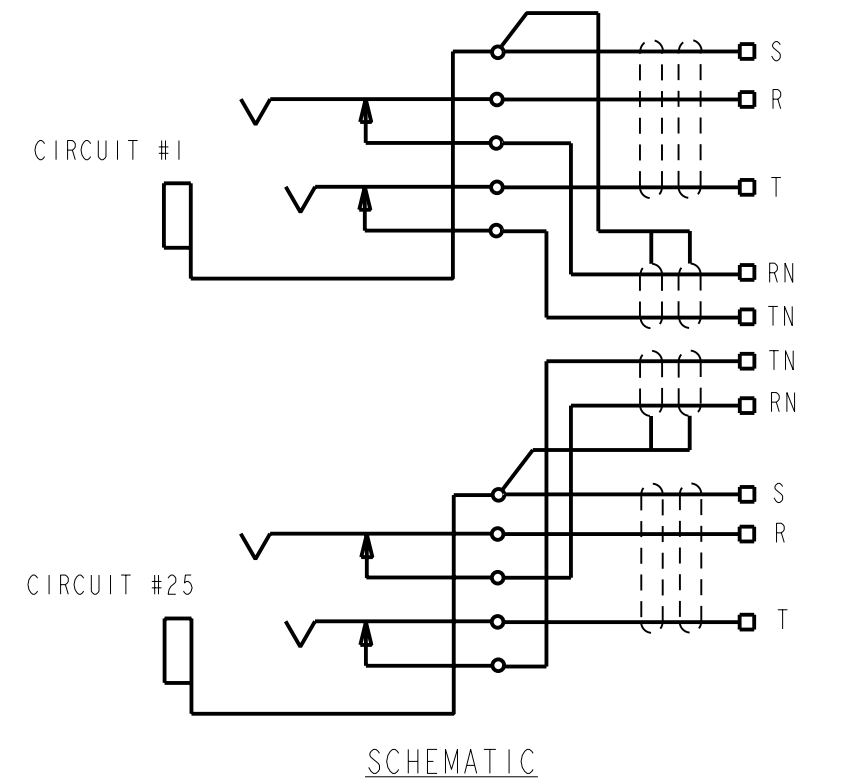
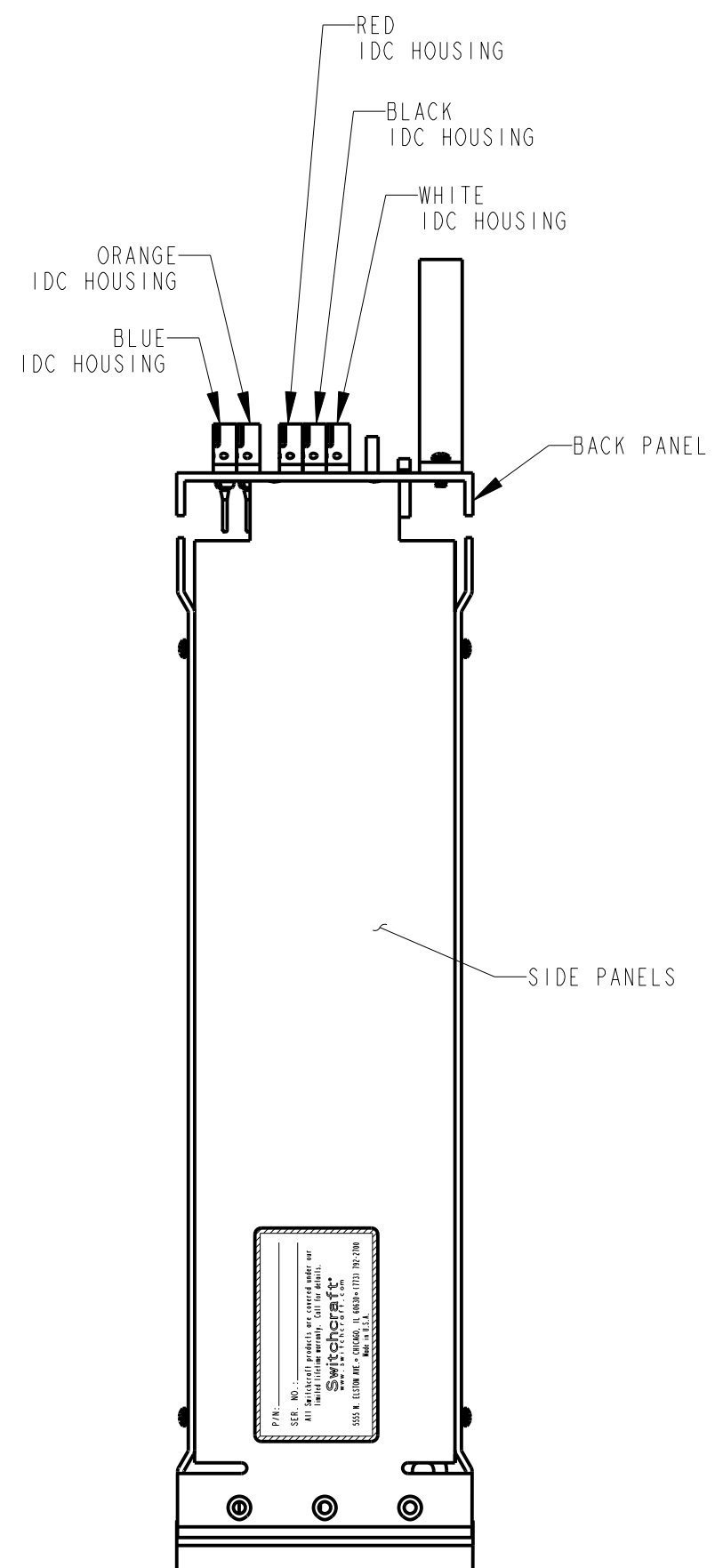
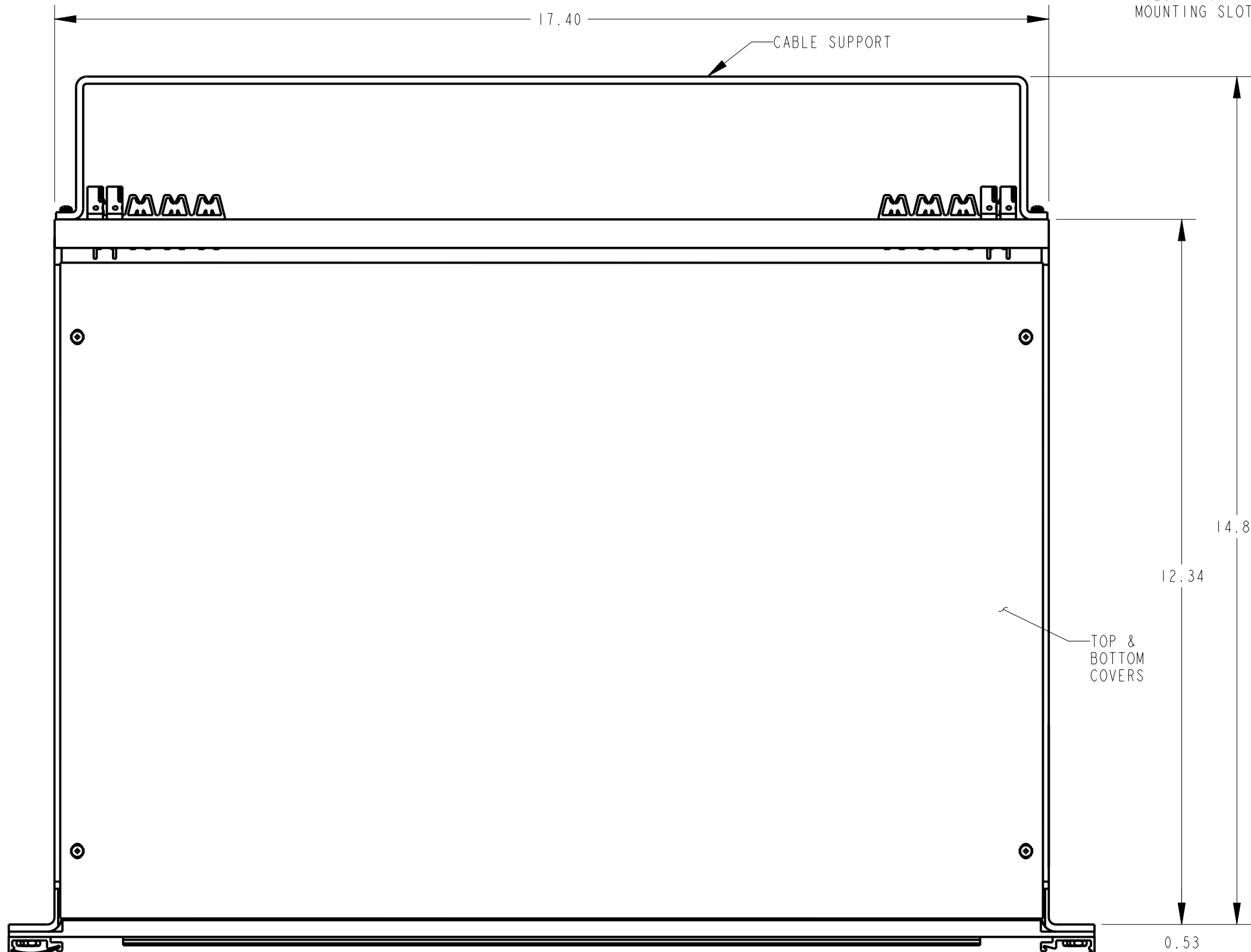
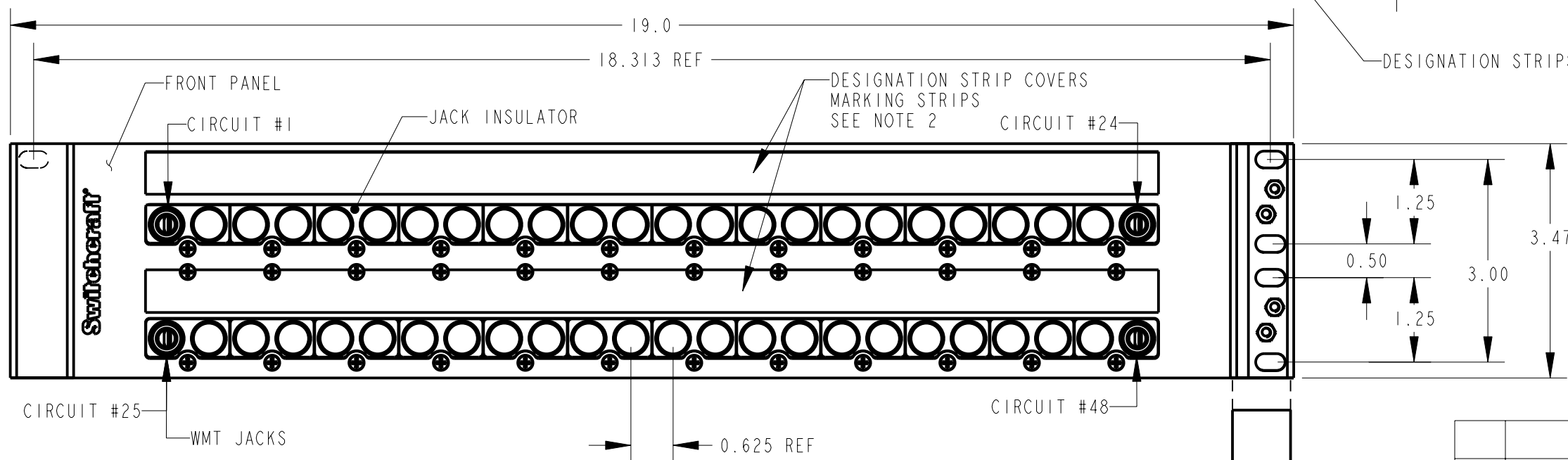


0.25 X 0.44 MOUNTING SLOTS TYP



SCHEMATIC



MARKING STRIP COVERS
MARKING STRIPS
SEE NOTE 2
(THESE PARTS REMOVED FOR CLARITY)

NOTES:

- MATERIALS:
FRONT PANEL - ALUMINUM, BLACK ANODIZE
TOP & BOTTOM COVERS - ALUMINUM, BLACK ANODIZE
SIDE PANELS - STEEL, BLACK EPOXY PAINT
BACK PANEL - ALUMINUM, BLACK ANODIZE
CABLE SUPPORT - STEEL, BLACK EPOXY PAINT
IDC HOUSING - THERMOPLASTIC, RED, BLACK, WHITE, ORANGE & BLUE
IDC TERMINALS - SPECIAL COPPER ALLOY, TIN PLATED
JACK INSULATORS - THERMOPLASTIC, BLACK
JACK BUSHING - COPPER ALLOY, NICKEL PLATED
JACK FRAME - STEEL, NICKEL PLATED
- MARKING STRIPS AND COVERS SHIPPED ASSEMBLED

CUSTOMER DRAWING

| REV | ECO NUMBER | DATE | BY | APVD |
|-----|--------------------------------|---------|----|------|
| F | 27083 | 1-25-13 | TO | TJK |
| E | 25352 | 5-23-06 | TO | TJK |
| D | 24497 | 6-20-03 | JL | EB |
| C | 24104 | 6-20-03 | JL | EB |
| B | 23588 | 1-17-01 | JL | JF |
| A | RELEASE TO PROD. ECO #22922 | 9-1-99 | MM | DK |

★ STAR SYMBOL DENOTES CRITICAL DIMENSION
UNLESS OTHERWISE SPECIFIED
1. ALL DIMENSIONS IN INCHES
- TWO PLACE DECIMALS ±0.01
- THREE PLACE DECIMALS ±0.005
- ANGLES ±1°
- ALL DIA. CONCENTRIC WITHIN 0.005 T.I.R.
2. FEATURES ON THE SAME CENTERLINE MUST BE ALIGNED WITHIN ±0.002
3. REMOVE ALL BURRS
DO NOT SCALE DRAWING

| | | | | |
|--|-------|-----------|---------|--------|
| THIS DRAWING DESCRIBES A DESIGN CONSIDERED PROPRIETARY IN NATURE, DEVELOPED AND MANUFACTURED BY SWITCHCRAFT INC. AND IS RELEASED ON A CONFIDENTIAL BASIS FOR IDENTIFICATION PURPOSES ONLY. | | | | |
| SIZE | WIDTH | MULT | LBS/M | TEMPER |
| FINISH | | MATERIAL | | |
| SPEC No. | | SPEC No. | | |
| FIRST USED ON | | SCALE | | |
| | | 1:2 | | |
| DATE DRAWN | BY | CHKD | APVD | |
| 1-SEP-99 | MM | 9-1-99 | 12-7-99 | |
| NAME | | PART No. | | REV |
| 2RU WIRED JACKFIELD | | MTP48K3NO | | F |

