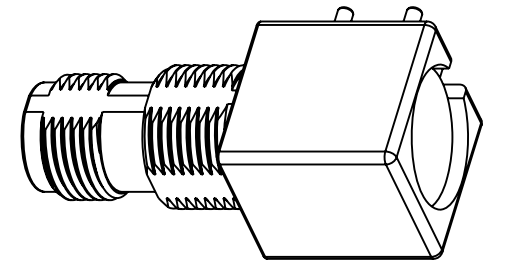
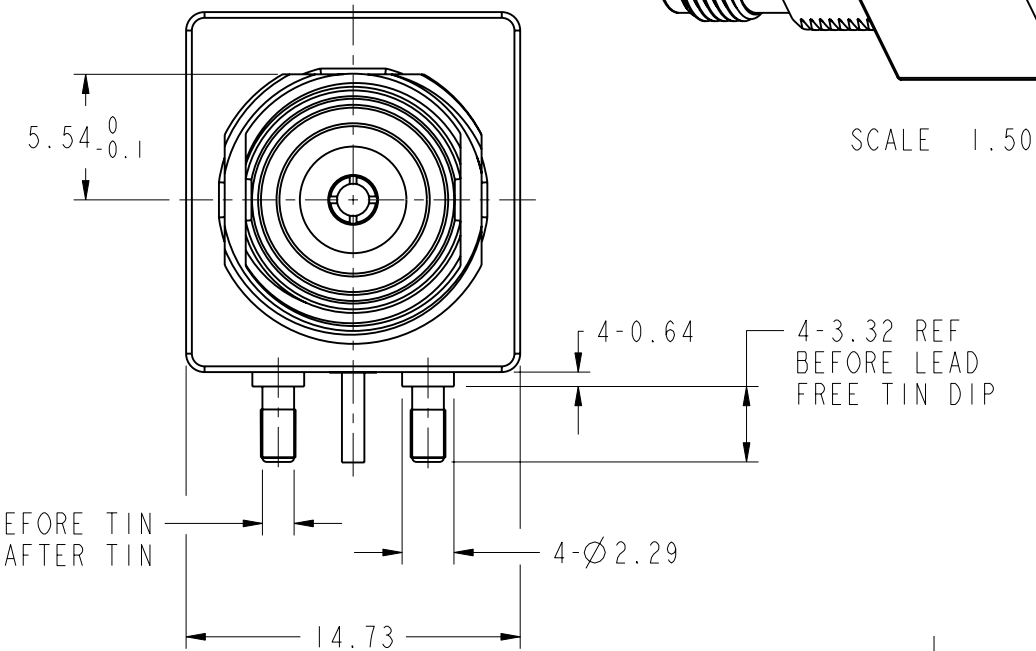
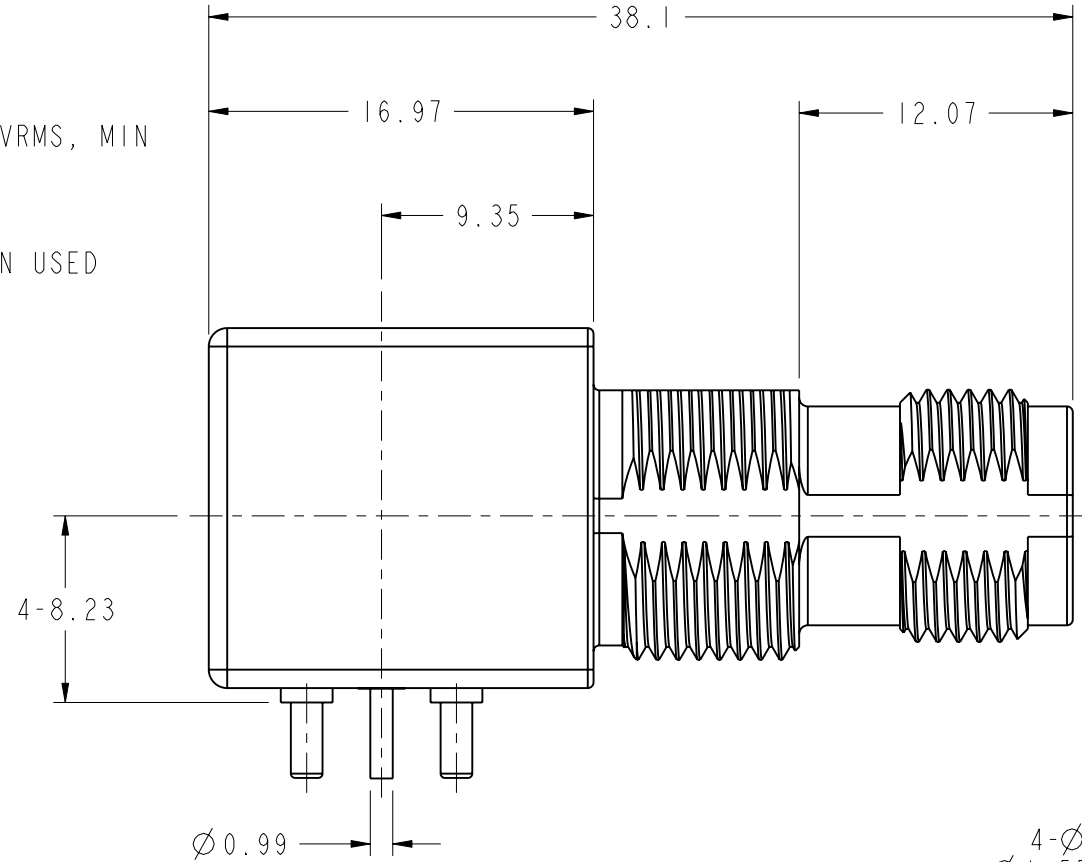


- NOTES:
- MATERIALS AND FINISHS(PLATING THICKNESS IN MICRO-INCHES):  
 BODY-ZINC DIECAST, NICKEL PLATING  
 CONTACT-BERYLLIUM COPPER,GOLD PLATING  
 INSULATOR-PTFE & PBT
  - ELECTRICAL:  
 A. IMPEDANCE:50 OHM  
 B. FREQUENCY RANGE: DC 0-11GHz  
 C. VSWR(RETURN LOSS):1.5MAX.  
 D. DIELECTRIC WITHSTANDING VOLTAGE:1500 VRMS, MIN
  - MECHANICAL:  
 A. DURABILITY: 500 CYCLES MIN.  
 B. TEMPERATURE RANGE:-40°C TO +155°C
  - THE LEGS ARE TIN DIPPED AND LEAD FREE TIN USED
  - MAX.PCB PANEL THICKNESS=2.54MM

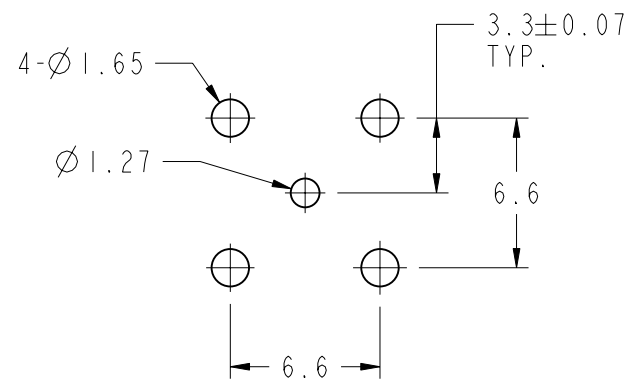
THIRD ANGLE PROJ.

REVISIONS

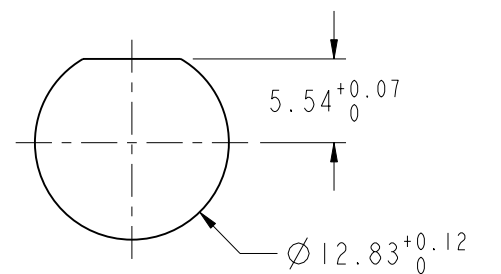
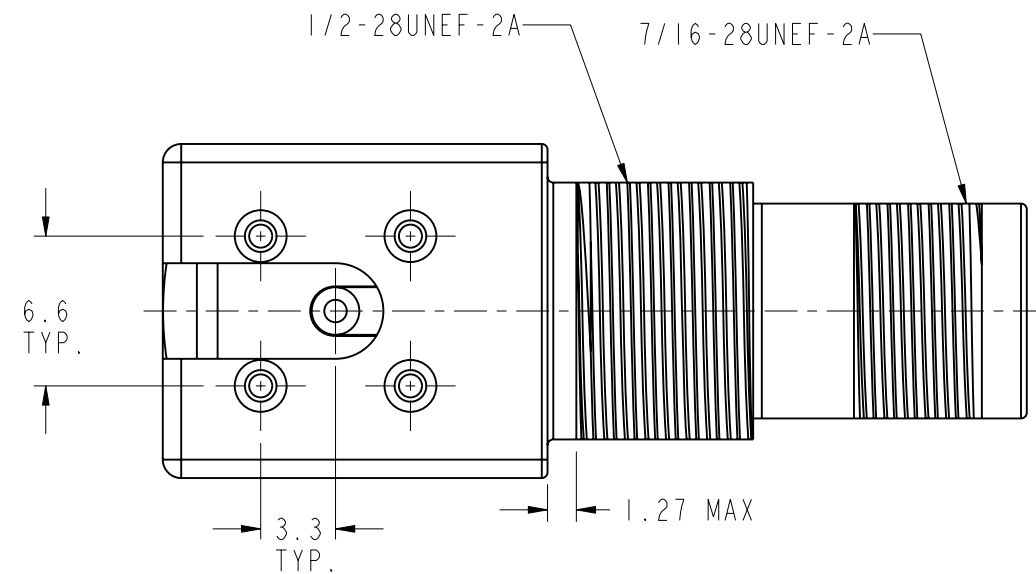
REV	DESCRIPTION	DATE	ECO	APPR
A	RELEASE TO MFG.	02-Jun-08	46532	MZ
B	BODY CHANGE WITH REAL P/N.	06-Jul-11	--	SCOTT
C	UPDATE NOTE 1 INSULATOR MATERIAL\RD-DMI306270IS2	09-Jul-13	--	HARRY
D	ADD DANBURY NUMBER 31-6294\RD-DMI407300IJ9	22-Sep-14	50129	SH



SCALE 1.500



RECOMMENDED  
PCB MOUNTING HOLE



RECOMMENDED  
MOUNTING HOLE

**CUSTOMER OUTLINE DRAWING**  
ALL OTHER SHEETS ARE FOR INTERNAL USE ONLY

UNLESS OTHERWISE SPECIFIED, DIMENSIONS ARE IN METRIC AND TOLERANCES ARE:  
 <0.5mm ±0.05mm    0.5 - 6mm ±0.1mm    6 - 30mm ±0.2mm    30 - 120mm ±0.3mm    ANGLES ±1°

NOTICE - These drawings, specifications, or other data (1) are, and remain the property of Amphenol corp. (2) must be returned upon request; and (3) are confidential and not to be disclosed to any person other than those to whom they are given by Amphenol Corp. The furnishing of these drawings, specifications, or other data by Amphenol Corp., or to any other person to anyone for any purpose is not to be regarded by implication or otherwise in any manner licensing, granting rights to permitting such holder or any other person to manufacture, use or sell any product, process or design, patented or otherwise, that may in any way be related to or disclosed by said drawings, specifications, or other data.

MATERIAL SEE NOTE	DRAWN JONA	DATE 12-Aug-14	TITLE TNC R/A PCB BULKHEAD		Amphenol RF www.amphenolrf.com	
REFERENCE AND CONFIGURATION LEVEL:	ENGINEER GISSY	DATE 02-Jun-08				
FINISH	APPROVED SCOTT	DATE 12-Aug-14	SCALE: 3.0:1.0	SHEET 2 OF 2	DRAWING NO. T6252PI-006-NT3G-50	ITEM NO. 06252AAQ90NA5F
	I:\TNC\T6252PI-006-NT3G-50		DWG SIZE B	REV D	PART NO. 31-6294	