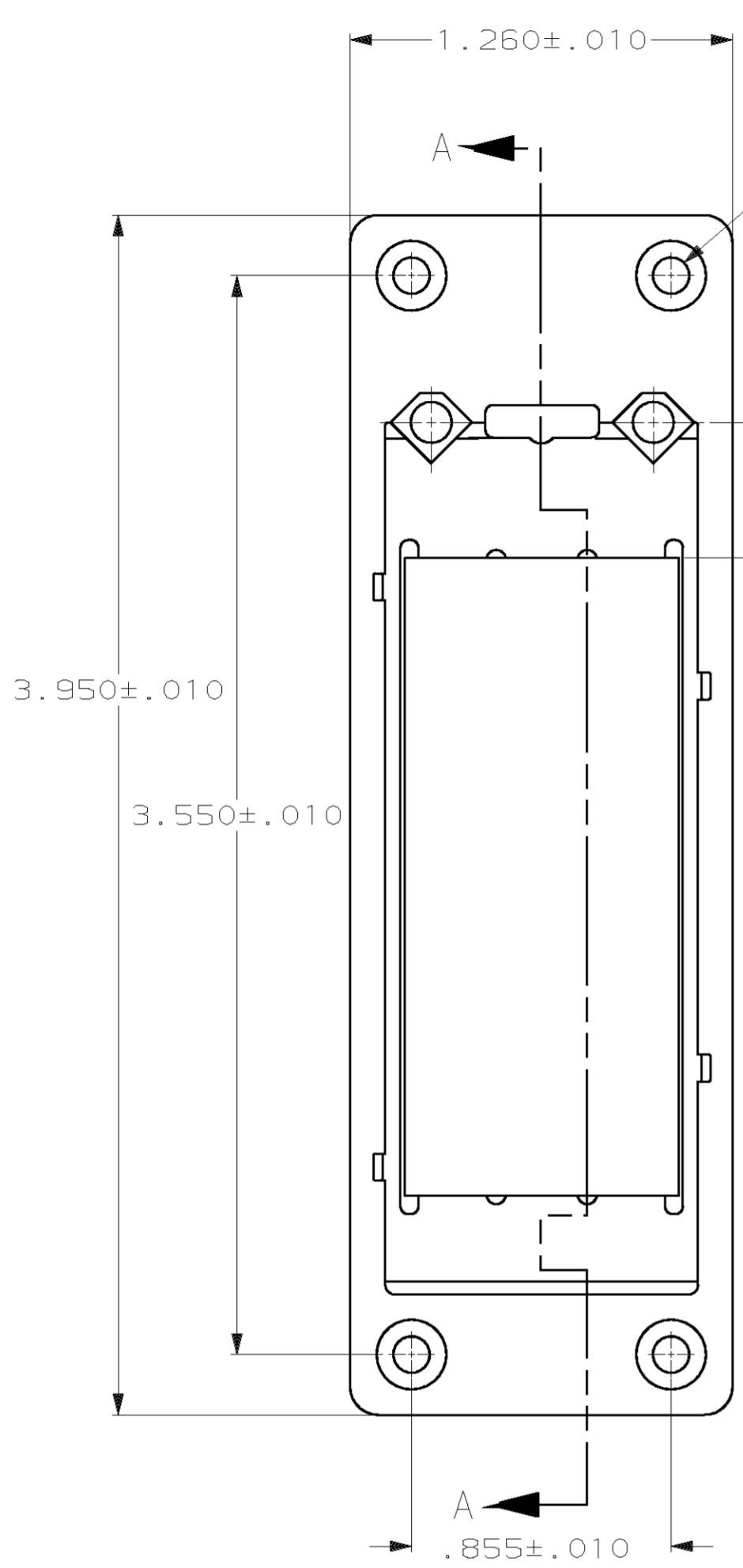
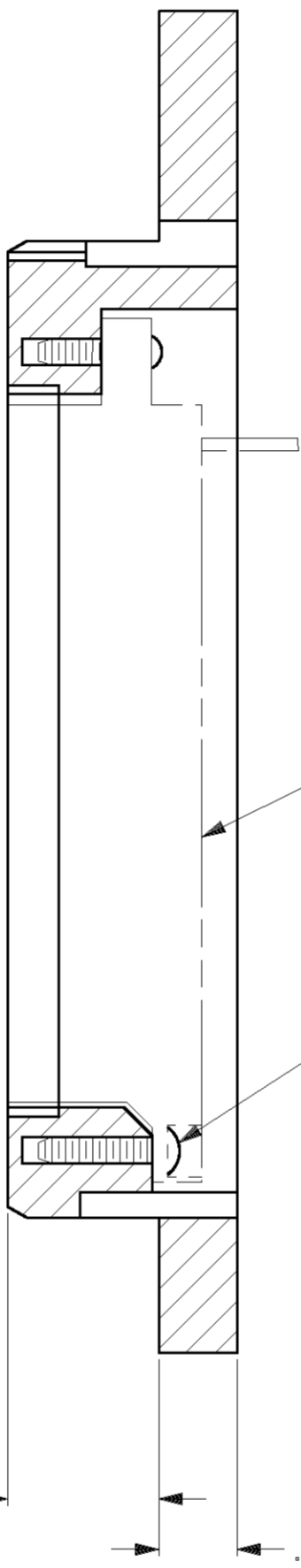


| LOC | DIST | P | F | ZONE | LTR | REVISIONS | DATE | APPD |
|-----|------|---|---|------|-----|--------------------------|------|------|
| DF | EO | | | | G | REV PER 063D-0362-01 JMK | 6-03 | RG |

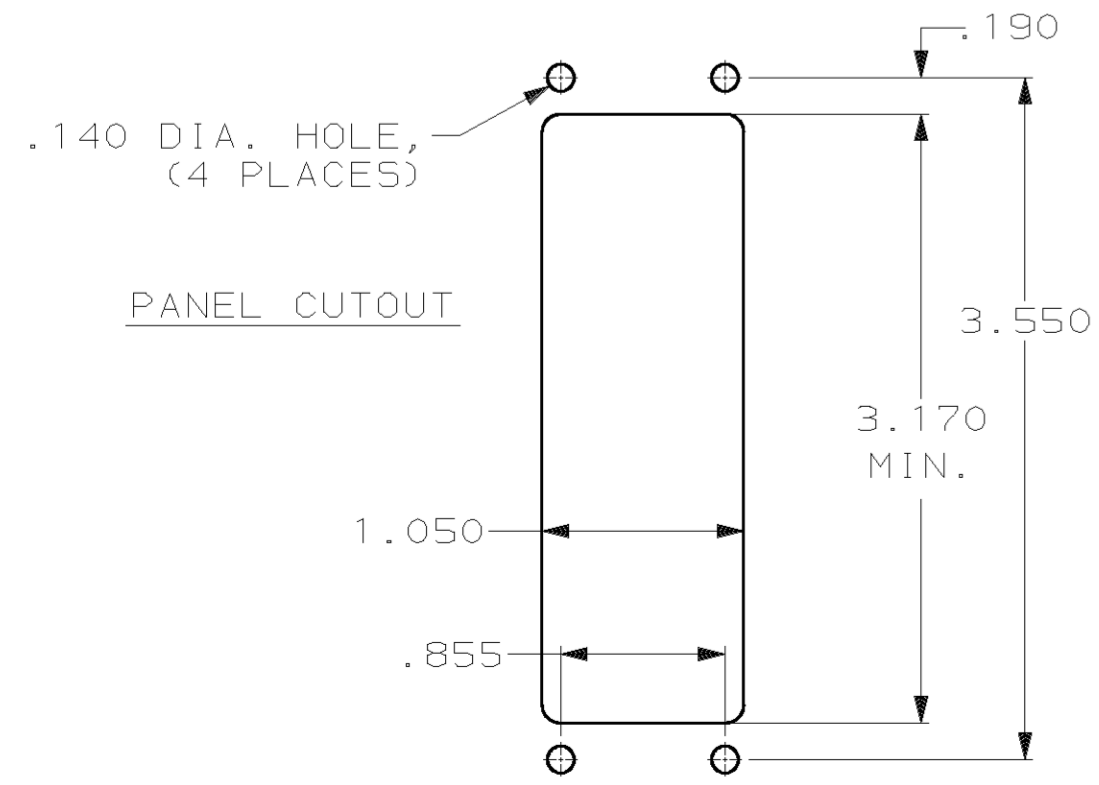
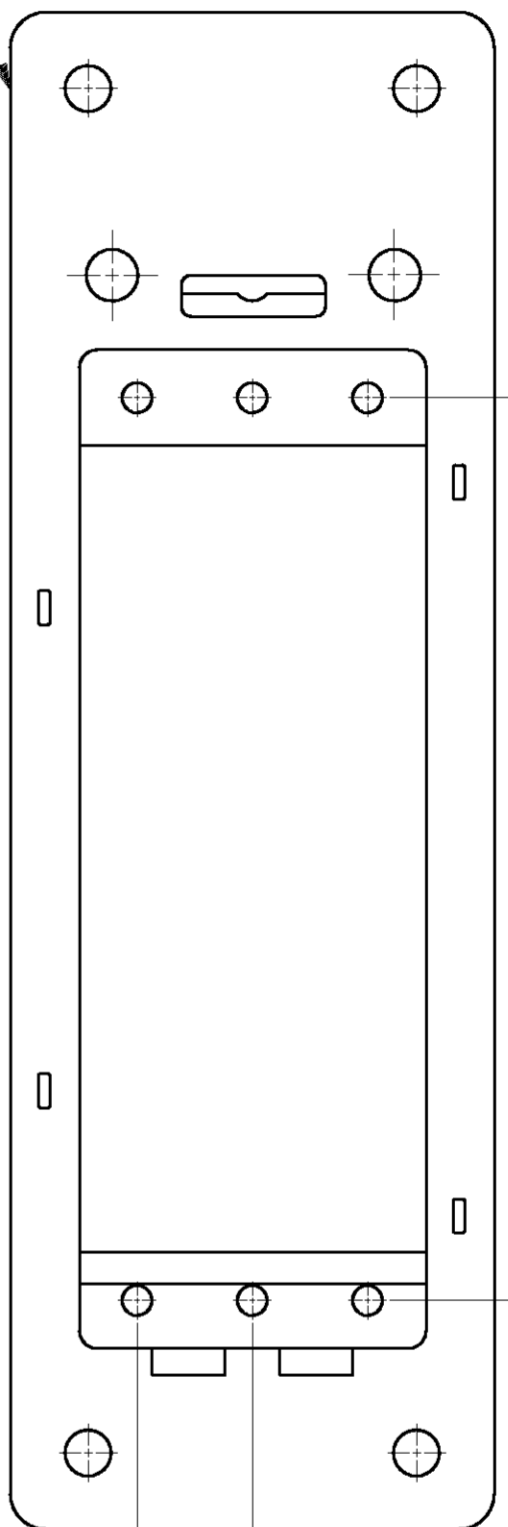


MTG. HOLES FOR #4 SCREWS

RECEPTACLE HOUSING,
 MAT'L: GLASS REINFORCED
 THERMOPLASTIC
 COLOR: BLACK



SECTION A-A



- PARTS PACKAGED UNASSEMBLED.
- RECPT. MODULE ASSY. SHOWN FOR REF. ONLY, MUST BE ORDERED SEPARATELY.
- AMP P/N & DATE CODE INK STAMPED ON KIT BAG.
- AMP PART NO., DATE CODE AND CUST. PART NO. INK STAMPED ON KIT BAG.

DO NOT SCALE PRINT. UNLESS SPECIFIED DIMENSIONS IN INCHES TOLERANCES ON:

| | | |
|-----------|---|------|
| 2 PLC DEC | ± | - |
| 3 PLC DEC | ± | .005 |
| ANGLES | ± | - |

MATERIAL: -
 FINISH: -
 WEIGHT: -

| | | |
|------------------|----------|-----------|
| DR | 12-19-88 | T. WIEST |
| CHK | 1-3-89 | D. MUMMEY |
| APPD | 1-3-89 | D. MUMMEY |
| APPD | 1-3-89 | D. MUMMEY |
| PRODUCT SPEC | - | |
| APPLICATION SPEC | - | |
| WEIGHT | - | |

| | | |
|--------------|--------------|----------|
| 3 | | 207356-2 |
| 4 | 218A4549P1 | 207356-1 |
| INK STAMPING | CUSTOMER P/N | PART NO |

| | | |
|---|---------|------------|
| AMP INCORPORATED Harrisburg, Pa. 17105 | | |
| NAME | | |
| RECEPTACLE KIT, SIZE 1 (FOR WIRE WRAP) | | |
| SIZE | FSCM NO | DRAWING NO |
| C | 00779 | 207356 |
| SCALE | 2:1 | SHEET |
| | | 1 OF 1 |