

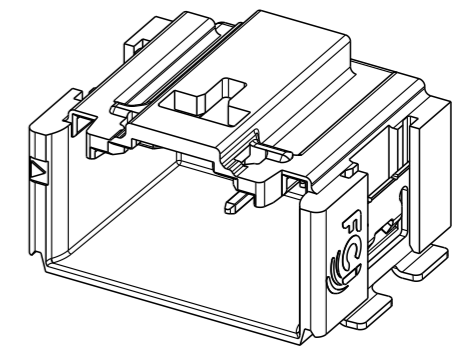
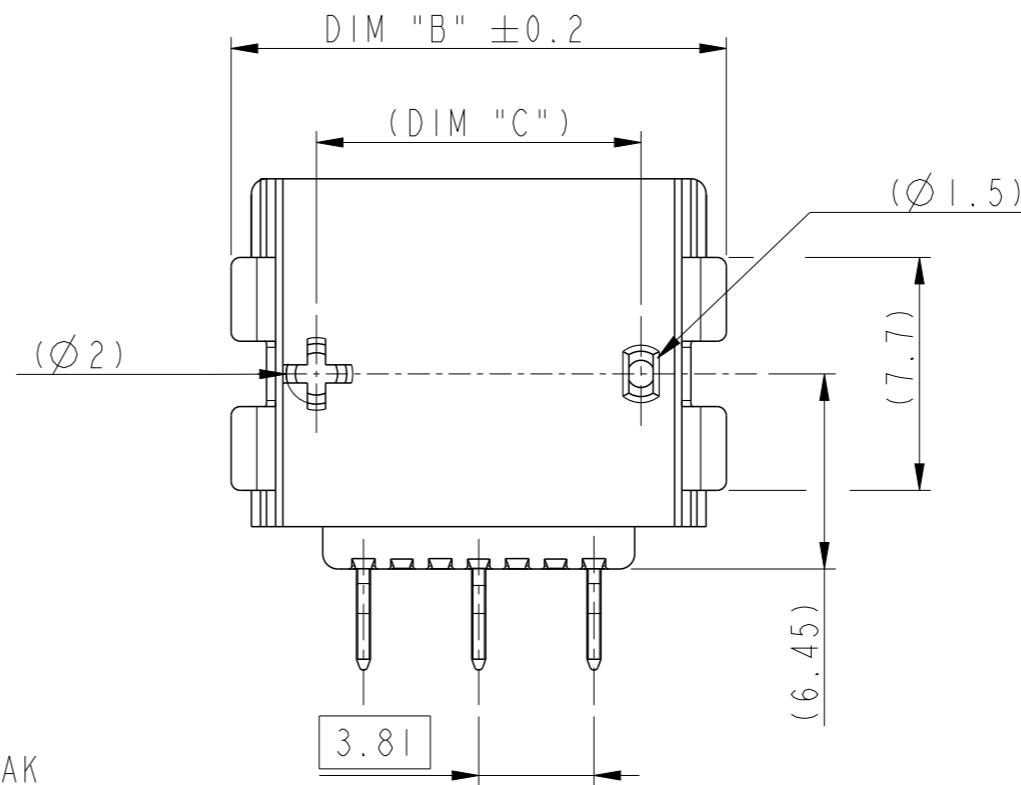
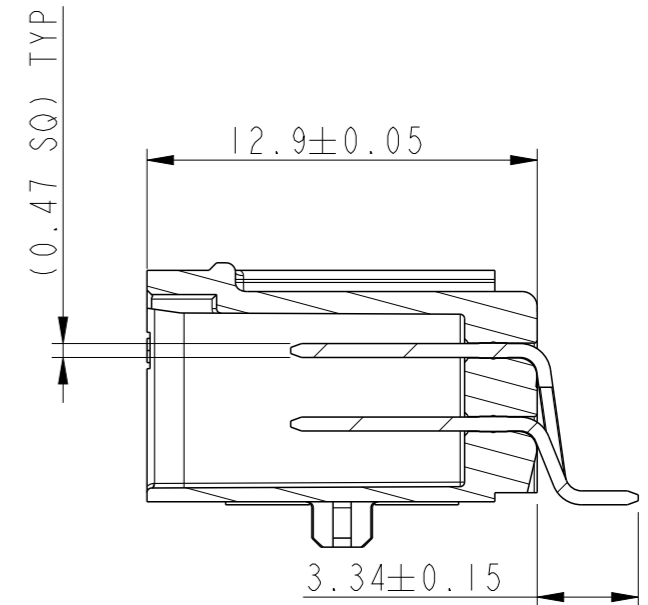
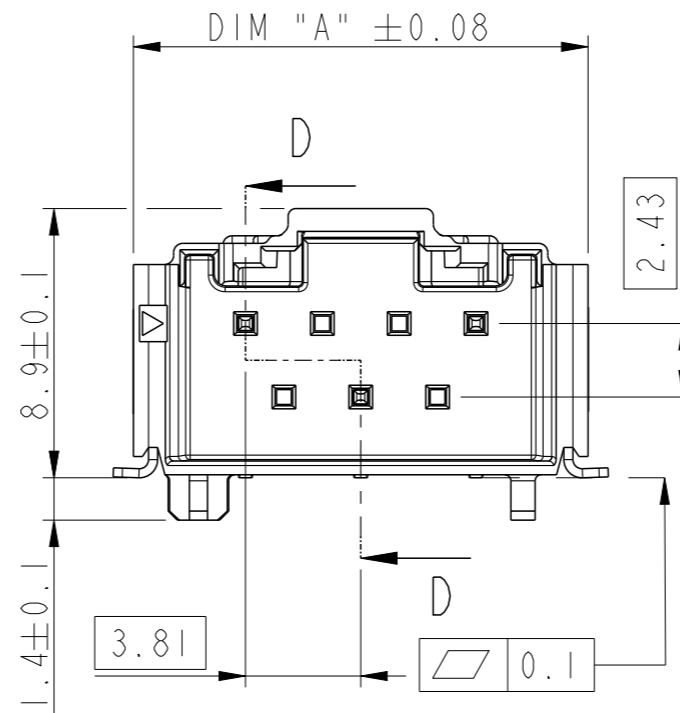
PRODUCT DESCRIPTION CODE :

10170436-1XXZZK LF

- RoHS COMPATIBLE, SEE NOTE 5
- FOR CUSTOMER CODE :
 BLANK = GENERAL USE
 V = CUSTOMER DEDICATED PART
- PACKAGING :
 K = TAPE & REEL
- NUMBER OF CONTACTS : SEE TABLE
- NUMBER OF POSITIONS : SEE TABLE
- PLATING :
 1 = 3µm MIN MATTE TIN (PREPLATED)
 2 = 3µm MIN MATTE TIN (POST-PLATED)
 3 = 0.76µm MIN GOLD (CONTACT AREA)
 ALL OVER NICKEL UNDERLAYER

NOTES:

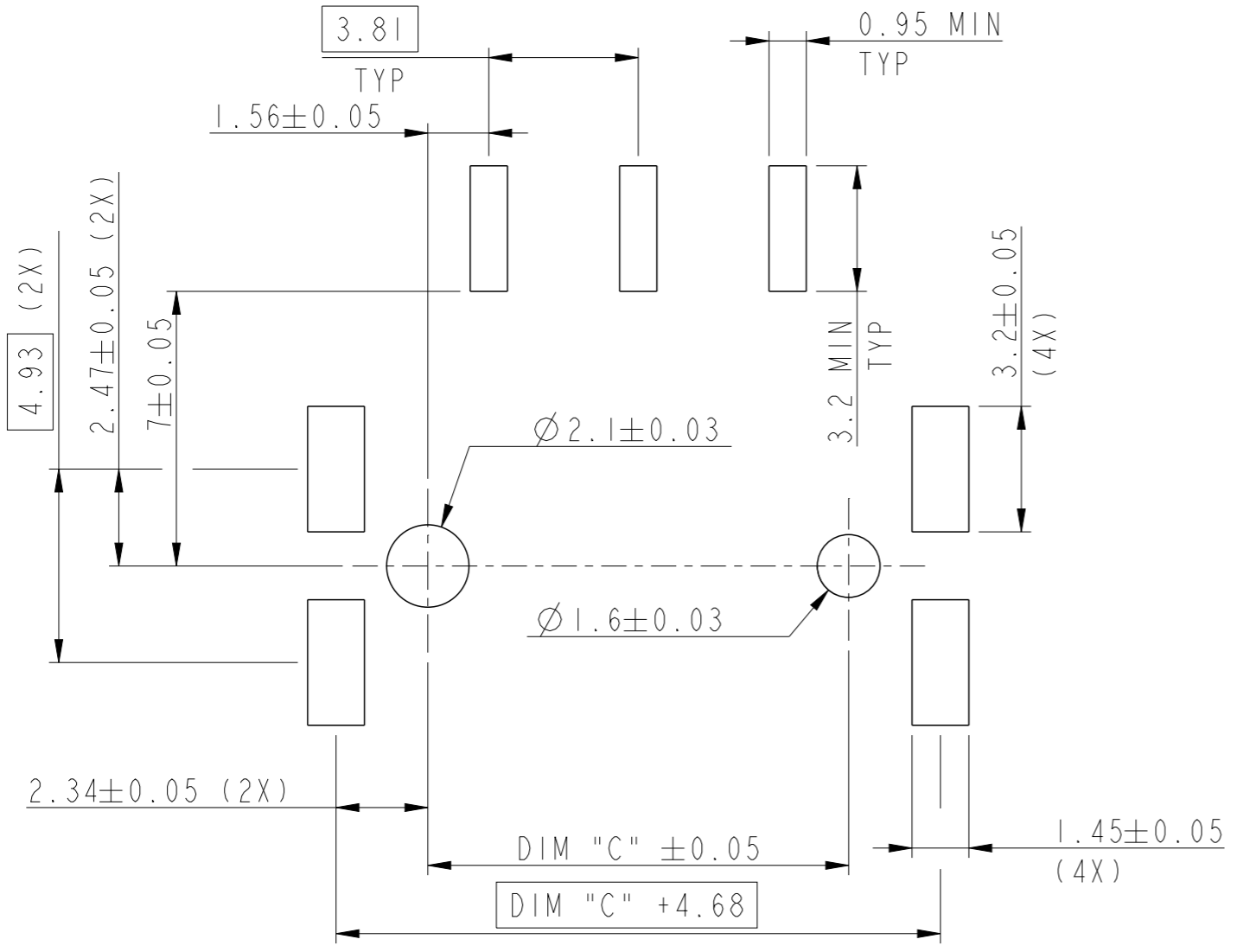
- 1 - MATERIAL:
 HOUSING : HIGH TEMPERATURE THERMOPLASTIC
 COLOR ORANGE (RAL2003) UL94 V-0
 REGRIND < 30%
 PIN : HIGH CURRENT COPPER ALLOY
- 2 - TO BE MATED WITH MINITEK µSPACE HIGH VOLTAGE RECEPTACLE SERIES 10170389
- 3 - VOLTAGE UP TO 400V WITH PCB CTI ≥ 600 (Class 1)
- 4 - PRODUCT SPECIFICATION : GS-12-1821
 APPLICATION SPECIFICATION : GS-20-0513
 PACKAGING SPECIFICATION : GS-14-2790
- 5 - RoHS COMPATIBLE PRODUCT SPECIFICATIONS
 - a - PLATING:
 "LF" MEANS THE PRODUCT IS LEAD FREE,
 3µm MINIMUM MATTE TIN OVER 1.27µm MINIMUM NICKEL UNDERPLATE.
 - b - MANUFACTURING PROCESS COMPATIBILITY:
 THE HOUSING WILL WITHSTAND EXPOSURE TO 260°C PEAK TEMPERATURE FOR 30 SECONDS MAX IN A CONVECTION, INFRA-RED OR VAPOR PHASE OR REFLOW OVEN.
 - c - LABELLING :
 MEETS PACKAGING SPECS AS PER GS-14-920
 - d - LEGAL STATEMENT :
 SEE GS-47-0004.



SCALE 3:1

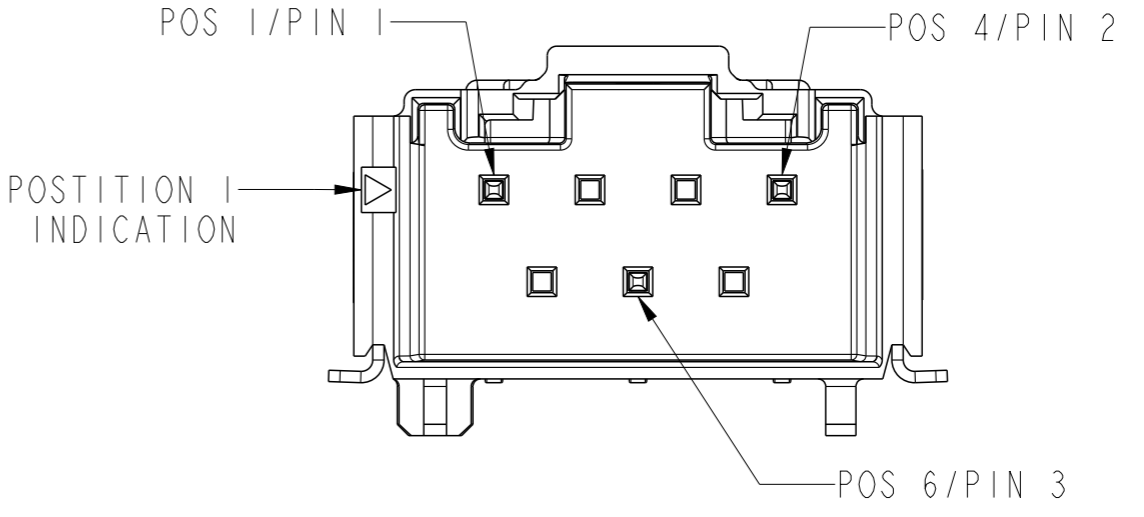
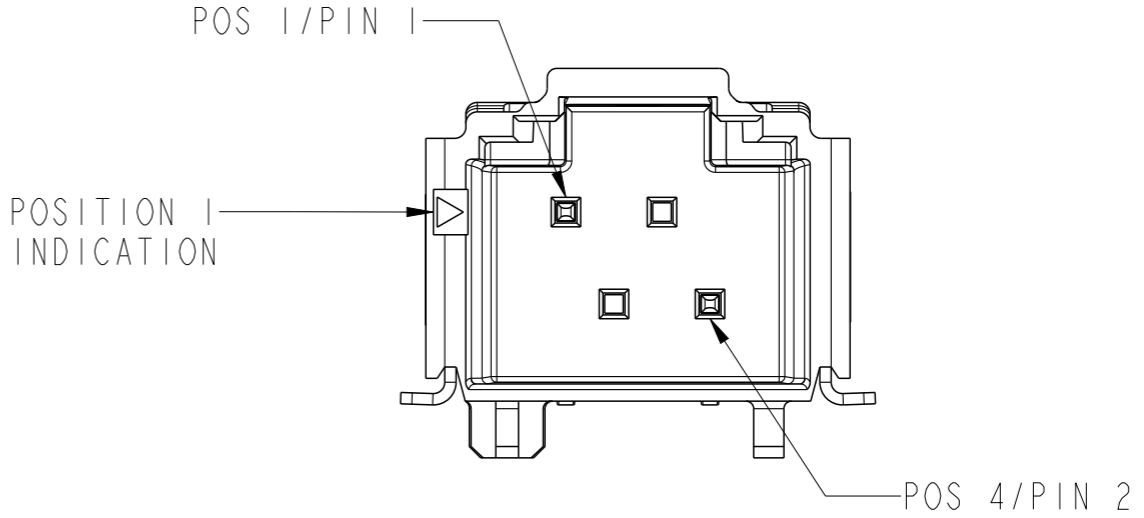
spec ref	GS-12-1821	dr	Huang, Yin-Chi	2023/01/16	projection	mm	size	A3	scale	4:1
tolerance std	ISO 406 ISO 1101	eng	Moisan, Gwenda	2023/03/16			ecn no		rel level	
surface	linear	chr	Huang, Yin-Chi	2023/03/16			Released			
	angular	appr	Vallière, Jérôme	2023/03/16	product family	dwg no		rev		
	0.X ±0.3 0.XX ±0.10 0.XXX ±0.005 0° ±2°				HEADER ASSEMBLY - 400 V MINITEK µSPACE STAGGERED TOP LATCH		10170436		A	
ISO 1302		cat. no.			Product - Customer Drw		sheet 1 of 3			

PART NO.	AVAILABILITY	NO. OF POSN	NO. OF CONTACTS	DIM "A"	DIM "B"	DIM "C"
10170436-10402KLF	ON DEMAND	04	02	11.22	12.55	6.92
10170436-10703KLF	ON DEMAND	07	03	15.03	16.36	10.73
10170436-11004KLF	TOOLED	10	04	18.84	20.17	14.54
10170436-11305KLF	ON DEMAND	13	05	22.65	23.98	18.35
10170436-11606KLF	ON DEMAND	16	06	26.46	27.79	22.16

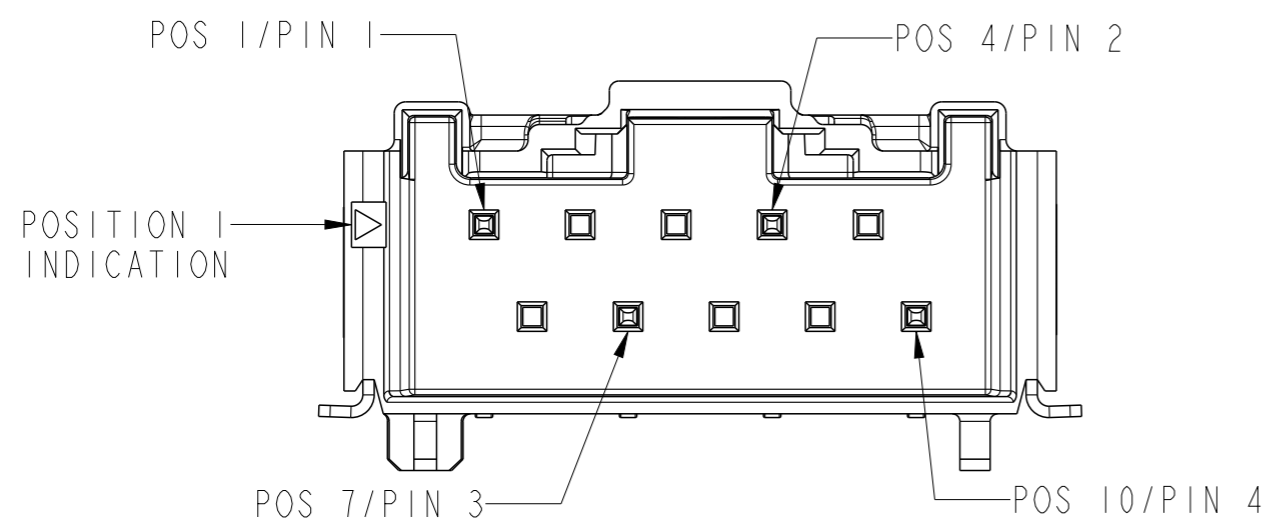


RECOMMENDED PCB LAYOUT
FOR STENCIL THICKNESS SEE APPLICATION SPEC

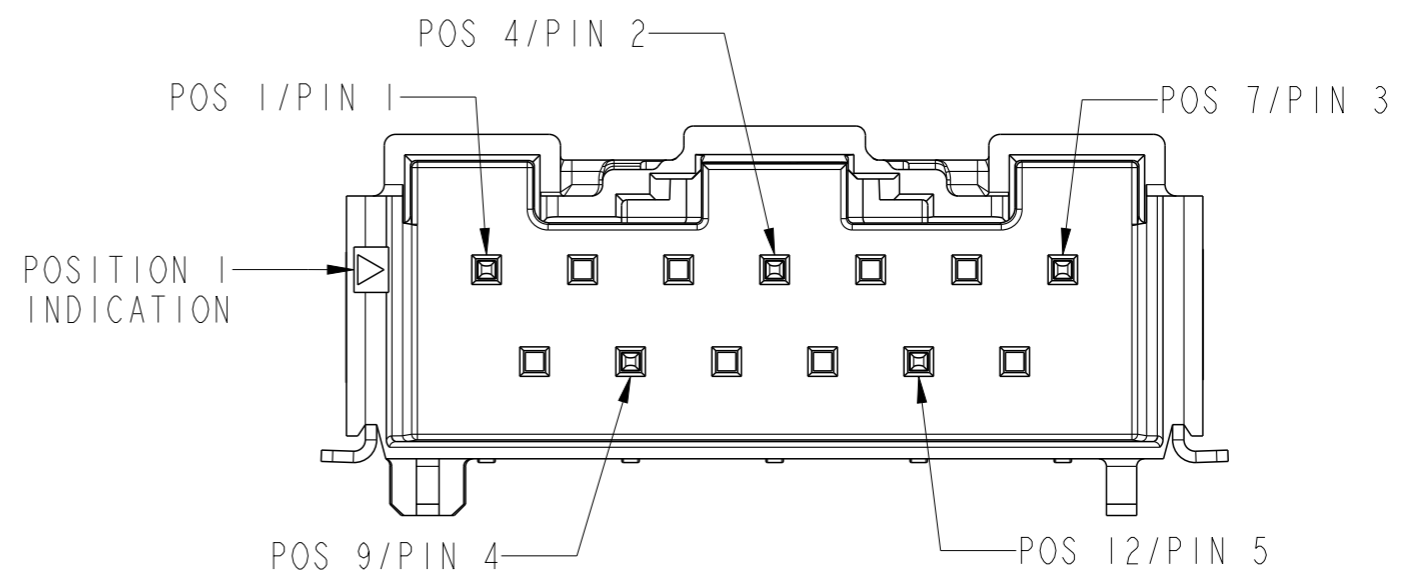
SCALE 6:1



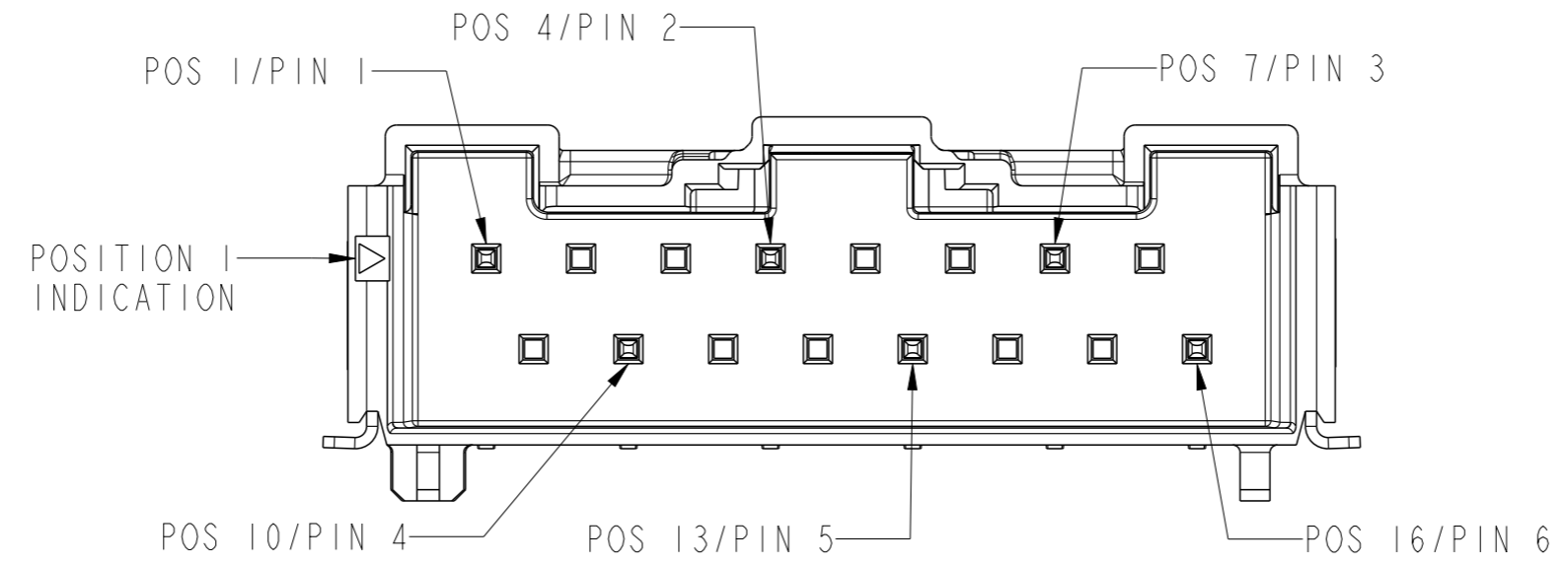
spec ref	GS-12-1821	dr	Huang, Yin-Chi	2023/01/16	projection	mm	size	A3	scale	5:1
tolerance std	ISO 406 ISO 1101	eng	Moisan, Gwenda	2023/03/16			ecn no		rel level	
TOLERANCES UNLESS OTHERWISE SPECIFIED		chr	Huang, Yin-Chi	2023/03/16			Released			
surface	linear	appr	Vallière, Jérôme	2023/03/16	product family	dwg no		rev		
ISO 1302	angular			HEADER ASSEMBLY - 400 V MINITEK μSPACE STAGGERED TOP LATCH		10170436		A		
		cat. no.		Product - Customer Drw		sheet 2 of 3				



POSITION NUMBER INDICATION FOR 10POS VERSION



POSITION NUMBER INDICATION FOR 13POS VERSION



POSITION NUMBER INDICATION FOR 16POS VERSION

spec ref	GS-12-1821	dr	Huang, Yin-Chi	2023/01/16	projection	mm	size	A3	scale	5:1
tolerance std	ISO 406 ISO 1101	eng	Moisan, Gwenda	2023/03/16			ecn no		rel level	
TOLERANCES UNLESS OTHERWISE SPECIFIED		chr	Huang, Yin-Chi	2023/03/16			-		Released	
surface	linear	appr	Vallière, Jérôme	2023/03/16	product family	-		dwg no	10170436	rev
ISO 1302	angular			Amphenol FCI HEADER ASSEMBLY - 400 V MINITEK μSPACE STAGGERED TOP LATCH		-		Product - Customer Drw		A sheet 3 of 3
	0.X	±0.3	amphenol-icc.com	cat. no.	-	-		-		
	0.XX	±0.10								
	0.XXX	±0.005								
	0°	±2°								