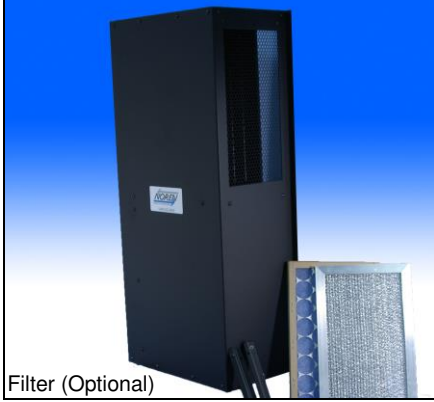
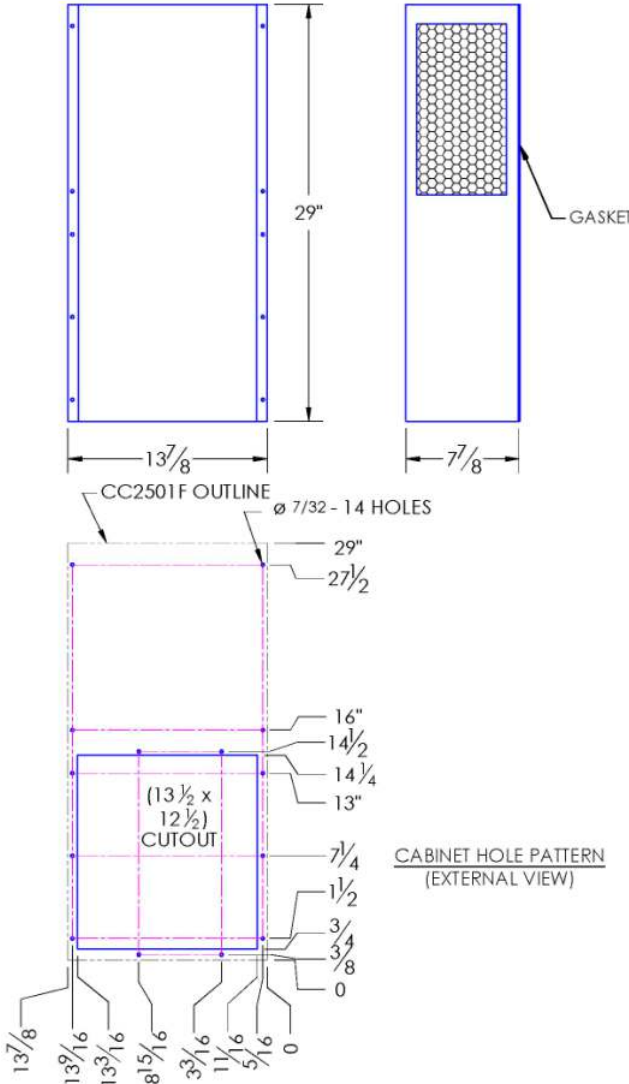


CC2501F-WL-TYPE 4 COMPACT CABINET COOLER AIR-TO-AIR FLUSH-MOUNT MODEL

Model	Weight	Rating @ 20°C ΔT BTU / hr	Amps Current Draw at 115 volts AC	Fan Size 4 x 6"	Dimensions-Inches (H x W x D)
CC2501F-WL-TYPE 4	30 lbs	7,100	1.2	4 x 6"	29 x 13-7/8 x 7-7/8

Efficiency: 104.0 Watts / °C ΔT based on average internal cabinet temperature.



SPECIFICATIONS

1. UL Listed for TYPE 4 environments.
2. CC2501F Rated cooling: 2,080 Watts at 20°C ΔT (104.0 W/°C, mounted to an uninsulated 72" x 36" x 24" cabinet.)
3. Designed for surface mounting on outside of cabinet.
4. Housing is aluminum (color is black). Stainless steel available (TYPE 4X).
5. Equipped with mounting gasket to maintain the TYPE 4X integrity of your cabinet.
6. Pressure tested to insure liquid tight seal.
7. External fan is UL rated for Wet Locations / Outdoor use (WL). This new fan is the Noren Universal Fan (UF).
8. Internal 6-ft. power cord with 3-prong plug is standard for AC powered units.
9. Available with VAC (115 & 230) and VDC (12, 24, & 48) fans. DC powered units include junction box, consult website.
10. Vertical mounting (as shown) is standard. Call for horizontal applications.
11. Optional: inlet air-filter kit available upon request.
12. For design, quote, and sizing assistance: call (650) 322-9500.





UL File #SA9567 Proudly made in USA ISO 9001:2008 FM 554949


 1010 O'Brien Drive
Menlo Park, CA 94025
650 322-9500
norenproducts.com

CC2501F-WL-TYPE 4

CCS-PBD-7.2.2-883611-B

Subject to change without notice.