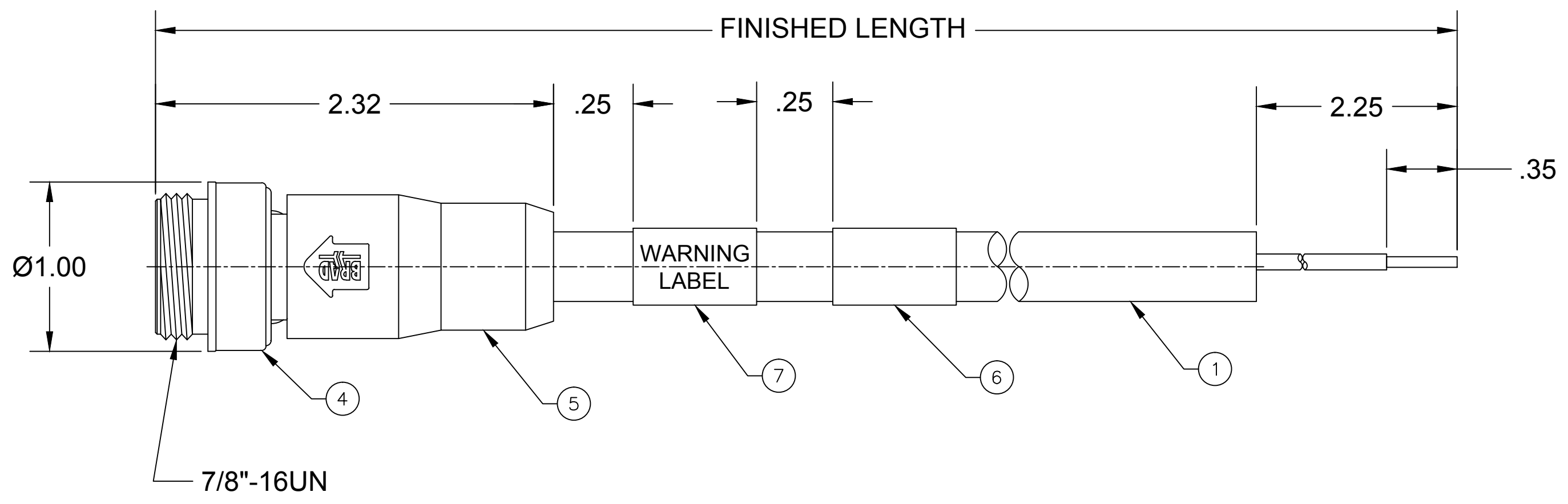
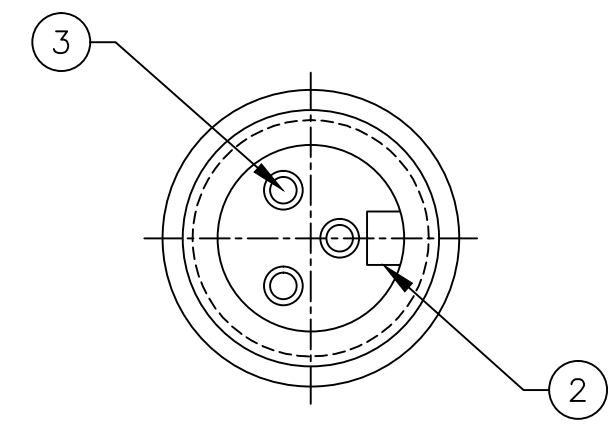


(B1) CHART

PART NO.	ENGINEERING NO.	FINISHED LENGTH
1300062448	103006K20M010E	1.0M+55.6mm-0 [3'3"+2.19-0]
1300062395	103006K20M020E	2.0M+88.9mm-0 [6'7"+3.50-0]



- NOTES:**
- MATERIAL: AS NOTED
 - FINISH: AS NOTED
 - ELECTRICAL:
CURRENT RATING: 15A
VOLTAGE : 500V PER IEC 60664 (B1)
VOLTAGE: 600V PER UL 2237
 - TEMP RATING: -20°TO +90°C
 - PROTECTION: IP67 (WHEN MATED)
 - UL 2237 & CULUS LISTED, FILE NO. E258922
 - ALL DIMS ARE FOR REFERENCE UNLESS NOTED OTHERWISE

103006K20M010E

OVERMOLD COLOR = RED

LENGTH
M001 = .1 METER
M010 = 1 METER
M100 = 10 METER

(B1)

CABLE LENGTH TOLERANCES

>.3M [1FT]:	+19mm-0 [+ .75in-0]
.3 - .9M [1 - 3FT]:	+44.5mm-0 [+1.75in-0]
.9 - 1.8M [3 - 6FT]:	+55.6mm-0 [+2.19in-0]
1.8 - 3.7M [6 - 12FT]:	+88.9mm-0 [+3.50in-0]
3.7 - 7.3M [12 - 24FT]:	+165.1mm-0 [+6.50in-0]
7.3-14.6M [24 - 48FT]:	+317.5mm-0 [+12.50in-0]
14.6 - 30.5M [48-100FT]:	+622.3mm-0 [+24.50in-0]
OVER 30M [100FT]:	+2% OF FINISHED LENGTH

ITEM	DESCRIPTION	MATERIAL	FINISH
7	WARNING LABEL	VINYL	ORANGE
6	WRAP LABEL	VINYL	BLACK/YELLOW
5	OVERMOLD	PVC	RED
4	COUPLING	ZINC DIE-CAST	BLACK
3	CONTACT PIN	COPPER ALLOY	GOLD PLATED
2	MALE INSERT (A-SIZE)	PVC	BLACK
1	CABLE, 14/3 TC-ER	TPE JACKET	BLACK

IEC VOLTS WAS 400, ADD CHART AND TOLS EC NO: IPG2017-0882 DRWN: RSTONE 3/29/17 CH'KD: MZIELIN 2017/04/10 APPR: BWOODMAN2014/12/08	QUALITY SYMBOL	GENERAL TOLERANCES (UNLESS SPECIFIED)	DIMENSION STYLE	SCALE	DESIGN UNITS	THIRD ANGLE PROJECTION
	▼=0 ▽=0	4 PLACES ±--- ±--- 3 PLACES ±--- ±--- 2 PLACES ±--- ±--- 1 PLACE ±--- ±---	INCH	NTS	INCH	
	REV	ANGULAR ±---° DRAFT WHERE APPLICABLE MUST REMAIN WITHIN DIMENSIONS	DRAWN BY DATE BARDEN 2014/11/26 CHECKED BY DATE RSTONE 2014/12/5 APPROVED BY DATE JFMURPHY 2014/12/08	TITLE MINI-CHANGE ASSEMBLY 3P M/MP STRAIGHT #14AWG CABLE		
	B1	SIZE C	MATERIAL NO. ---	MOLEX INCORPORATED DOCUMENT NO. SD-130061-028 SHEET NO. 1 OF 1		

THIS DRAWING CONTAINS INFORMATION THAT IS PROPRIETARY TO MOLEX INCORPORATED AND SHOULD NOT BE USED WITHOUT WRITTEN PERMISSION