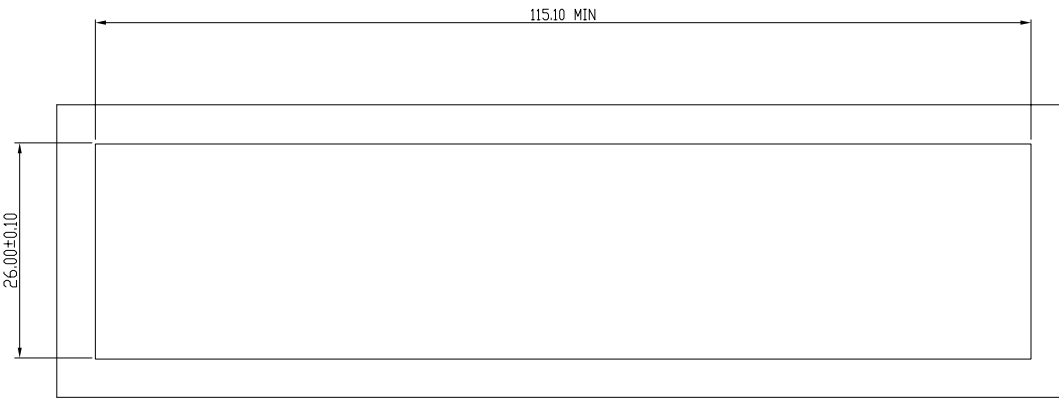


1. FULL RADIUS TYP. ON END OF PINS TO ASSIST ENTRY INTO PCB HOLES.
2. FREE OF BURRS AND OVERHANGS.

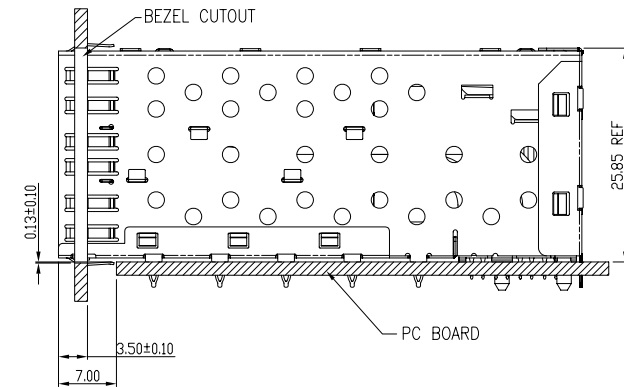
Qty Per:	TRAY	CARTON		
	3	18		
PART NUMBER	STATEMENT			
SFP0-3000-L	INNER/OUTER LIGHT PIPES			
	INNER LIGHT PIPES			
	OUTER LIGHT PIPES			
No.	DESCRIPTION	Q'ty	MATERIAL	PLATING
01	SFP CAGE (Non-Logo)	1	COPPER ALLOY	
02	CONNECTOR	8	HIGH TEMP/COPPER ALLOY	GOLD
03	LIGHT PIPES	8	POLYCARBONITE	

DETACHED LISTS	MM (INCH)	RoHS Compliant		Pulse A TECHNITROL COMPANY	
	TOLERANCES EXCEPT AS NOTED	TITLE			
	MM	W/LIGHT PIPES			
	.0 ± 0.25	±	SFP 2 by 8 CAGE+CONNECTOR_P		
	.00 ± 0.20	±	DFTD Jack		
	.000 ± 0.10	±	DRAWING NO. CSFP0-3000-L		
	ANGLES ± 0.5	DATE 1/05/2010			
		SCALE : 1		DO NOT SCALE DRAWING	SHEET 1 OF 4
	THIRD ANGLE PROJECTION			SIZE A3	REV 0

8 | 7 | 6 | 5 | 4 | 3 | 2 | 1

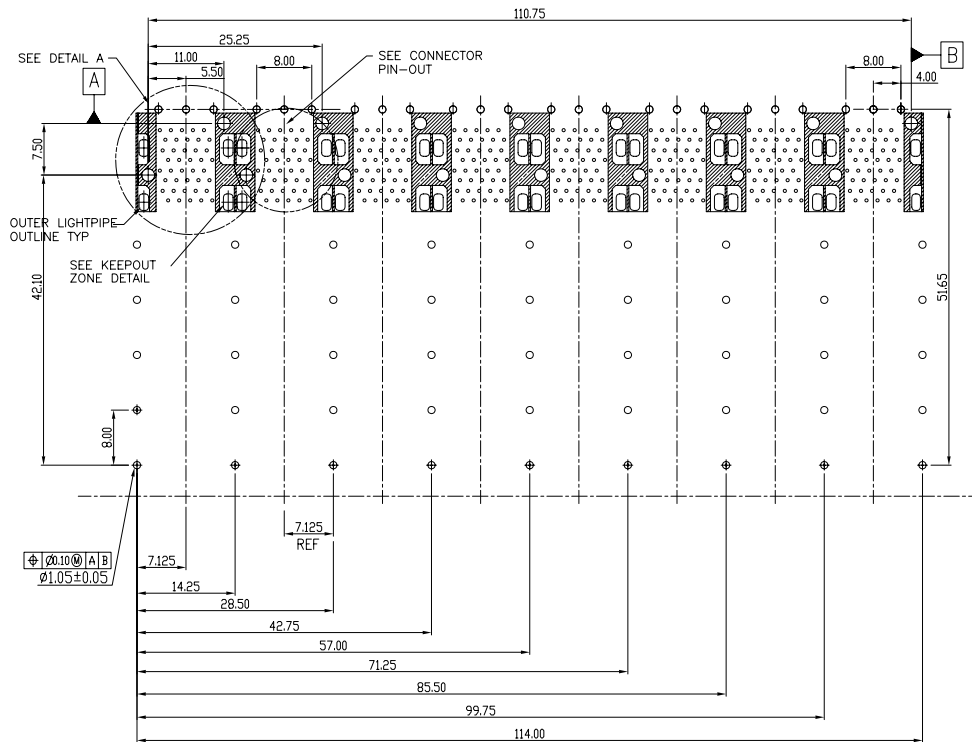
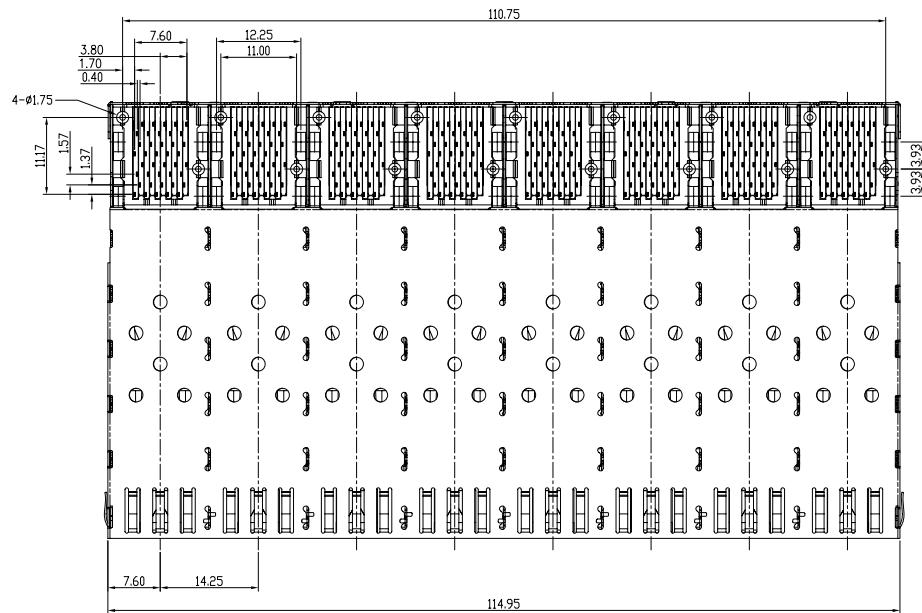


BEZEL CUT-OUT CENTER SPACING DETAIL
BEZEL THICKNESS:0.8-2.6



DETACHED LISTS	MM (INCH)		RoHS Compliant			
	TOLERANCES EXCEPT AS NOTED		TITLE SFP 2 by 8 CAGE+CONNECTOR_P W/LIGHT PIPES			
	MM					
	.0 ± 0.25 .00 ± 0.20 .000 ± 0.10	± ± ±				
ANGLES ± 0.5		DFTD Jack		DRAWING NO. CSFP0-3000-L		SIZE
 THIRD ANGLE PROJECTION		DATE 1/05/2010		/PART NO. SFP0-3000-L		REV
		SCALE : 2:1		DO NOT SCALE DRAWING		0
				SHEET 2		OF 4

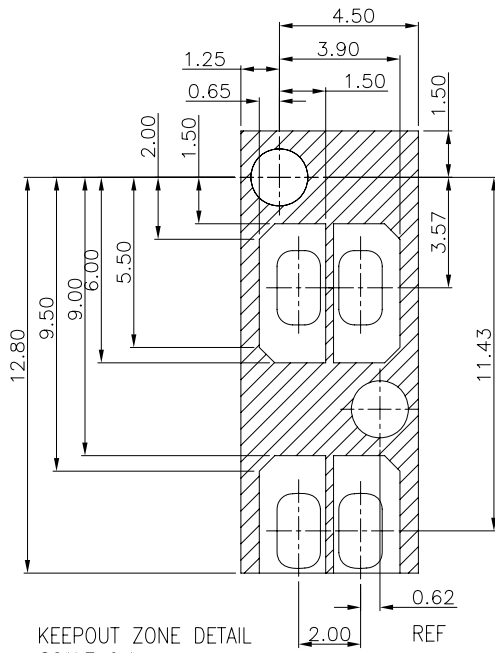
H
G
F
E
D
C
B
A



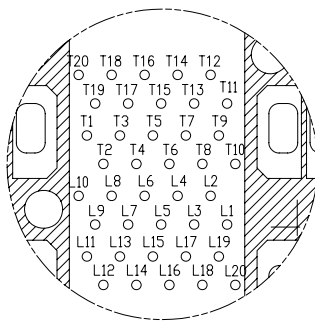
8 | 7 | 6 | 5 | 4 | 3 | 2 | 1

← MM (INCH) → TOLERANCES EXCEPT AS NOTED		RoHS Compliant			
MM .0 ± 0.25 ± .00 ± 0.20 ± .000 ± 0.10 ± ANGLES ± 0.5		TITLE W/LIGHT PIPES SFP 2 by 8 CAGE+CONNECTOR_P			
DETACHED LISTS THIRD ANGLE PROJECTION		DFTD Jack DATE 1/05/2010		DRAWING NO. CSFP0-3000-L /PART NO. SFPO-3000-L	
		SCALE : 2:1 DO NOT SCALE DRAWING		SIZE REV A3 0 SHEET 3 OF 4	

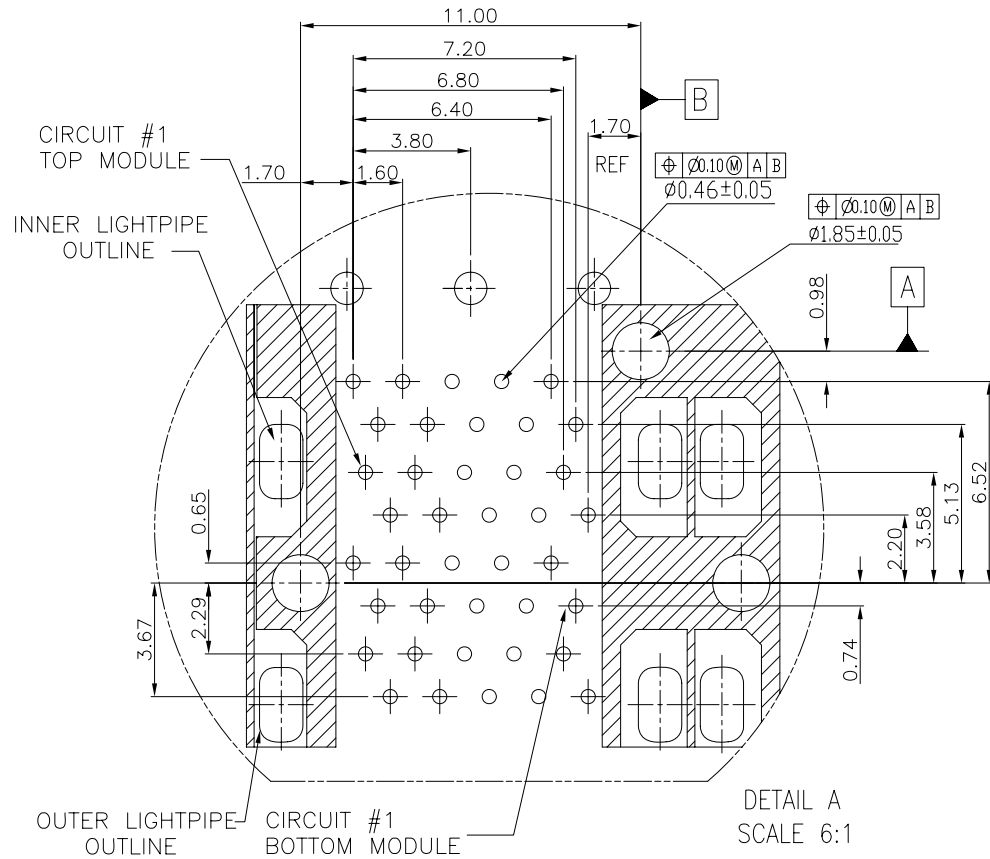
H
G
F
E
D
C
B
A



KEEP-OUT ZONE DETAIL
SCALE 6:1



CONNECTOR PIN-OUT
COMPONENT SIDE OF BOARD



DETAIL A
SCALE 6:1

MM (INCH)		RoHS Compliant			
TOLERANCES EXCEPT AS NOTED					
DETACHED LISTS	MM				
	.0 ± 0.25		±		
	.00 ± 0.20		±		
	.000 ± 0.10		±		
	ANGLES ± 0.5				
 THIRD ANGLE PROJECTION		W/LIGHT PIPES		SFP 2 by 8 CAGE+CONNECTOR_P	
DFTD Jack DATE 1/05/2010		DRAWING NO. CSFP0-3000-L /PART NO. SFPO-3000-L		SIZE A3	REV 0
SCALE : 2:1				DO NOT SCALE DRAWING	
				SHEET 4	OF 4