

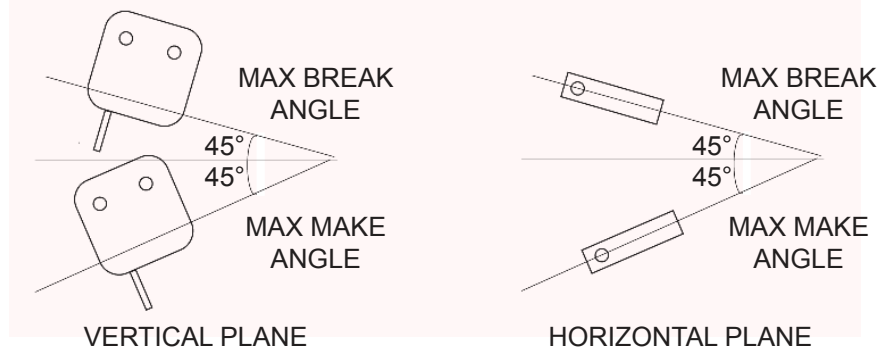
**Part Number: MTA240 (Alternate Part No: S1275)**  
**Encapsulated Tilt Switch**  
**Product Data Sheet**

**PICTURE**



✓ **RoHS Compliant**

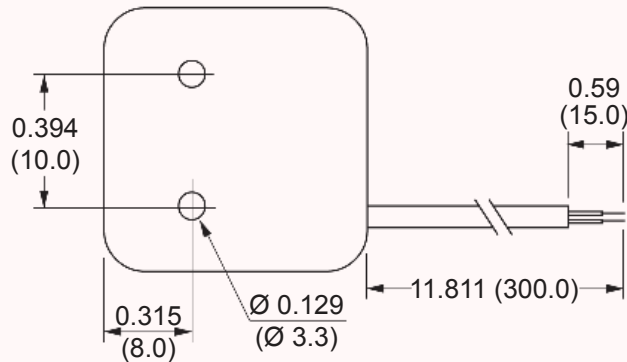
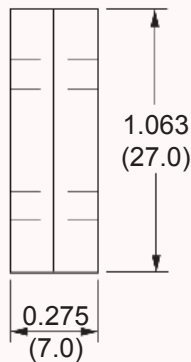
**OPERATION**



**FEATURES**

- Resistant to Ambient Environmental Conditions
- Hermetically Sealed & Inert Gas Filled
- Case Material : ABS Plastic
- Wire: 3 x round 0.14mm<sup>2</sup> PVC covered and insulated

**DIMENSIONS**



Drawings not to scale.  
 All dimensions in inches (mm) nominal.

**SPECIFICATION**

Switching Voltage	Max. VAC	240
Switching Current	Max. A	0.50
Switching Capacity	Max. VA	10
Contact Resistance	Max. mΩ	150
Differential Angle	Max. Deg°	90
Operating Temperature	Deg °C	-20° to +70°
Storage Temperature	Deg °C	-20° to +70°
Mechanical Life	Min.	10 <sup>5</sup>

As part of the company policy of continued product improvement, specifications may change without notice. Our sales office will be pleased to help you with the latest information on this product range and the details of our full design and manufacturing service. All products are supplied to our standard conditions of sale unless otherwise agreed in writing.

**Phone: (1) 973 777 6900**

**www.comus-intl.com**

**Fax: (1) 973 777 8405**

Belgium: + 32 (0)12 390400 - Comus Europe Ltd (Assemtech) UK: +44 (0) 1255 862236 - Germany: +49 (0)911 923 15 943 - Netherlands: +31(0)45 54 39 345 - India: +(91) (44) 43219090

©2015 Copyright Comus International, 454 Allwood Road, Clifton NJ 07012, USA