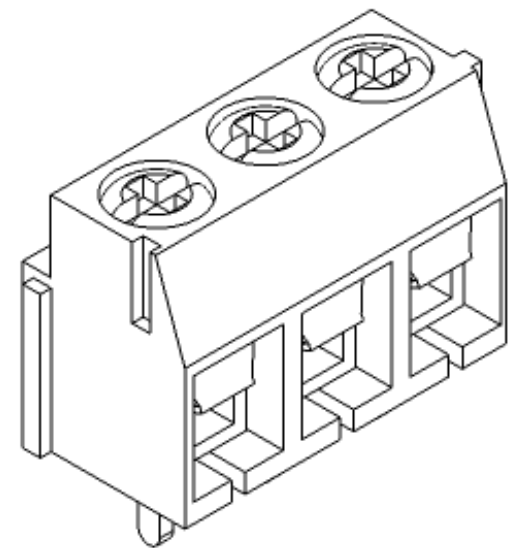
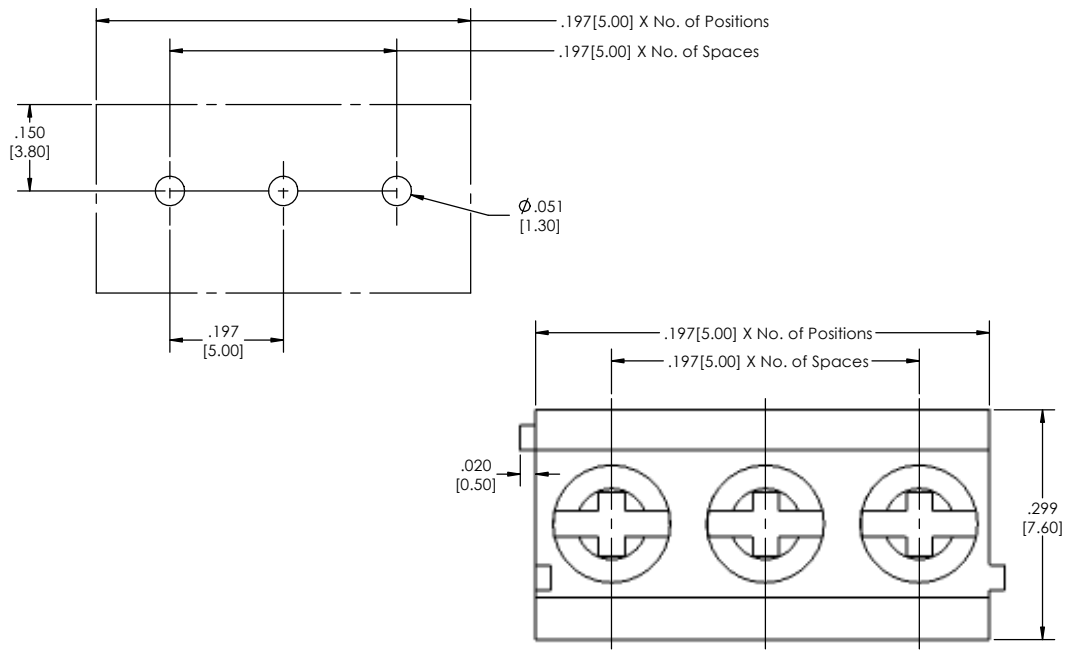


**Recommended P.C. Board Layout**  
SCALE 6:1

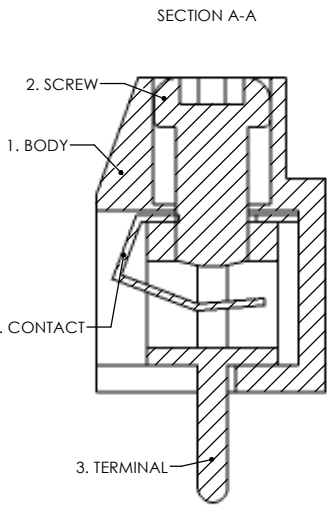
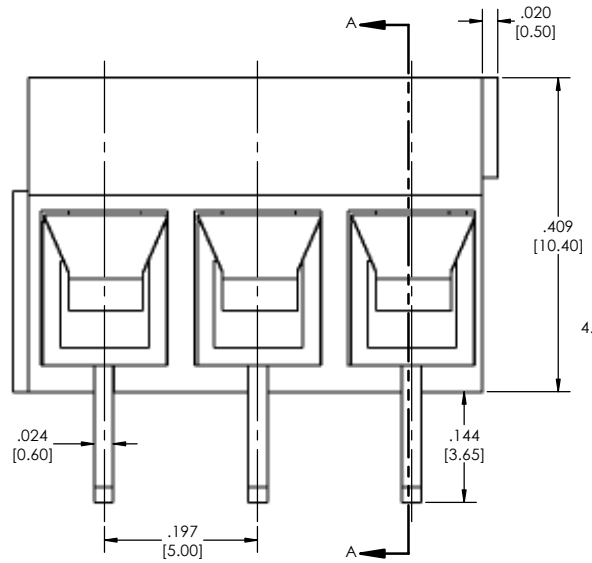
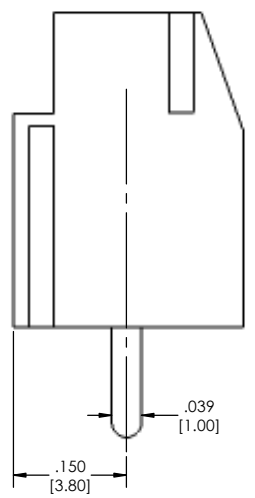


TBW - 04 - **197** - **XX** - **XX** - **LF**  
 (A) (B) (C) (D)

- A. Pitch**  
 - 197= .197(5.00) cl
- B. No. of Positions**  
 - 02-24
- C. Color**  
 - GR= Green (Standard)  
 - BK= Black  
 - BL= Blue  
 - WH= White  
 - GY= Grey  
 - OR= Orange  
 - YW= Yellow  
 - RD= Red  
 - BR= Brown
- D. Lead Free**
- Specifications:**  
 Current Rating: 10 Ampere  
 Voltage Rating: AC 250V  
 Wire Range: 14-24 AWG  
 Insulation Resistance: DC 500V 500M ohms  
 Dielectric Withstanding Voltage: AC 1500V/1 minute  
 Operation Temperature: -33°C to +105°C  
 Max Torque: 3.04 lb-in (3.5kgf. cm)  
 Strip Length: .236-.276 (4.5-5mm)

- Materials:**
1. Body: PA66 (Nylon), UL94 V-0
  2. Screw: M2.5, C1018 Steel, Zinc Plated
  3. Terminal: H62 Brass, Tin Plated
  4. Contact: SUS301 Stainless Steel

Tails may be clipped to achieve specific dimensions.  
 Products cut to specific sizes are uncancellable/ nonreturnable.  
 Parts are subject to change without notice.



**PROPRIETARY AND CONFIDENTIAL**  
 THE INFORMATION CONTAINED IN THIS DRAWING IS THE SOLE PROPERTY OF Major League Electronics. ANY REPRODUCTION IN PART OR AS A WHOLE WITHOUT THE WRITTEN PERMISSION OF Major League Electronics IS PROHIBITED.

UNLESS OTHERWISE SPECIFIED:		NAME		DATE	
DIMENSIONS ARE IN INCHES		DRAWN		EOW	
TOLERANCES:		CHECKED		GWE	
ONE DECIMALS ±.100		ENG APPR.			
TWO DECIMAL ±.010		MFG APPR.			
THREE DECIMAL ±.002		ADDRESS:		2533 Centennial Blvd.	
FOUR DECIMAL ±.002		MATERIAL:		Jeffersonville, In 47130	
NEXT ASSY		FINISH:		Phone: 812-670-4174	
USED ON		DO NOT SCALE DRAWING		Fax: 812-670-4175	
APPLICATION		E-Mail: mle@mlelectronics.com		TITLE: TBW-04-197 Series	
				SIZE DWG. NO.	
				C	
				REV	
				A	
				SCALE 8:1	
				SHEET 1 OF 1	