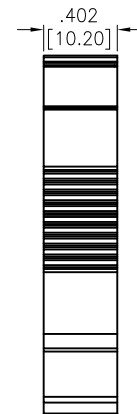
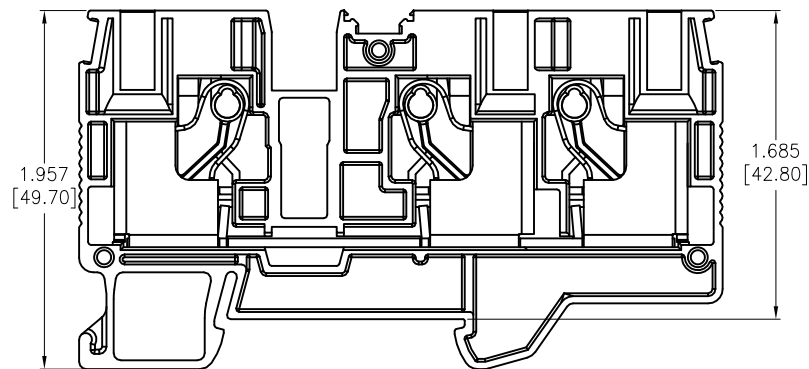
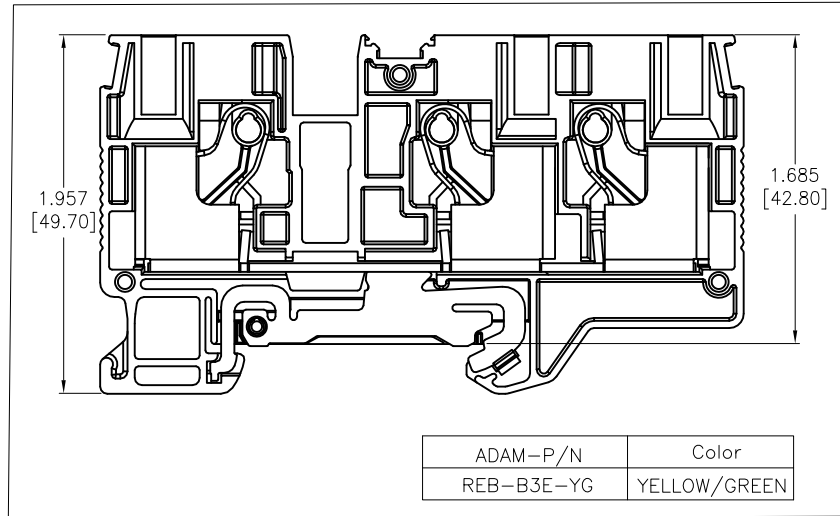


APPROVED: \_\_\_\_\_  
 DATE: \_\_\_\_\_ TITLE: \_\_\_\_\_

Rev	AWO #	Description	Date	Appr
-		RELEASED	10/7/22	

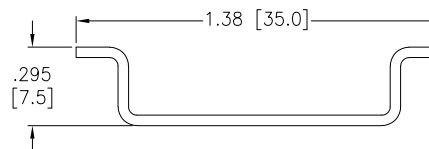


**SPECIFICATIONS:**

Material:  
 Insulator: PA66, rated UL 94V-0  
 Insulator Color: See Chart  
 Contacts: Copper Alloy, Tin Plated  
 Electrical:  
 Voltage rating: 600 VAC  
 Current rating: 60 Amp  
 Dielectric withstanding voltage: 2200 VAC for 1 minute  
 Mechanical:  
 Wire range : 20-6 #AWG  
 Flexible: 0.5-10.0  
 Stripping Length: 18  
 Temperature Rating:  
 Operating temperature: -40°C to +105°C  
 Environmental:  
 Lead free, RoHS compliant.



**RECOMMENDED RAIL SIZE**  
 35.0mm X 7.5mm



ADAM-P/N	Color
REB-B3E-OR	ORANGE
REB-B3E-BU	BLUE
REB-B3E-GY	GRAY
REB-B3E-YG	YELLOW/GREEN

UNLESS OTHERWISE SPECIFIED ALL DIMENSIONS ARE INCHES [MM]. TOLERANCES: EXCEPT AS NOTED

INCHES		HOLES	
.X	± .10	∅X	± .10
.XX	± .020	∅XX	± .015
.XXX	± .015	∅XXX	± .010



909 Rahway Avenue,  
 Union, NJ 07083  
 Phone: 908-687-5000  
 Fax: 908-687-5710

DRAWN	WX	10/7/22
CHECKED	RC	10/7/22
APPROVED		

TITLE  
**RAILWAYTERMINAL, GUV 3 HOLE, 10 FLEXIBLE**

THIS DRAWING CONTAINS INFORMATION THAT IS PROPRIETARY AND SHOULD NOT BE USED WITHOUT PRIOR WRITTEN PERMISSION FROM ADAM TECH

SIZE	PART NO.	REV.
X	REB-B3E-XX	-
REF: S00067C	SCALE: NTS	SHEET 1 OF 1