

PART NO.	ENGINEERING NO.	FINISHED LENGTH
1300061160	105000A01F030	3.0FT [9.1M]
1300061163	105000A01F060	6.0FT [1.8M]
1300061179	105000A01F200	20.0FT [6.1M]
1300061226	105000A01M100	10M [32FT 10IN]

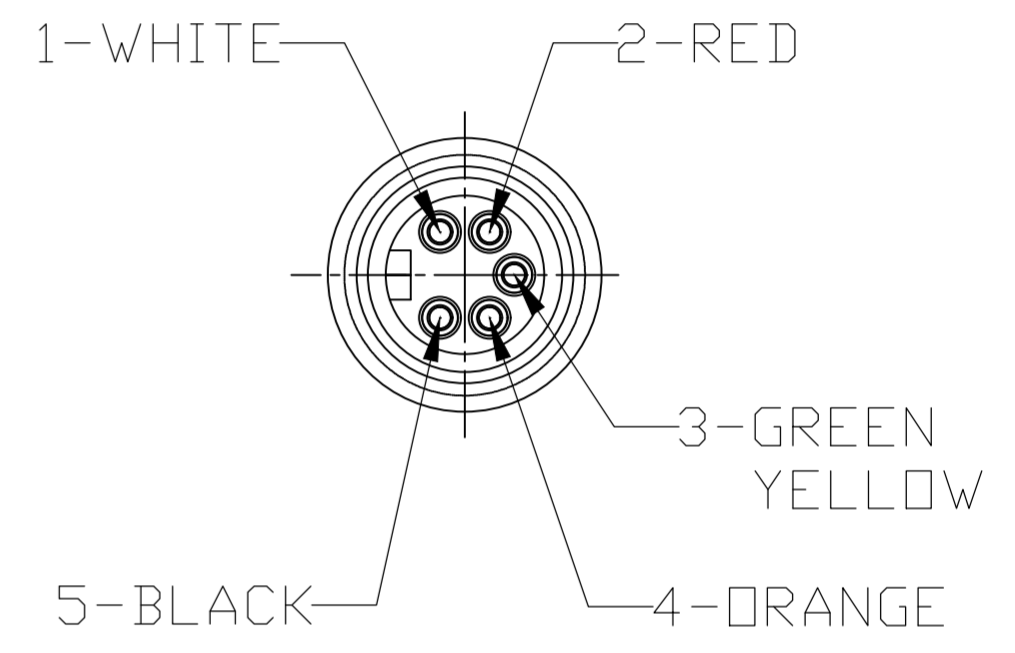
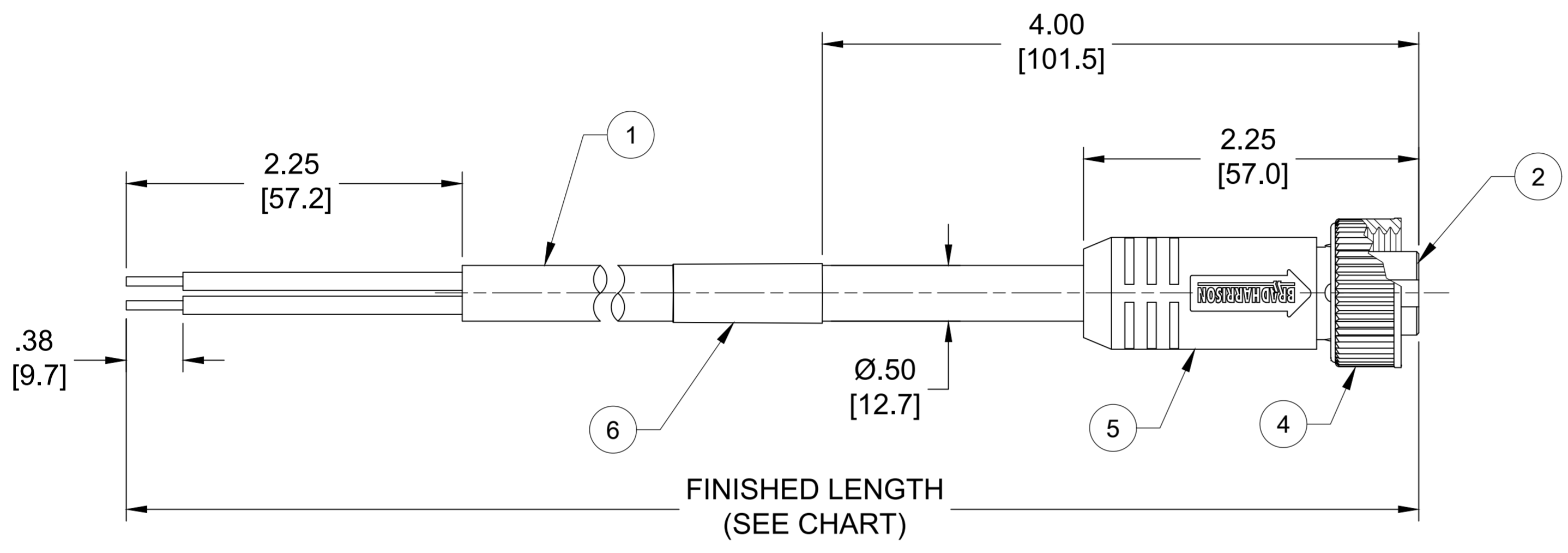
REF. THIS DRAWING SUPERSEDES SD-130006-001 REV-A (A)

PART NUMBER LEGEND

105000A01F030

POLE COUNT →

FINISHED LENGTH:
 F010= 1.0 FEET
 F100= 10.0 FEET
 M005= 0.5 METER
 M010= 1.0 METER
 M100= 10. METER



- NOTES:**
- MATERIAL: AS NOTED
 - FINISH: AS NOTED
 - ELECTRICAL:
 VOLTAGE: 400V PER IEC60664
 600V PER UL2238
 CURRENT: 8A
 - TEMP RATING: -20°TO +80°C
 - PROTECTION: IP67 (WHEN MATED)
 - COUPLING THREAD: 7/8-16UN
 - UL RECOGNIZED FILE: E152210
 CSA CERTIFIED FILE: LR6837
 - ALL DIMS ARE FOR REFERENCE UNLESS TOLERANCED OR NOTED OTHERWISE

CABLE LENGTH TOLERANCES

>.3M [1FT]:	+19mm-0 [+ .75in-0]
.3 - .9M [1 - 3FT]:	+44.5mm-0 [+1.75in-0]
.9 - 1.8M [3 - 6FT]:	+55.6mm-0 [+2.19in-0]
1.8 - 3.7M [6 - 12FT]:	+88.9mm-0 [+3.50in-0]
3.7 - 7.3M [12 - 24FT]:	+165.1mm-0 [+6.50in-0]
7.3-14.6M [24 - 48FT]:	+317.5mm-0 [+12.50in-0]
14.6 - 30.5M [48-100FT]:	+622.3mm-0 [+24.50in-0]
OVER 30M [100FT]	+2% OF FINISHED LENGTH

ITEM	DESCRIPTION	MATERIAL	FINISH
6	WRAP LABEL	VINYL	BLACK/YELLOW
5	OVERMOLD	TPE	YELLOW
4	COUPLING NUT, INT. THD	ZINC DIE-CAST	NICKEL PLATED
3	CONTACT SOCKET	COPPER ALLOY	GOLD PLATED
2	FEMALE INSERT	TPE	YELLOW
1	CABLE, 16/5, ST00W	PVC JACKET	YELLOW

THIS DRAWING CONTAINS INFORMATION THAT IS PROPRIETARY TO MOLEX ELECTRONIC TECHNOLOGIES, LLC AND SHOULD NOT BE USED WITHOUT WRITTEN PERMISSION

SYMBOLS	DIMENSION UNITS	SCALE	CURRENT REV DESC:
▽ = 0	INCH/MM	1:1	REDRAWN, WAS SD-130006-001
▽ = 0	GENERAL TOLERANCES (UNLESS SPECIFIED)		
▽ = 0	mm	INCH	
▽ = 0	4 PLACES	±----	EC NO: 624117
▽ = 0	3 PLACES	±----	DRWN: RSTONE 2019/09/11
▽ = 0	2 PLACES	±----	CHK'D: MZIELINSKI 2019/09/19
▽ = 0	1 PLACE	±----	APPR: BWOODMAN 2019/10/03
▽ = 0	0 PLACES	±----	INITIAL REVISION:
▽ = 0	ANGULAR TOL ± ---- °		DRWN: RSTONE 2019/09/11
▽ = 0	DRAFT WHERE APPLICABLE MUST REMAIN WITHIN DIMENSIONS		APPR: BWOODMAN 2019/10/03
▽ = 0	THIRD ANGLE PROJECTION	DRAWING	SERIES
		C-SIZE	130006

molex

MINI CHANGE CABLE ASSY, 5P, FEMALE, STR.
 16AWG, ST00W, INTERNAL THREAD

PRODUCT CUSTOMER DRAWING

DOCUMENT NUMBER	DOC TYPE	DOC PART	REVISION
1300061160	PSD	000	A

MATERIAL NUMBER	CUSTOMER	SHEET NUMBER
----	----	1 OF 1