

GlobTek, Inc. www.globtek.com 186 Veterans Drive, Northvale, NJ 07647 Tel. (201) 784-1000 Fax (201) 784-0111	Drawing Title: MOLEX HOUSING 3.96MM PITCH 5 CIRCUIT Molex:09-50-3051 OR EQUIVALENT (Mates w/ 0026604050, 1718130) to IEC 60320 C8 PANEL MOUNT, GT Cable #2*UL1007 18AWG WIRE, 1 BLACK, 1 WHITE Shrink tubed: 18 / 2 Conductors, 1.6mm OD, UL1007, 80 Deg.C, 300V, 1 BLACK, 1 WHITE, Approvals: , 60mm,	
	Model No. Low voltage cable	Part No./Ordering No. C810070M6MLX5HW(R)
		Rev A

CUSTOMIZED LENGTHS, COLORS, CABLE TYPES, TERMINATIONS/PLUGS/RECEPTACLES AVAILABLE UPON REQUEST. ADDITIONAL PLUG OPTIONS ARE AVAILABLE AT <https://www.globtek.com/connectors/> STANDARD PLUGS AND CONNECTORS CAN BE SEEN ONLINE AT <https://www.globtek.com/connectors/> ACTUAL CONNECTORS, OVERMOLDS, FERRITES MAY VARY SLIGHTLY FROM THE PICTURE BELOW DIMENSIONS ARE IN MM UNLESS SPECIFIED OTHERWISE

In Addition to GlobTek Inc.'s renewed ISO9001:2008 - Quality Management System Certification, GlobTek Inc. is now certified to:

ISO13485:2003 - Medical Devices Quality Management System Certification
ISO14001:2004 - Environmental Management System Certification

ISO Certificates are available online at <https://www.globtek.com/iso-certificates/>
Prop 65 Statement:<https://en.globtek.com/prop-65-statement.pdf>

The acceptance of this specification and use of the product described in this document indicates the acceptance and binding of the customer to Globtek TERMS AND CONDITIONS (attached to the end of this document), which supersede all other agreements, terms, and conditions (<https://en.globtek.com/terms-and-conditions/>).

The purchaser of this product (Customer) agrees that it is their sole responsibility to determine suitability/fitness of the product described in this specification for their application and to take precautions for protection against any hazards attendant to the handling and use of the product.

Footnote:

GlobTek Inc. will not be liable for the safety and performance of these power supplies if unauthorized access and repair occurs. End user should consult applicable UL, CSA or EN standards for proper installation instruction.

Limitation of Use:

GlobTek products are intended for use with commercial, medical, and/or industrial equipment only. GlobTek product are not authorized for use as mission critical components in life support hazardous environment, nuclear or aircraft applications without prior written approval from the CEO of GlobTek Inc.
Contents of this document are subject to change without prior notice.

Customer Approval of Specification:

Please approve, sign and send back to GlobTek so we can complete order processing.
A delay in receipt of this form will delay delivery schedule.

Company Name: _____	Customer P/N: _____
Quote Number: _____	Date: _____
Authorized Representative Name: _____	Authorized Representative Signature: _____

GlobTek, Inc. www.globtek.com 186 Veterans Drive, Northvale, NJ 07647 Tel. (201) 784-1000 Fax (201) 784-0111	Drawing Title: MOLEX HOUSING 3.96MM PITCH 5 CIRCUIT Molex:09-50-3051 OR EQUIVALENT (Mates w/ 0026604050, 1718130) to IEC 60320 C8 PANEL MOUNT, GT Cable #2*UL1007 18AWG WIRE, 1 BLACK, 1 WHITE Shrink tubed: 18 / 2 Conductors, 1.6mm OD, UL1007, 80 Deg.C, 300V, 1 BLACK, 1 WHITE, Approvals: , 60mm,	
	Model No. Low voltage cable	
	Part No./Ordering No. C810070M6MLX5HW(R)	Rev A

CUSTOMIZED LENGTHS, COLORS, CABLE TYPES, TERMINATIONS/PLUGS/RECEPTACLES AVAILABLE UPON REQUEST. ADDITIONAL PLUG OPTIONS ARE AVAILABLE AT <https://www.globtek.com/connectors/> STANDARD PLUGS AND CONNECTORS CAN BE SEEN ONLINE AT <https://www.globtek.com/connectors/> ACTUAL CONNECTORS, OVERMOLDS, FERRITES MAY VARY SLIGHTLY FROM THE PICTURE BELOW DIMENSIONS ARE IN MM UNLESS SPECIFIED OTHERWISE

REVISION HISTORY

REV	DESCRIPTION	SUB	DATE	APPROVED
A	initial release	DR	09/19/2019	QA

Cordset Information:

CordsetColor:

Cord Length (mm):60

NOTES:

END A MATES TO THE INPUT OF GTM96700-BWWWV-F AND
GTM962500PWWWV.V-F

GlobTek, Inc. www.globtek.com 186 Veterans Drive, Northvale, NJ 07647 Tel. (201) 784-1000 Fax (201) 784-0111	Drawing Title: MOLEX HOUSING 3.96MM PITCH 5 CIRCUIT Molex:09-50-3051 OR EQUIVALENT (Mates w/ 0026604050, 1718130) to IEC 60320 C8 PANEL MOUNT, GT Cable #2*UL1007 18AWG WIRE, 1 BLACK, 1 WHITE Shrink tubed: 18 / 2 Conductors, 1.6mm OD, UL1007, 80 Deg.C, 300V, 1 BLACK, 1 WHITE, Approvals: , 60mm,	
	Model No. Low voltage cable	
	Part No./Ordering No. C810070M6MLX5HW(R)	Rev A

CUSTOMIZED LENGTHS, COLORS, CABLE TYPES, TERMINATIONS/PLUGS/RECEPTACLES AVAILABLE UPON REQUEST. ADDITIONAL PLUG OPTIONS ARE AVAILABLE AT <https://www.globtek.com/connectors/> STANDARD PLUGS AND CONNECTORS CAN BE SEEN ONLINE AT <https://www.globtek.com/connectors/> ACTUAL CONNECTORS, OVERMOLDS, FERRITES MAY VARY SLIGHTLY FROM THE PICTURE BELOW DIMENSIONS ARE IN MM UNLESS SPECIFIED OTHERWISE



PROPRIETARY INFORMATION

PROPRIETARY OF GLOBTEK, INC. ANY REPRODUCTION, DISCLOSURE OR USE OF THIS DRAWING, IN WHOLE OR IN PART, IS HEREBY PROHIBITED EXCEPT AS SPECIFIED IN WRITING BY GLOBTEK, INC. © GlobTek, Inc. 2019 - 2023

quest /09/30/2023 11:38:32 AM CLONED FROM C810070M6MLX5(R)

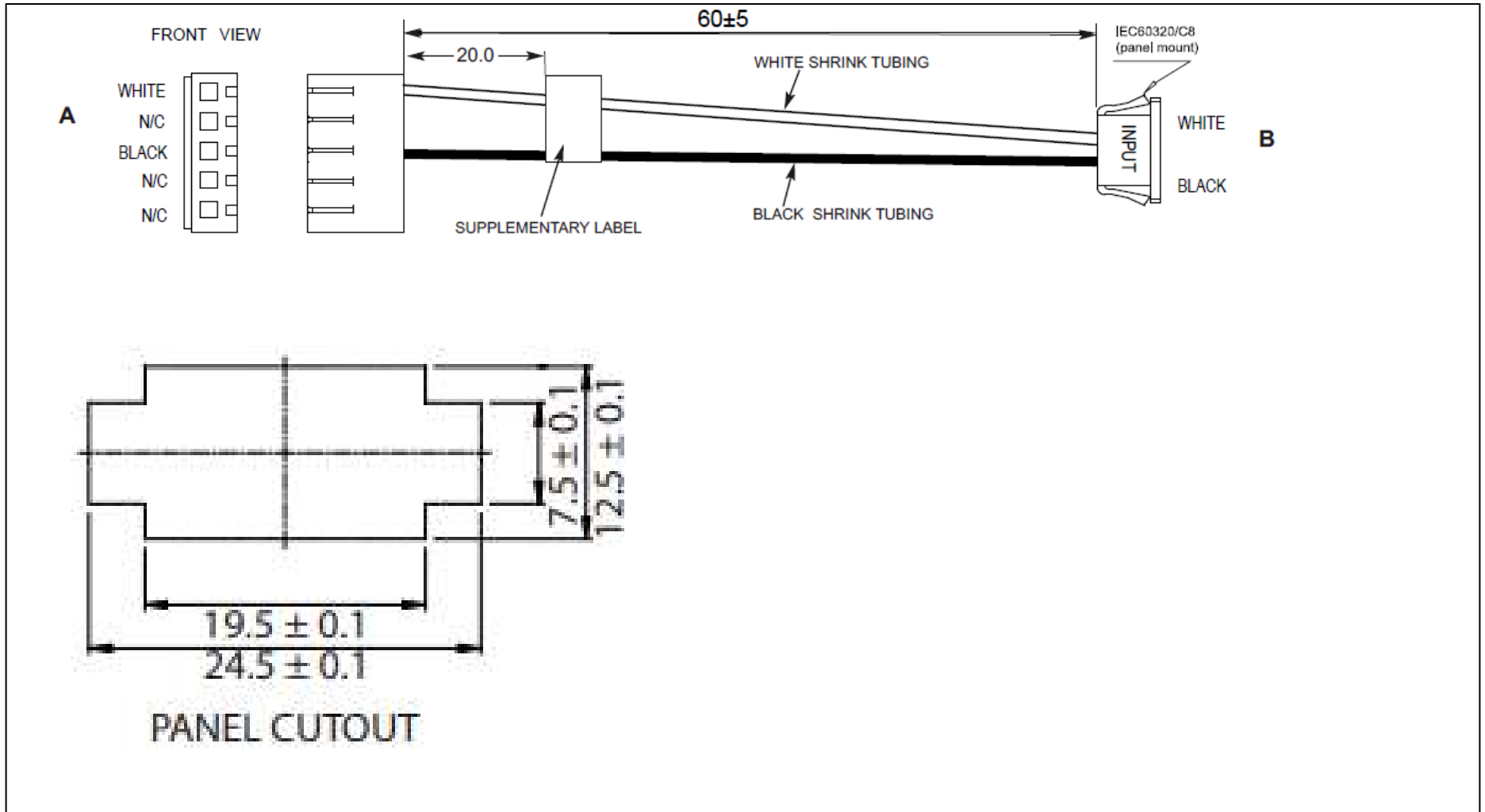
GlobTek, Inc. www.globtek.com 186 Veterans Drive, Northvale, NJ 07647 Tel. (201) 784-1000 Fax (201) 784-0111	Drawing Title: MOLEX HOUSING 3.96MM PITCH 5 CIRCUIT Molex:09-50-3051 OR EQUIVALENT (Mates w/ 0026604050, 1718130) to IEC 60320 C8 PANEL MOUNT, GT Cable #2*UL1007 18AWG WIRE, 1 BLACK, 1 WHITE Shrink tubed: 18 / 2 Conductors, 1.6mm OD, UL1007, 80 Deg.C, 300V, 1 BLACK, 1 WHITE, Approvals: , 60mm,	
	Model No. Low voltage cable	Part No./Ordering No. C810070M6MLX5HW(R)
		Rev A

CUSTOMIZED LENGTHS, COLORS, CABLE TYPES, TERMINATIONS/PLUGS/RECEPTACLES AVAILABLE UPON REQUEST. ADDITIONAL PLUG OPTIONS ARE AVAILABLE AT <https://www.globtek.com/connectors/> STANDARD PLUGS AND CONNECTORS CAN BE SEEN ONLINE AT <https://www.globtek.com/connectors/> ACTUAL CONNECTORS, OVERMOLDS, FERRITES MAY VARY SLIGHTLY FROM THE PICTURE BELOW DIMENSIONS ARE IN MM UNLESS SPECIFIED OTHERWISE

CABLE IMAGE

GlobTek, Inc. www.globtek.com 186 Veterans Drive, Northvale, NJ 07647 Tel. (201) 784-1000 Fax (201) 784-0111	Drawing Title: MOLEX HOUSING 3.96MM PITCH 5 CIRCUIT Molex:09-50-3051 OR EQUIVALENT (Mates w/ 0026604050, 1718130) to IEC 60320 C8 PANEL MOUNT, GT Cable #2*UL1007 18AWG WIRE, 1 BLACK, 1 WHITE Shrink tubed: 18 / 2 Conductors, 1.6mm OD, UL1007, 80 Deg.C, 300V, 1 BLACK, 1 WHITE, Approvals: , 60mm,
	Model No. Low voltage cable
Part No./Ordering No. C810070M6MLX5HW(R)	Rev A

CUSTOMIZED LENGTHS, COLORS, CABLE TYPES, TERMINATIONS/PLUGS/RECEPTACLES AVAILABLE UPON REQUEST. ADDITIONAL PLUG OPTIONS ARE AVAILABLE AT <https://www.globtek.com/connectors/> STANDARD PLUGS AND CONNECTORS CAN BE SEEN ONLINE AT <https://www.globtek.com/connectors/> ACTUAL CONNECTORS, OVERMOLDS, FERRITES MAY VARY SLIGHTLY FROM THE PICTURE BELOW DIMENSIONS ARE IN MM UNLESS SPECIFIED OTHERWISE



PROPRIETARY INFORMATION

PROPRIETARY OF GLOBTEK, INC. ANY REPRODUCTION, DISCLOSURE OR USE OF THIS DRAWING, IN WHOLE OR IN PART, IS HEREBY PROHIBITED EXCEPT AS SPECIFIED IN WRITING BY GLOBTEK, INC. © GlobTek, Inc. 2019 - 2023

quest /09/30/2023 11:38:32 AM CLONED FROM C810070M6MLX5(R)

GlobTek, Inc. www.globtek.com 186 Veterans Drive, Northvale, NJ 07647 Tel. (201) 784-1000 Fax (201) 784-0111	Drawing Title: MOLEX HOUSING 3.96MM PITCH 5 CIRCUIT Molex:09-50-3051 OR EQUIVALENT (Mates w/ 0026604050, 1718130) to IEC 60320 C8 PANEL MOUNT, GT Cable #2*UL1007 18AWG WIRE, 1 BLACK, 1 WHITE Shrink tubed: 18 / 2 Conductors, 1.6mm OD, UL1007, 80 Deg.C, 300V, 1 BLACK, 1 WHITE, Approvals: , 60mm,	
	Model No. Low voltage cable	
Part No./Ordering No. C810070M6MLX5HW(R)		Rev A

CUSTOMIZED LENGTHS, COLORS, CABLE TYPES, TERMINATIONS/PLUGS/RECEPTACLES AVAILABLE UPON REQUEST. ADDITIONAL PLUG OPTIONS ARE AVAILABLE AT <https://www.globtek.com/connectors/> STANDARD PLUGS AND CONNECTORS CAN BE SEEN ONLINE AT <https://www.globtek.com/connectors/> ACTUAL CONNECTORS, OVERMOLDS, FERRITES MAY VARY SLIGHTLY FROM THE PICTURE BELOW DIMENSIONS ARE IN MM UNLESS SPECIFIED OTHERWISE

End A Code:MLX5 Description:MOLEX HOUSING 3.96MM PITCH 5 CIRCUIT Molex:09-50-3051 OR EQUIVALENT (Mates w/ 0026604050, 1718130) Rating (V):250 Rating (A):7.0 Gender:Female Overmolded:No	Cable Code:2*UL1007 18AWG WIRE, 1 BLACK, 1 WHITE Shrink tubed Description:GT Cable #2*UL1007 18AWG WIRE, 1 BLACK, 1 WHITE Shrink tubed: 18 / 2 Conductors, 1.6mm OD, UL1007, 80 Deg.C, 300V, 1 BLACK, 1 WHITE, Approvals: Color:GlobTek Black Wire Gauge(AWG):18 Cond:2 Type:UL1007 Temperature:80° C Amps:5 Volts:300 OD:1.6 ConductorsColors:1 BLACK, 1 WHITE	End B Code:C8-PANEL Description:IEC 60320 C8 PANEL MOUNT Rating (V):250 Rating (A):5.0 Gender:Female Overmolded:No
Overall cable rating:		






PROPRIETARY INFORMATION

PROPRIETARY OF GLOBTEK, INC. ANY REPRODUCTION, DISCLOSURE OR USE OF THIS DRAWING, IN WHOLE OR IN PART, IS HEREBY PROHIBITED EXCEPT AS SPECIFIED IN WRITING BY GLOBTEK, INC. © GlobTek, Inc. 2019 - 2023

quest /09/30/2023 11:38:32 AM CLONED FROM C810070M6MLX5(R)

GlobTek, Inc. www.globtek.com 186 Veterans Drive, Northvale, NJ 07647 Tel. (201) 784-1000 Fax (201) 784-0111	Drawing Title: MOLEX HOUSING 3.96MM PITCH 5 CIRCUIT Molex:09-50-3051 OR EQUIVALENT (Mates w/ 0026604050, 1718130) to IEC 60320 C8 PANEL MOUNT, GT Cable #2*UL1007 18AWG WIRE, 1 BLACK, 1 WHITE Shrink tubed: 18 / 2 Conductors, 1.6mm OD, UL1007, 80 Deg.C, 300V, 1 BLACK, 1 WHITE, Approvals: , 60mm,	
	Model No. Low voltage cable	Part No./Ordering No. C810070M6MLX5HW(R)
		Rev A

CUSTOMIZED LENGTHS, COLORS, CABLE TYPES, TERMINATIONS/PLUGS/RECEPTACLES AVAILABLE UPON REQUEST. ADDITIONAL PLUG OPTIONS ARE AVAILABLE AT <https://www.globtek.com/connectors/> STANDARD PLUGS AND CONNECTORS CAN BE SEEN ONLINE AT <https://www.globtek.com/connectors/> ACTUAL CONNECTORS, OVERMOLDS, FERRITES MAY VARY SLIGHTLY FROM THE PICTURE BELOW DIMENSIONS ARE IN MM UNLESS SPECIFIED OTHERWISE

Plug Approvals	Cable Approvals	Connector Approvals
		
	UL RECOGNIZED	UL RECOGNIZED
		
		VDE
		
		CCC
		
		Korean KC
AGENCY ONLINE DOCUMENTS	http://en.globtek.com/cordsets/	
RoHS/RoHS3 Declaration	https://www.globtek.com/pdf/rohs_cert/01t3a000004dj2NAAQ	
REACH Declaration	https://www.globtek.com/pdf/iso_certificates/REACH.pdf	
Conflict Minerals Declaration	https://www.globtek.com/pdf/conflict-minerals.pdf	
Prop 65 Statement	https://en.globtek.com/prop-65-statement.pdf	
CE.UKCA.Cord	https://globtek.secure.force.com/spec/ec_decl_product_model_family_incl_cord?id=01t3a000004dj2N	
IPXY rating is based on 3rd party testing and customers should check suitability and test system level IPXY rating before ordering.		

PROPRIETARY INFORMATION

PROPRIETARY OF GLOBTEK, INC. ANY REPRODUCTION, DISCLOSURE OR USE OF THIS DRAWING, IN WHOLE OR IN PART, IS HEREBY PROHIBITED EXCEPT AS SPECIFIED IN WRITING BY GLOBTEK, INC. © GlobTek, Inc. 2019 - 2023

quest /09/30/2023 11:38:32 AM CLONED FROM C810070M6MLX5(R)

GlobTek, Inc. www.globtek.com 186 Veterans Drive, Northvale, NJ 07647 Tel. (201) 784-1000 Fax (201) 784-0111	Drawing Title: MOLEX HOUSING 3.96MM PITCH 5 CIRCUIT Molex:09-50-3051 OR EQUIVALENT (Mates w/ 0026604050, 1718130) to IEC 60320 C8 PANEL MOUNT, GT Cable #2*UL1007 18AWG WIRE, 1 BLACK, 1 WHITE Shrink tubed: 18 / 2 Conductors, 1.6mm OD, UL1007, 80 Deg.C, 300V, 1 BLACK, 1 WHITE, Approvals: , 60mm,	
	Model No. Low voltage cable	Part No./Ordering No. C810070M6MLX5HW(R)
		Rev A

CUSTOMIZED LENGTHS, COLORS, CABLE TYPES, TERMINATIONS/PLUGS/RECEPTACLES AVAILABLE UPON REQUEST. ADDITIONAL PLUG OPTIONS ARE AVAILABLE AT <https://www.globtek.com/connectors/> STANDARD PLUGS AND CONNECTORS CAN BE SEEN ONLINE AT <https://www.globtek.com/connectors/> ACTUAL CONNECTORS, OVERMOLDS, FERRITES MAY VARY SLIGHTLY FROM THE PICTURE BELOW DIMENSIONS ARE IN MM UNLESS SPECIFIED OTHERWISE

Hanking:NO HANK
 Description:NO HANK, BULK PACKED
 Image:

Notes/Modifications/Customizations (notes in this section supersede the values shown in the standard spec):