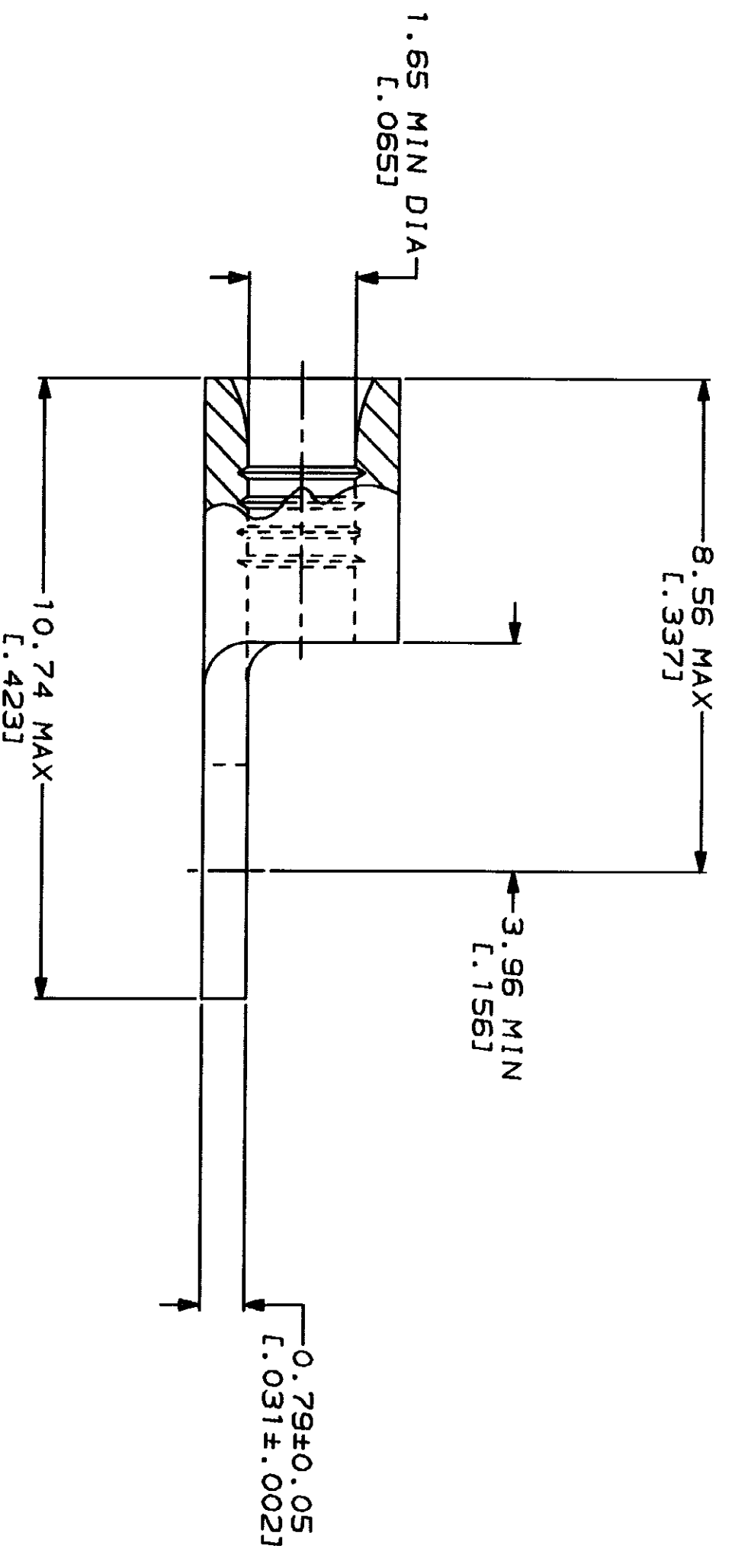
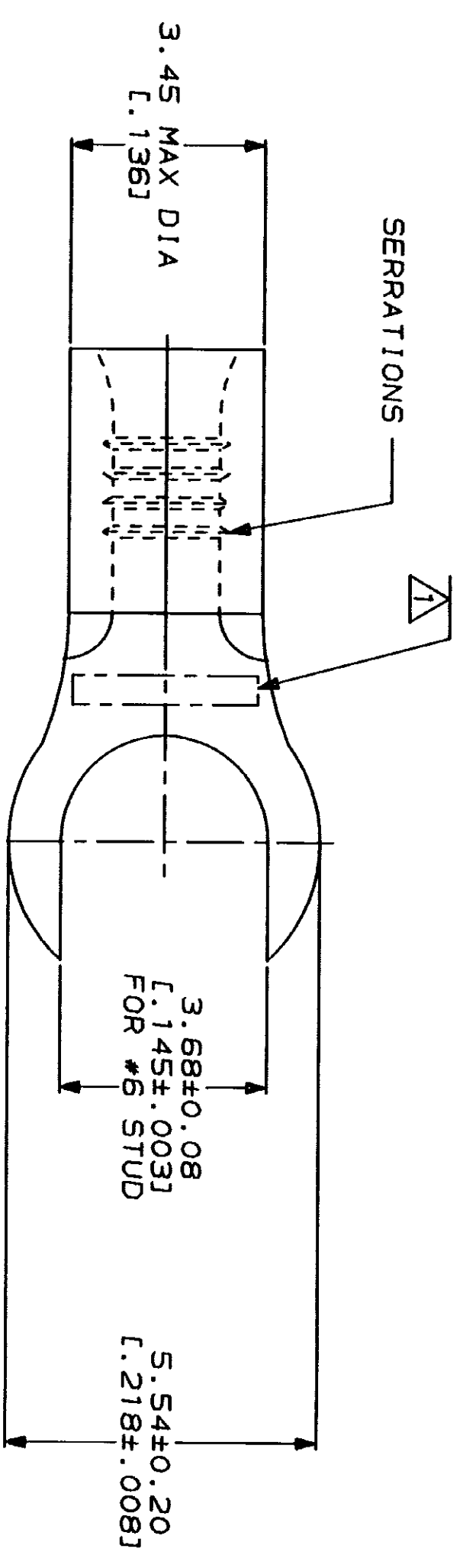


LOC	DIST	REV	ZONE	LTR	DESCRIPTION	DATE	APP'D
G	14		A		REVISED PER 0720-0230-93	2/28/94	5 DAP

**METRIOR**  
 DIMENSIONS LISTED IN mm [ INCHES ]

<b>AMP</b> WIRE RANGE	<b>UL</b> E13288 Listed
22-16 AWG STRANDED	22-16 AWG STRANDED
<b>UL</b> LR7189 Certified	MILITARY P/N AND CLASS
NOT CERTIFIED	NOT APPLICABLE

△ STAMP AMP 22-18\* APPROX AS SHOWN  
 22-16 TERMINALS ARE STAMPED 22-18 IN  
 ACCORDANCE WITH MILITARY SPECIFICATION  
 MIL-T-7928, COMMERCIAL WIRE RANGE IS 22-16



AMP INCORPORATED  
 CUSTOMER SERVICE SYSTEMS

FOR ADDITIONAL PRODUCT INFORMATION OR COPIES OF DRAWINGS AND TECHNICAL DOCUMENTS	PRODUCT INFORMATION CENTER 1-800-522-6752
FOR APPLICATION TOOLING INFORMATION	TOOLING ASSISTANCE CENTER 1-800-722-1111
FOR ORDER ENTRY	1-800-526-5142

MAX RECOMMENDED OPERATING TEMPERATURE: 170°C MAX  
 VOLTAGE RATING: NOT APPLICABLE  
 WIRE CROSS SECTIONAL AREA RANGE: 0.26-1.65mm² [509-3,260] CIR MILS STRANDED

DO NOT SCALE PRINT. UNLESS SPECIFIED DIMENSIONS IN mm - DIMENSIONS IN INCHES - TOLERANCES ON 1 2 PL C DEC ± 3 PL C DEC ± ANGLES ±

DR 2-23-93 TA BRINKMAN  
 CHK 2-23-93 DA PATTERSON  
 APPD 2-23-93 DE MILLER  
 APPD 2-23-93 JL HECKLEY  
 PRODUCT SPEC

AMP  
 AMP Incorporated  
 Harrisburg, PA 17105-3608

TERMINAL, SLOTTED RING TONGUE, BUDGET

FINISH: TIN PLATE	DR 2-23-93 TA BRINKMAN	NAME	AMP
0.00254 [L.000100] MIN THK PER MIL-T-10727	CHK 2-23-93 DA PATTERSON	SIZE	AMP Incorporated
	APPD 2-23-93 DE MILLER	CAGE CODE	Harrisburg, PA 17105-3608
	APPD 2-23-93 JL HECKLEY	DRAWING NO	
	PRODUCT SPEC	00779	
	APPLICATION SPEC	SCALE	10:1
	WEIGHT		

323835  
 PART NO

CUSTOMER DRAWING  
 SHEET 1 OF 1