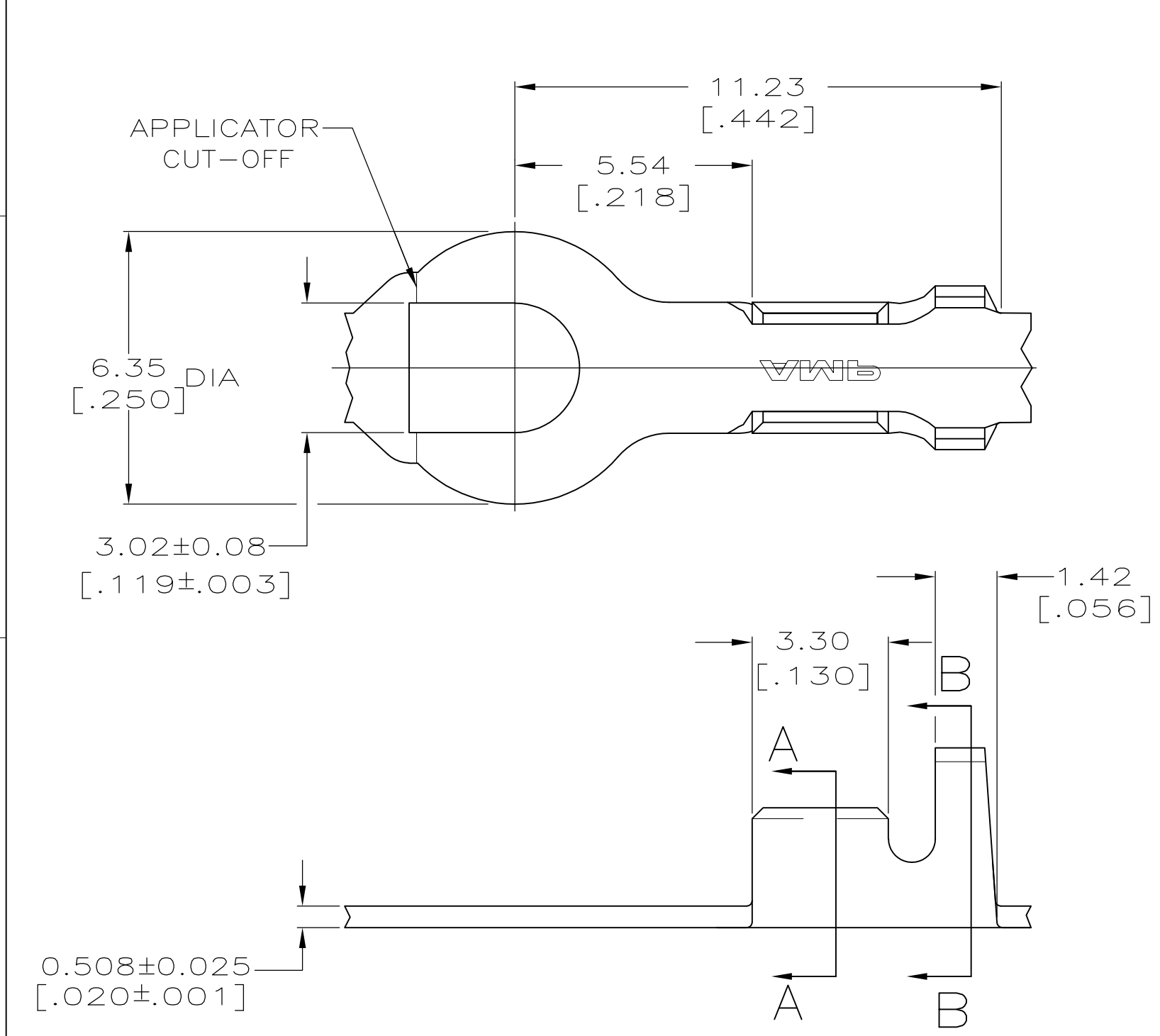
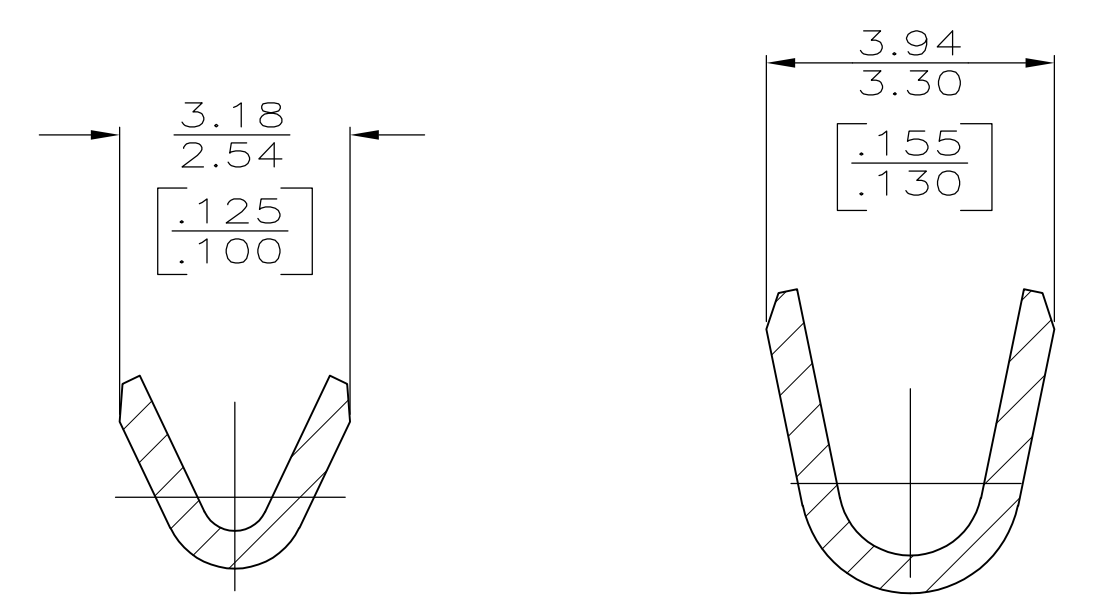


THIS DRAWING IS UNPUBLISHED. RELEASED FOR PUBLICATION
 © COPYRIGHT BY TYCO ELECTRONICS CORPORATION. ALL INTERNATIONAL RIGHTS RESERVED.

LOC	DIST	REVISIONS			
P	LTR	DESCRIPTION	DATE	DWN	APVD
AF	50	B	REVISED PER ECR-10-006099	08JUL10	HMR PD



1. CONTINUOUS STRIP ON REEL.



1.90-2.54 DIA [.075-.100]	[24-20] AWG	61238-1
INSULATION RANGE	WIRE RANGE	PART NO

THIS DRAWING IS A CONTROLLED DOCUMENT.		DWN PHILLIP M FORTNEY 09/MAR/95	Tyco Electronics Corporation Harrisburg, PA 17105-3608	
DIMENSIONS: mm [INCHES]		CHK JEFF R RUTH 09/MAR/95	NAME SPADE	
TOLERANCES UNLESS OTHERWISE SPECIFIED:		APVD GARY YETTER 09/MAR/95	PRODUCT SPEC -	
0 PLC ± -		APPLICATION SPEC -		
1 PLC ± -		SIZE A3		
2 PLC ± 0.25 [.010]		CAGE CODE 00779		
3 PLC ± -		DRAWING NO C-61238		
4 PLC ± -		RESTRICTED TO -		
ANGLES ± -		SCALE 8:1		
MATERIAL 082 BRASS		SHEET 1 OF 1		
FINISH TIN		REV B		
CUSTOMER DRAWING				