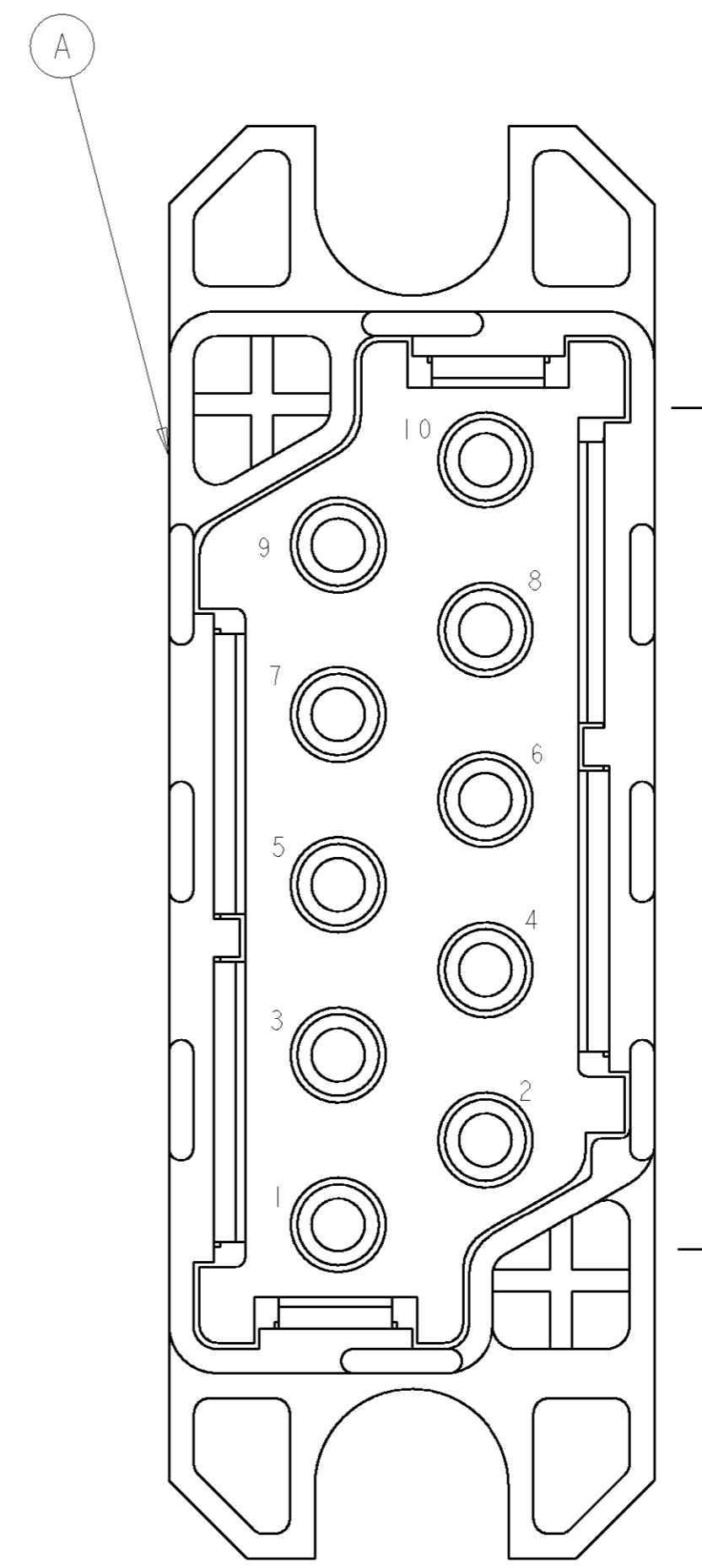
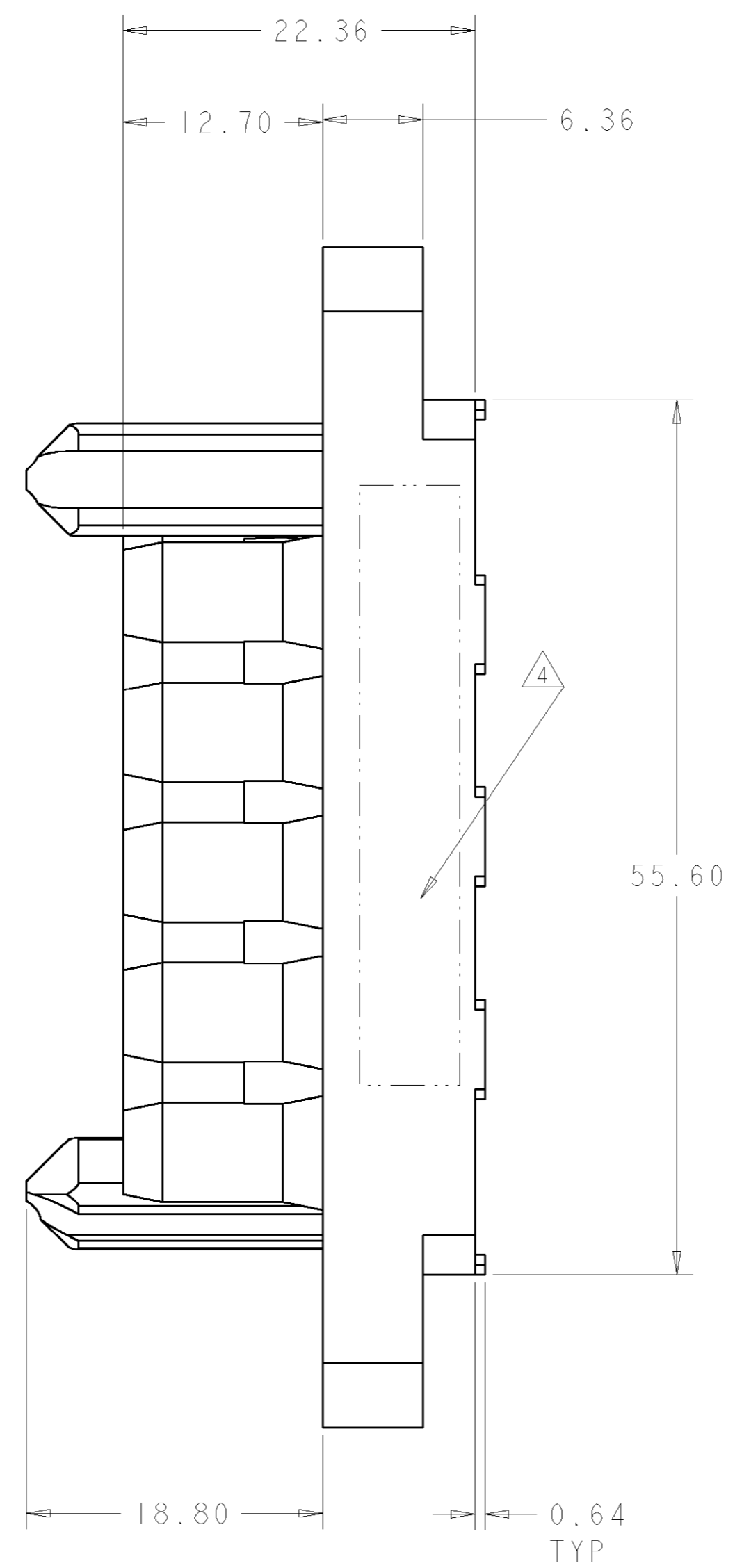
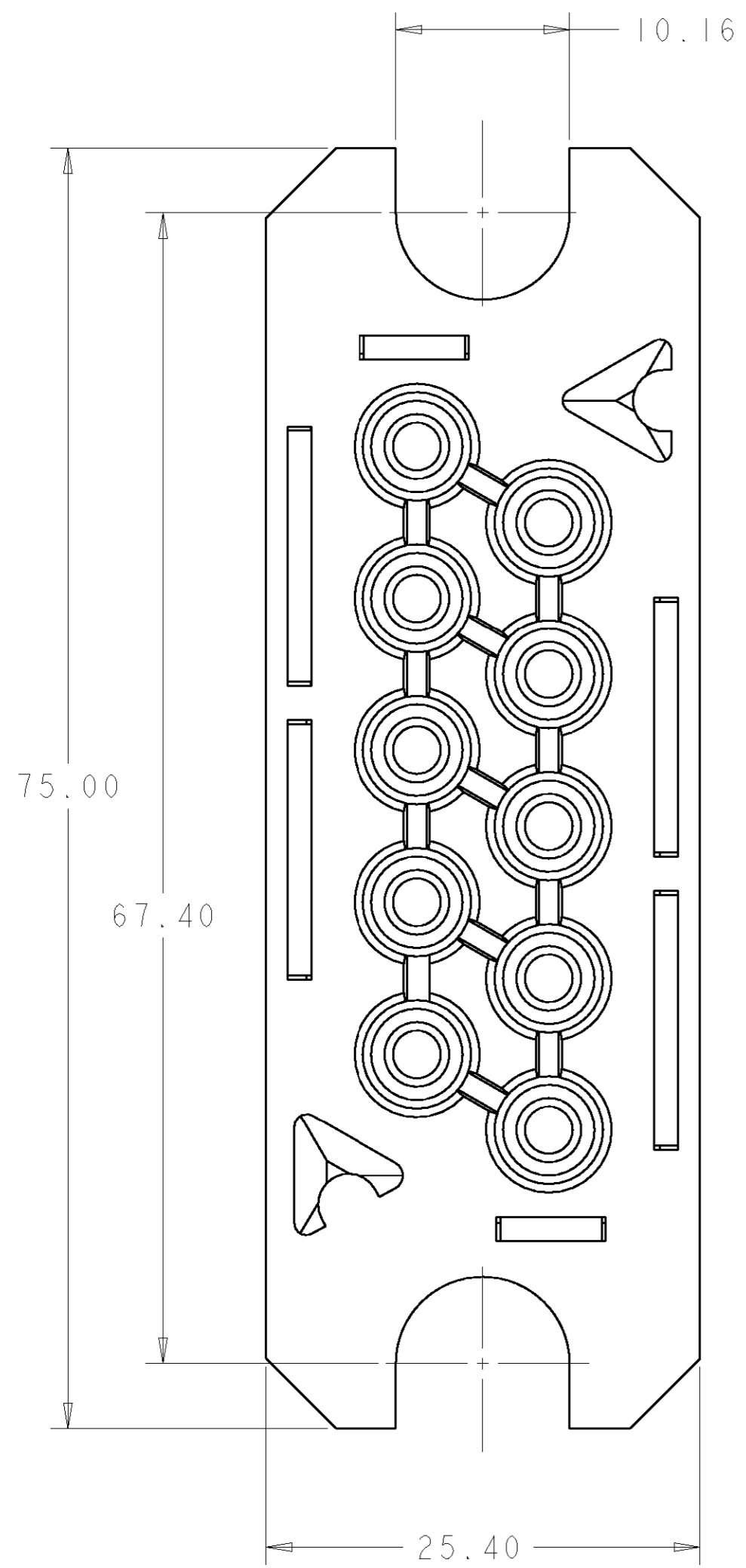


THIS DRAWING IS UNPUBLISHED. RELEASED FOR PUBLICATION 20
 © COPYRIGHT 20 BY TYCO ELECTRONICS CORPORATION. ALL RIGHTS RESERVED.

LOC	DIST	REVISIONS					
GP	00	P	LTR	DESCRIPTION	DATE	DWN	APVD
			A	RELEASED	24JUL2006	RG	SF



REAR VIEW

SOCKET CONTACT (B)
 SIZE #12

ELCON P1050 DRAWER

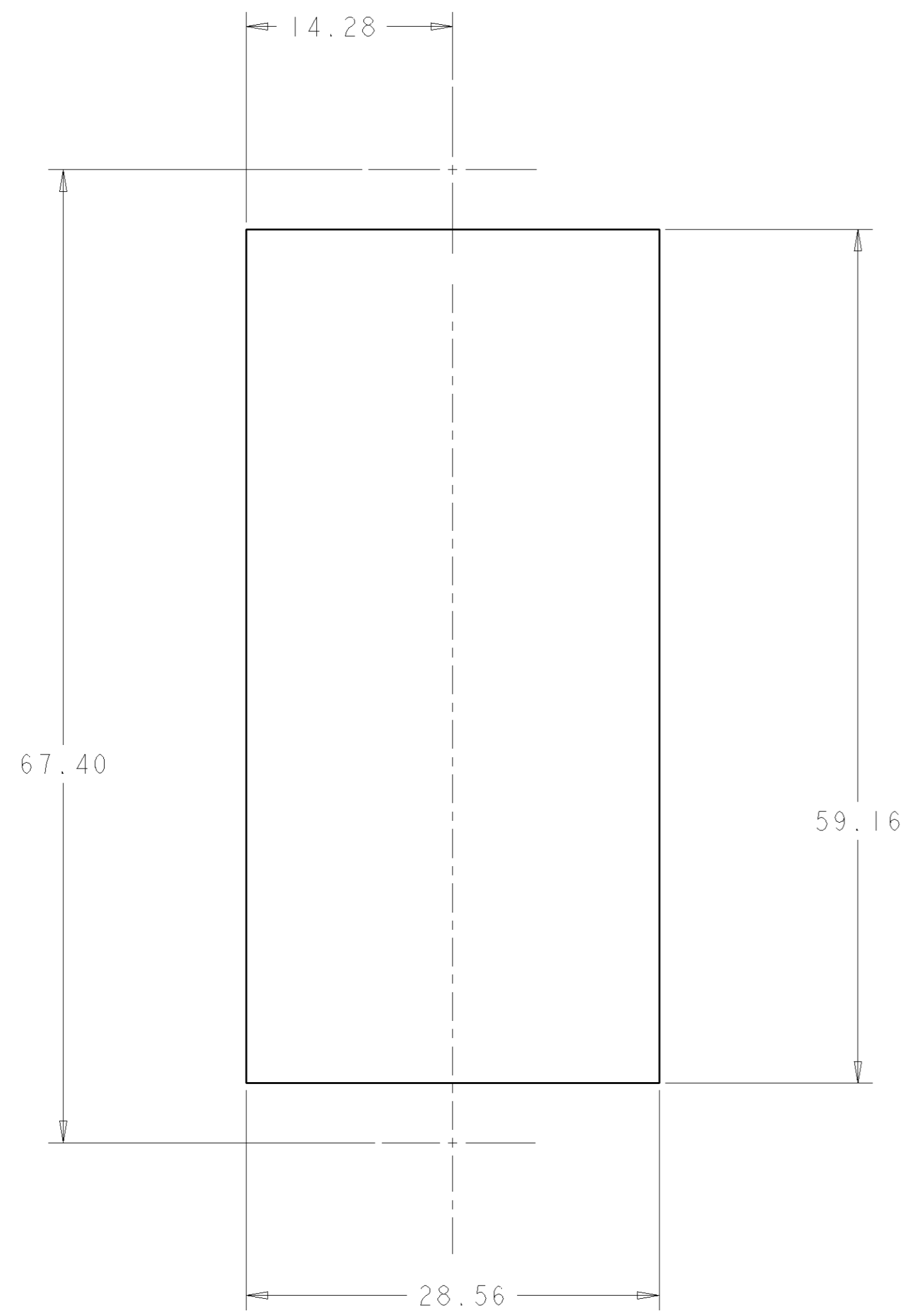
AS SHOWN	1926164-1
DESCRIPTION	PART NUMBER

<small>THIS DRAWING IS A CONTROLLED DOCUMENT FOR TYCO ELECTRONICS CORPORATION. IT IS SUBJECT TO CHANGE AND THE CONTROLLING ENGINEERING ORGANIZATION SHOULD BE CONTACTED FOR THE LATEST REVISION.</small>		DWN 20 JUN 2006 R. GRZYBOWSKI CHK 20 JUN 2006 S. FLICKINGER APVD 20 JUN 2006 S. FLICKINGER
DIMENSIONS: mm 	TOLERANCES UNLESS OTHERWISE SPECIFIED: 0 PLC ± 1 PLC ± 2 PLC ±.30 3 PLC ±.10 4 PLC ± ANGLES ±2 FINISH	PRODUCT SPEC - APPLICATION SPEC - WEIGHT - CUSTOMER DRAWING

Tyco Electronics Harrisburg, PA 17105-3608	
NAME CONNECTOR ASSEMBLY SOCKET P1050 DRAWER	
SIZE A200779	CAGE CODE G-1926164
DRAWING NO 1926164-1	RESTRICTED TO -
SCALE 3:1	SHEET 1 OF 2 REV A

THIS DRAWING IS UNPUBLISHED. RELEASED FOR PUBLICATION 20
 © COPYRIGHT 20 BY TYCO ELECTRONICS CORPORATION. ALL RIGHTS RESERVED.

LOC	DIST	REVISIONS			
P	LTR	DESCRIPTION	DATE	DWN	APVD
GP	00	-	SEE SHEET 1	-	-



SUGGESTED PANEL CUT-OUT
 VIEW FROM CONNECTOR MOUNTING SIDE

- PART NUMBER CHANGES AND OR DESIGN CHANGES AFFECTING ITEM INTERCHANGEABILITY REQUIRE PRIOR TYCO APPROVAL AND AUTHORIZATION BY REVISION TO THIS DRAWING.
- MATERIAL:
 - INSULATORS - THERMOPLASTIC, GLASS REINFORCED, COLOR: BLACK UL94V-0 FLAMMABILITY RATED.
 - SOCKET CONTACTS - COPPER ALLOY
 - RETENTION CLIPS: BERYLLIUM COPPER OR STAINLESS STEEL
 - CROWN BAND: BERYLLIUM COPPER
 - SHOULDER SCREWS: STAINLESS STEEL
- FINISH:
 - CONTACTS - SILVER PLATE .000200 INCH MIN. THK., OVER NICKEL .000040 INCH MIN. THK.

△ ITEMS PROVIDED TO THIS SPECIFICATION TO BE PERMANENTLY IDENTIFIED PER THE FOLLOWING IDENTIFIER LABEL

YEAR WEEK

TYCO PART NO. DATE CODE (e.g. 0106)
 XXXXXXX-X XXXX

△ CRIMP CONTACTS AND SHOULDER SCREWS (ITEM B AND C) SHALL BE PACKAGED SEPERATELY AND PLACED IN THE BOX WITH THE CONNECTOR ASSEMBLY.

△ 2	1650589-1	SHOULDER SCREW, M4 X 0.7	C
△ 8	6648318-1	CONTACT, SOCKET #12, CRIMP	B
1	1648596-1	SOCKET, CONNECTOR ASSY	A
-1	PART NUMBER	DESCRIPTION	ITEM NO.

<small>THIS DRAWING IS A CONTROLLED DOCUMENT FOR TYCO ELECTRONICS CORPORATION. IT IS SUBJECT TO CHANGE AND THE CONTROLLING ENGINEERING ORGANIZATION SHOULD BE CONTACTED FOR THE LATEST REVISION.</small>		DWN 20 JUN 2006 R. GRZYBOWSKI CHK 20 JUN 2006 S. FLICKINGER APVD 20 JUN 2006 S. FLICKINGER	tyco Electronics Tyco Electronics Harrisburg, PA 17105-3608
DIMENSIONS: mm 	TOLERANCES UNLESS OTHERWISE SPECIFIED: 0 PLC ± 1 PLC ± 2 PLC ±.30 3 PLC ±.10 4 PLC ± ANGLES ±2 FINISH	NAME CONNECTOR ASSEMBLY SOCKET P1050 DRAWER	SIZE CAGE CODE DRAWING NO. RESTRICTED TO A200779G-1926164 -
MATERIAL		WEIGHT	SCALE 3:1 SHEET 2 OF 2 REV A
CUSTOMER DRAWING			

ELCON P1050 DRAWER