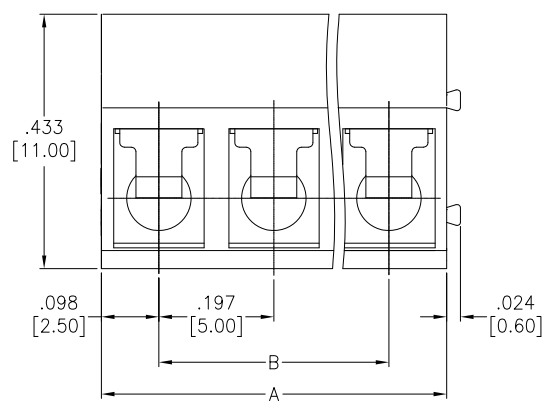
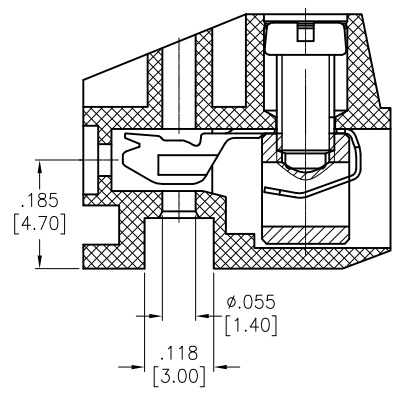
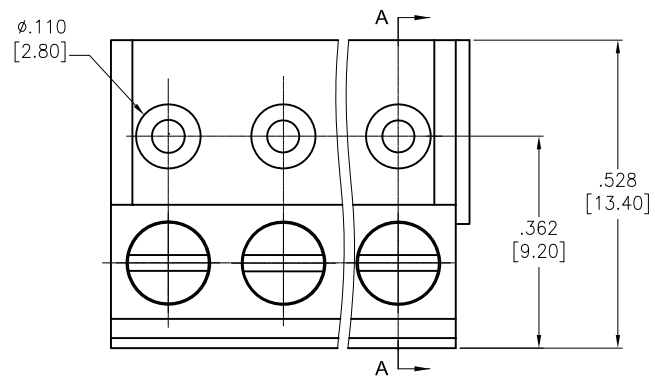


6 5 4 3 2 1

APPROVED: _____
DATE: _____ TITLE: _____

Rev	AWO #	Description	Date	Appr
-		RELEASED	3/12/15	
A		UPDATED DRAWING	6/12/17	HR/AC



SPECIFICATIONS:
 Material:
 Insulator: PA66, rated UL 94V-0
 Insulator color: Black
 Clamp: Phosphor Bronze, Nickel plated
 Cage: Brass, Nickel plated
 Screw: M2.5 Steel, Zinc plated
 Electrical:
 Voltage rated: 300 V
 Current rated: 10 A
 Contact resistance: 20 mΩ
 Insulation resistance: 500 MΩ @ 500 VDC
 Wire range: 28-16AWG, 1.5mm²
 Withstanding voltage: 2000V AC/1 Min
 Torque: 0.4N-m, 3.6 Lb-In
 Strip length: 4.5-5mm
 Temperature Rating:
 Operating temperature: -30°C to +120°C
 Environmental:
 Lead free, RoHS compliant.

SECTION A-A

Positions: 2 thru 24
 A = .197 [5.00] x No. of Positions
 B = .197 [5.00] x No. of Spaces

UNLESS OTHERWISE SPECIFIED ALL DIMENSIONS ARE INCHES [MM] TOLERANCES: EXCEPT AS NOTED		
INCHES		HOLES
.X ± .10	Ø.X ± .10	
.XX ± .020	Ø.XX ± .015	
.XXX ± .015	Ø.XXX ± .010	
APPROVALS		DATE
DRAWN	AY	3/12/15
CHECKED	YC	3/12/15
APPROVED		

ADAM TECH		
909 Rahway Avenue, Union, NJ 07083 Phone: 908-687-5000 Fax: 908-687-5710		
TITLE		
EURO BLOCK, .197 [5.00] PITCH		
SIZE	PART NO.	REV.
X	EBJA-XX-C-BK	A
REF: S00067C	SCALE: NTS	SHEET 1 OF 1

