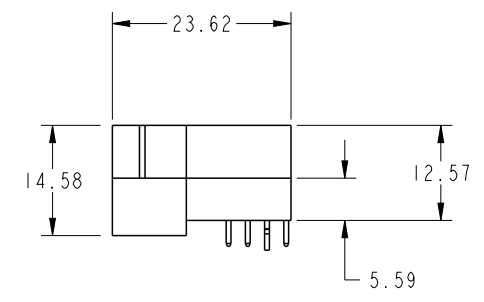
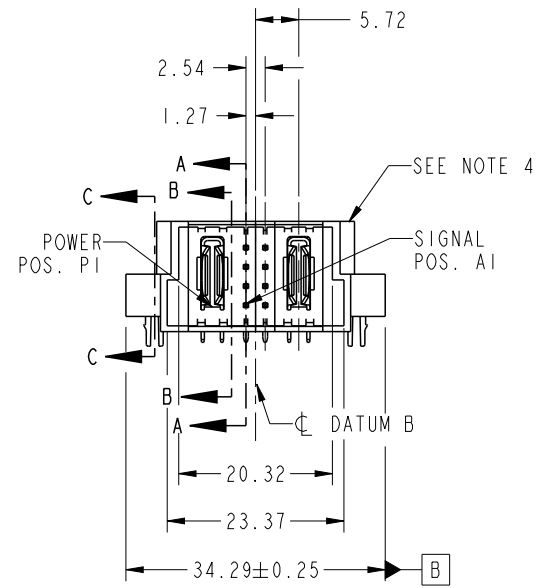
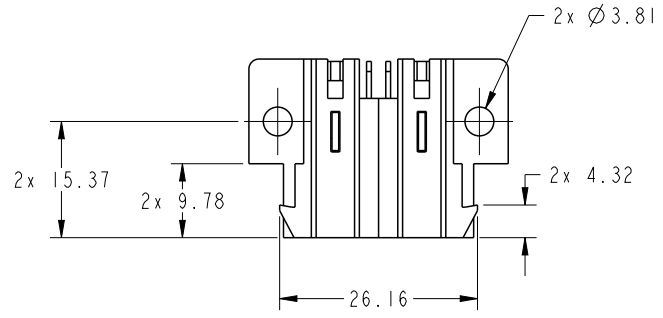


PRODUCT NO. 51939-853-- NOTE 3	ROWS DCBA	POWER				
		E1	P1	1 2	P2	E2

CODE	DIM "M" MATING LENGTH	CONTACT TYPE
U	[6.86]	SIGNAL
T	[6.86]	SIGNAL
S	[6.86]	SIGNAL
R	[6.86]	SIGNAL
PA	[N/A]	POWER
HA	[N/A]	HOLD-DOWN



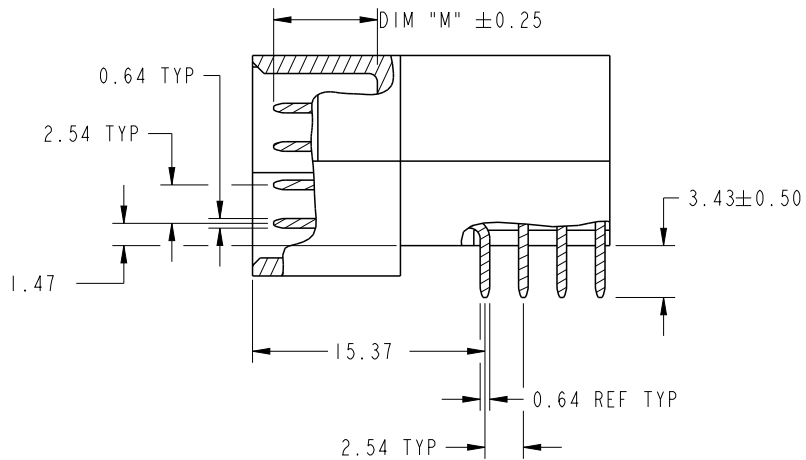
Copyright FCI.

spec ref	*	dr	Ruan MT	2014/03/28	projection 	MM ←→	size	A4	scale	1:1
tolerance std	ASME Y14.5	eng	Ruan MT	2014/04/13			ecn no	-		
TOLERANCES UNLESS OTHERWISE SPECIFIED		chr	-	-			rel level	Released		
surface	✓	appr	Pei-Ming Zheng	2014/04/13	product family	PwrBlade	rev			
ASME Y14.5	linear	0.X	±0.5	 <a href="http://www.fci.com">www.fci.com</a>	title		IP + 8S + IP	dwg no 51939-853	rev A	
		0.XX	±0.25		RIGHT ANGLE SOLDER HEADER					
	angular	0°	±2°		cat. no.	-	Product - Customer Drw			sheet 1 of 4

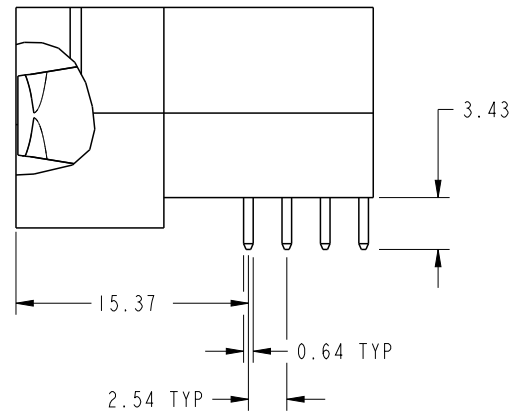
ProvE File - REV C - 2009-06-09

PRODUCT NUMBER

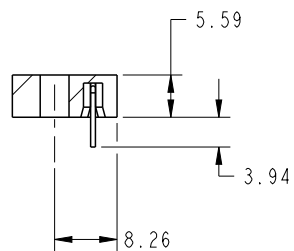
51939-853--  
NOTE: 3



BROKEN-OUT SECTION A-A  
SCALE 2:1



BROKEN-OUT SECTION B-B  
SCALE 2:1

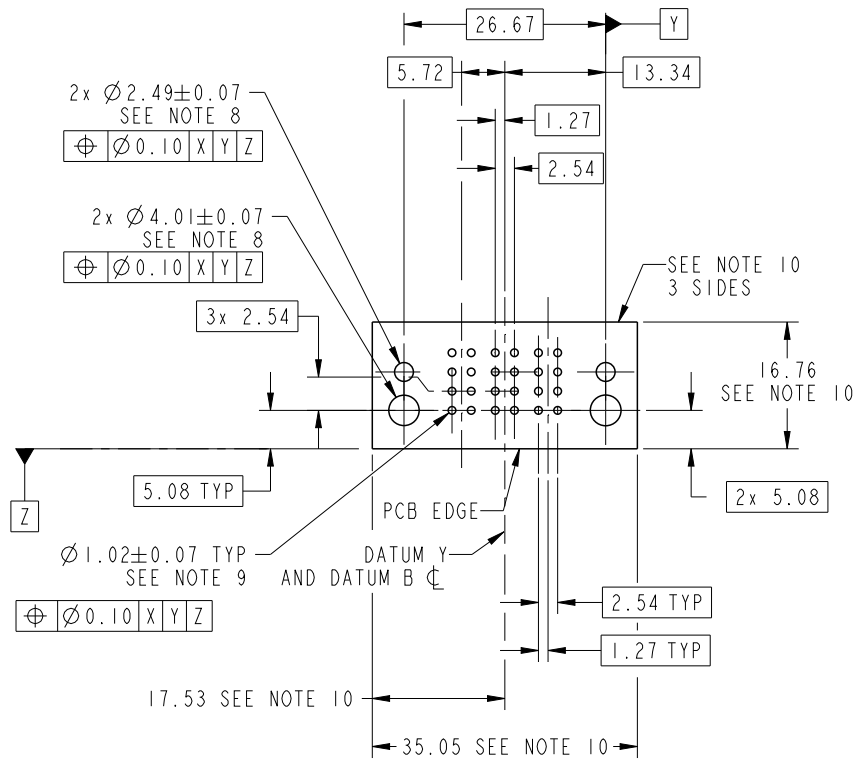


SECTION C-C

dr	Ruan MT	2014/03/28	projection 	MM 	size	A4	scale	1:1
eng	Ruan MT	2014/04/13			ecn no	-		
chr	-	-			rel level	Released		
appr	Pei-Ming Zheng	2014/04/13	product family	PwrBlade	rev	A		
	title	IP + 8S + IP		dwg no	51939-853			
www.fci.com	cat. no.	-	Product - Customer Drw	sheet	2 of 4			

PRODUCT NUMBER

51939-853\_\_  
NOTE: 3



RECOMMENDED PCB LAYOUT

dr	Ruan MT	2014/03/28	projection 	MM 	size	A4	scale	1:1
eng	Ruan MT	2014/04/13			ecn no	-		
chr	-	-			rel level	Released		
appr	Pei-Ming Zheng	2014/04/13	product family	PwrBlade	rev	A		
	title	IP + 8S + IP RIGHT ANGLE SOLDER HEADER		dwg no	51939-853			
www.fci.com	cat. no.	-	Product - Customer Drw	sheet 3 of 4				

PRODUCT NUMBER

51939-853\_\_  
NOTE: 3

NOTES:

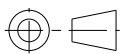


1. DIMENSIONS AND TOLERANCES ARE IN ACCORDANCE WITH ASME Y14.5M, 1994 UNLESS OTHERWISE SPECIFIED.

CONNECTOR NOTES:

- 2. HOUSING MATERIAL: UL 94 V-0 GLASS FILLED HIGH-TEMP THERMOPLASTIC  
POWER CONTACT MATERIAL: COPPER ALLOY  
SIGNAL PIN MATERIAL: COPPER ALLOY
- 3. SEE ITEM 1 & 2 IN PRINT 10064183 FOR PLATING SPEC OF 51939-853 AND 51939-853LF RESPECTIVELY.
- 4. MANUFACTURER'S NAME, DATE CODE AND OPTIONAL P/N TO APPEAR ON THIS SURFACE. THE MARK CAN BE OMITTED IF THERE IS NOT ENOUGH SPACE ON THIS SURFACE.
- 5. PRODUCT SPECIFICATION GS-12-149.  
APPLICATION SPECIFICATION BUS-20-067.
- 6. PACKAGED IN TRAYS.

PCB NOTES:

- 7. ALL HOLE DIAMETERS ARE FINISHED HOLE SIZE.
- 8. MOUNTING HOLES, WHERE APPLICABLE, ARE UNPLATED.
- 9.  $\varnothing 1.151 \pm 0.025$  DRILLED HOLES PLATED WITH  
0.008 MIN SnPb OR Sn OVER 0.03  
TO 0.08 Cu PLATING TO ACHIEVE  
 $\varnothing 1.02 \pm 0.07$  HOLE.
- 10. CONNECTOR KEEP-OUT ZONE.

dr	Ruan MT	2014/03/28	projection 	MM 	size	A4	scale	1:1
eng	Ruan MT	2014/04/13			ecn no	-		
chr	-	-						
appr	Pei-Ming Zheng	2014/04/13	product family	PwrBlade	rel level	Released		
		title IP + 8S + IP RIGHT ANGLE SOLDER HEADER	dwg no 51939-853	rev A				
www.fci.com	cat. no.	-	Product - Customer Drw			sheet 4 of 4		



Copyright FCI.