

1. 製品名称／PRODUCT NAME : 2.0MM PITCH W/B CONN. RETAINER

製品番号／PART NUMBER : 5 0 5 1 5 2 * * 0 0

(* * は極数を示す)

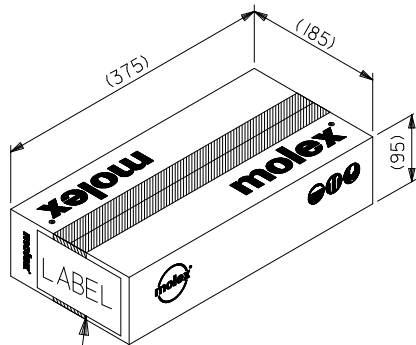
(* * IS CIRCUITS SIZE)

2. 標準梱包数／STANDARD PACKAGING QUANTITY

極 数 CKT. SIZE	ポリ袋 POLY BAG	内装カートン PRIMARY CARTON		外装カートン SHIPPING CARTON
	1袋中の製品数 QUANTITY IN ONE BAG	ポリ袋の数 NUMBER OF POLY BAG	製品数 QUANTITY	製品数(内装カートン×4) QUANTITY (PRIMARY CARTON X4)
2	2,000	10	20,000	80,000
3	2,000	9	18,000	72,000
4	2,000	8	16,000	64,000
5	1,000	12	12,000	48,000
6	1,000	10	10,000	40,000
7	1,000	9	9,000	36,000
8	1,000	9	9,000	36,000
9	1,000	8	8,000	32,000
10	1,000	7	7,000	28,000
11	1,000	7	7,000	28,000
12	1,000	6	6,000	24,000
13	500	10	5,000	20,000
14	500	10	5,000	20,000
15	500	10	5,000	20,000

REV.	B							
SHEET	1~2							
REVISE ON PC ONLY				TITLE:				
B	REVISED J2015-0144 2014/07/28 Y.TOKUZONO			5 0 5 1 5 2 梱包仕様書 SALES PACKAGING SPEC. FOR 505152				
	THIS DOCUMENT CONTAINS INFORMATION THAT IS PROPRIETARY TO MOLEX INC. AND SHOULD NOT BE USED WITHOUT WRITTEN PERMISSION							
REV.	DESCRIPTION			WRITTEN BY:	CHECKED BY:	APPROVED BY:	DATE: YR/MO/DAY	
	DESIGN CONTROL	STATUS		Y.TOKUZONO	T.HARUYAMA	H.HIRATA	2014/06/09	
DOCUMENT NUMBER							FILE NAME	SHEET
SPK-505152-001							SPK505152001.docx	1 OF 2

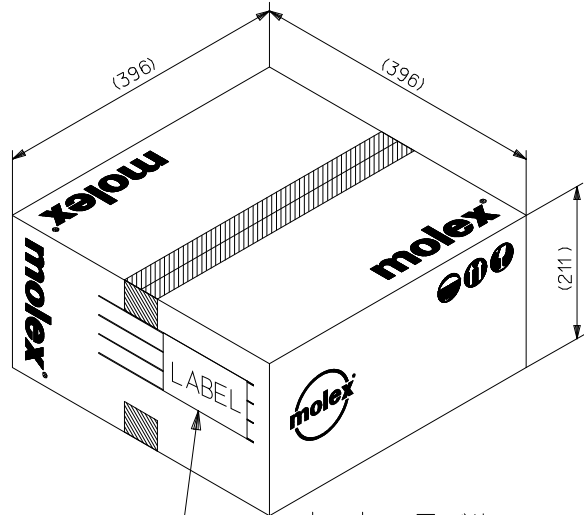
3. カートン外形参考寸法 / CARTON OUTER DIMENSIONS (REFERENCE PURPOSE ONLY) 単位 / UNIT: mm



カートンラベル
CARTON LABEL

(製品型番, 数量, ロットNO. 表示)
INDICATION OF PART No., QUANTITY, LOT No.

内装カートン
PRIMARY CARTON



カートンラベル
CARTON LABEL

(製品型番, 数量, ロットNO. 表示)
INDICATION OF PART No., QUANTITY, LOT No.

外装カートン
SHIPPING CARTON

REVISE ON PC ONLY		TITLE:	
B	SEE SHEET 1 OF 2	5 0 5 1 5 2 梱包仕様書 SALES PACKAGING SPEC. FOR 505152	
	REV.	DESCRIPTION	THIS DOCUMENT CONTAINS INFORMATION THAT IS PROPRIETARY TO MOLEX INC. AND SHOULD NOT BE USED WITHOUT WRITTEN PERMISSION
DOCUMENT NUMBER SPK-505152-001		FILE NAME SPK505152001.docx	SHEET 2 OF 2
EN-037(2013-04 rev.1)			