

# HDFKV 50-VP - Panel feed-through terminal block



0708580

<https://www.phoenixcontact.com/us/products/0708580>

Please be informed that the data shown in this PDF document is generated from our online catalog. Please find the complete data in the user documentation. Our general terms of use for downloads are valid.



Panel feed-through terminal block, connection method: Screw connection with tension sleeve, Cable lug connection, number of positions: 1, load current: 150 A, cross section: 16 mm<sup>2</sup> - 50 mm<sup>2</sup>, connection direction of the conductor to plug-in direction: -90 °, width: 18.8 mm

## Your advantages

- Well-known connection principle allows worldwide use
- Low temperature rise, thanks to maximum contact force
- Tool-free snap-in principle enables easy mounting on the device panel
- Automatic panel thickness compensation enables universal use
- Reliable seal even with low-viscosity molding compounds

## Commercial data

Item number	0708580
Packing unit	1 pc
Minimum order quantity	10 pc
Sales key	AA28
Product key	AA1FAE
Catalog page	Page 619 (C-1-2013)
GTIN	4017918004699
Weight per piece (including packing)	98.4 g
Weight per piece (excluding packing)	98.4 g
Customs tariff number	85369010
Country of origin	GR

# HDFKV 50-VP - Panel feed-through terminal block



0708580

<https://www.phoenixcontact.com/us/products/0708580>

## Technical data

### Product properties

Product type	Panel feed-through terminal block
Product family	HDFKV 50-VP
Number of positions	1
Pitch	18.8 mm
Number of connections	2
Number of rows	1
Number of potentials	1

### Insulation characteristics

Overvoltage category	III
Degree of pollution	3

### Electrical properties

Nominal current $I_N$	150 A
Nominal voltage $U_N$	690 V
Degree of pollution	3
Rated voltage (III/3)	690 V
Rated surge voltage (III/3)	8 kV

### Connection data

#### Connection technology

Connector system	HDFK 50
Nominal cross section	50 mm <sup>2</sup>

#### Conductor connection exterior

Connection method	Screw connection with tension sleeve
Connection direction of the conductor to plug-in direction	-90 °
Conductor cross section rigid	16 mm <sup>2</sup> ... 50 mm <sup>2</sup>
Conductor cross section flexible	16 mm <sup>2</sup> ... 50 mm <sup>2</sup>
Conductor cross section flexible, with ferrule without plastic sleeve	10 mm <sup>2</sup> ... 50 mm <sup>2</sup>
Conductor cross section, flexible, with ferrule, with plastic sleeve	10 mm <sup>2</sup> ... 50 mm <sup>2</sup>
2 conductors with same cross section, solid	6 mm <sup>2</sup> ... 16 mm <sup>2</sup>
2 conductors with same cross section, flexible	10 mm <sup>2</sup> ... 16 mm <sup>2</sup>
2 conductors with same cross section, flexible, with ferrule without plastic sleeve	6 mm <sup>2</sup> ... 16 mm <sup>2</sup>
2 conductors with the same cross section, flexible, with TWIN ferrule with plastic sleeve	6 mm <sup>2</sup> ... 10 mm <sup>2</sup>
Internal cylindrical gage	B10
Stripping length	24 mm
Tightening torque	6 Nm ... 8 Nm

# HDFKV 50-VP - Panel feed-through terminal block



0708580

<https://www.phoenixcontact.com/us/products/0708580>

## Conductor connection interior

Connection method	Cable lug connection
Connection direction of the conductor to plug-in direction	0 °

## Mounting

Plate thickness	1 mm ... 6 mm
-----------------	---------------

## Material specifications

### Material data - contact

Note	WEEE/RoHS-compliant, free of whiskers according to IEC 60068-2-82/JEDEC JESD 201
Contact material	Cu alloy
Surface characteristics	tin-plated

### Material data - housing

Color (Housing)	gray (7042)
Insulating material	PA
Insulating material group	I
CTI according to IEC 60112	600
Flammability rating according to UL 94	V0
Glow wire flammability index GWFI according to EN 60695-2-12	850
Glow wire ignition temperature GWIT according to EN 60695-2-13	775
Temperature for the ball pressure test according to EN 60695-10-2	125 °C

## Notes

### Safety note

Safety note	<ul style="list-style-type: none"><li>• Only electrically qualified personnel may install and operate the product. To recognize and prevent danger, the qualified personnel must be familiar with the basics of electrical engineering.</li><li>• Observe the technical data provided here and refer to the documents listed under "Downloads". The download area contains important information, such as installation notes, technical drawings, and 3D data.</li><li>• The cable entry funnel is not safe to touch. Never connect or disconnect the terminal when it is energized. Take appropriate steps to ensure touch protection.</li><li>• To maintain the nominal voltage, align the cable lugs straight and centered, and cast the terminals on the inside.</li><li>• There is no electrical contact to the housing. Make sure that protective grounding is provided for green/yellow color variants and articles marked with PE.</li></ul>
-------------	--

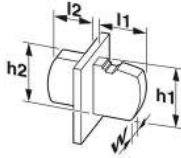
## Dimensions

# HDFKV 50-VP - Panel feed-through terminal block



0708580

<https://www.phoenixcontact.com/us/products/0708580>

Dimensional drawing	
Pitch	18.8 mm
Width [w]	18.8 mm

## External dimensions

Height [h1]	56 mm
Length [l1]	55 mm

## Internal dimensions

Height [h2]	37.02 mm
Length [l2]	35.1 mm

## Electrical tests

### Air clearances and creepage distances | 1. Insulation coordination

Insulating material group	I
Comparative tracking index (IEC 60112)	CTI 600
Rated insulation voltage (III/3)	690 V
Rated surge voltage (III/3)	8 kV
minimum clearance value - non-homogenous field (III/3)	8 mm
minimum creepage distance (III/3)	8 mm

## Packaging specifications

Type of packaging	packed in cardboard
-------------------	---------------------

# HDFKV 50-VP - Panel feed-through terminal block





0708580


<https://www.phoenixcontact.com/us/products/0708580>


## Approvals


To download certificates, visit the product detail page: <https://www.phoenixcontact.com/us/products/0708580>

 <b>CSA</b> Approval ID: 13631				
	Nominal voltage $U_N$	Nominal current $I_N$	Cross section AWG	Cross section $\text{mm}^2$
Use group B	600 V	125 A	6 - 1/0	-
Use group C	600 V	125 A	6 - 1/0	-

 <b>UL Recognized</b> Approval ID: E60425-19890329				
	Nominal voltage $U_N$	Nominal current $I_N$	Cross section AWG	Cross section $\text{mm}^2$
Use group B	600 V	170 A	6 - 2/0	-
Use group C	600 V	170 A	6 - 2/0	-

 <b>IECEE CB Scheme</b> Approval ID: NL-29947				
	Nominal voltage $U_N$	Nominal current $I_N$	Cross section AWG	Cross section $\text{mm}^2$
	690 V	150 A	-	- 50

 <b>EAC</b> Approval ID: B.01687				
--	--	--	--	--

 <b>KEMA-KEUR</b> Approval ID: 2169260.01				
	Nominal voltage $U_N$	Nominal current $I_N$	Cross section AWG	Cross section $\text{mm}^2$
	690 V	150 A	-	- 50

# HDFKV 50-VP - Panel feed-through terminal block



0708580

<https://www.phoenixcontact.com/us/products/0708580>

## Classifications

### ECLASS

ECLASS-11.0	27141134
ECLASS-13.0	27141134
ECLASS-12.0	27141134

### ETIM

ETIM 8.0	EC001283
----------	----------

### UNSPSC

UNSPSC 21.0	39121400
-------------	----------

# HDFKV 50-VP - Panel feed-through terminal block



0708580

<https://www.phoenixcontact.com/us/products/0708580>

## Environmental product compliance

China RoHS	Environmentally friendly use period: unlimited = EFUP-e No hazardous substances above threshold values
------------	---

Phoenix Contact 2023 © - all rights reserved  
<https://www.phoenixcontact.com>

Phoenix Contact USA  
586 Fulling Mill Road  
Middletown, PA 17057, United States  
(+717) 944-1300  
[info@phoenixcon.com](mailto:info@phoenixcon.com)