



Part Number: D4C4080Y

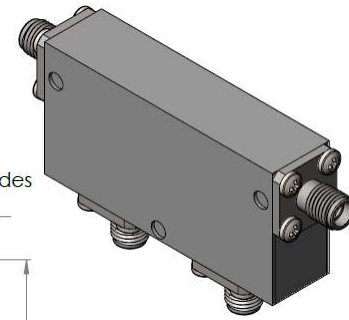
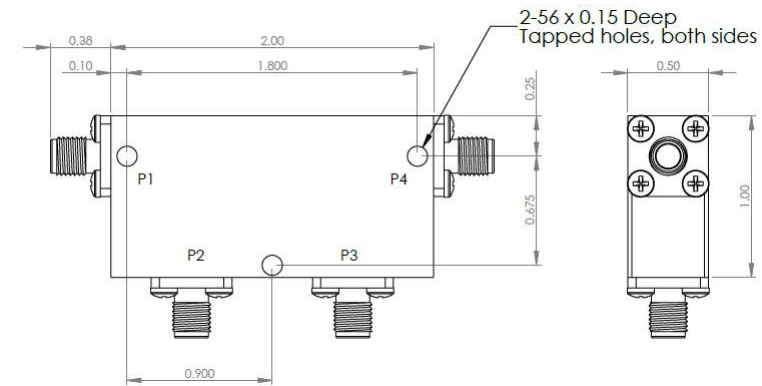
Electrical Specifications

Frequency Range (GHz):	4.0 – 8.0
Isolation (dB):	16 MIN (per junction)
Insertion Loss (dB):	0.8 MAX (per junction)
Return Loss (dB):	16 MIN (per junction)
Forward Power (W):	20 AVG 30 PK

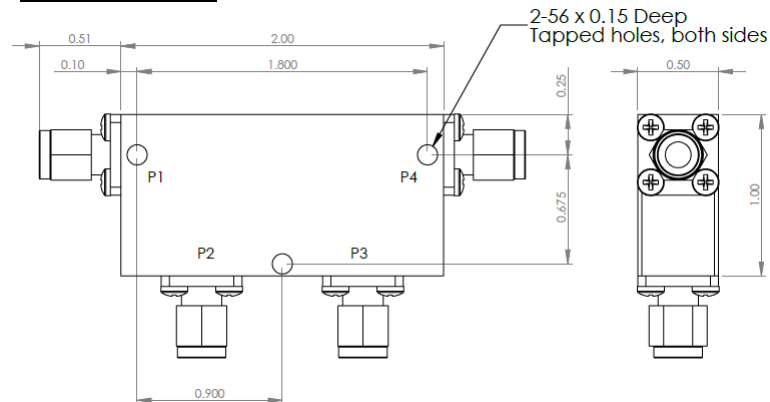
Mechanical/Environmental Specifications

Connector Type:	SMA
Connector Body:	Passivated stainless steel
Connector Pin:	Gold plated copper
Load Body:	Brass
Magnetic Shunt:	Nickel plated CRS
Operational Temp:	< 77K
Weight (oz)	4.0 MAX

D4C4080Y



D4C4080Y-3



Dimensions are in inches
Tolerance
XX ±0.03
XXX ±0.010

Type of Device	PN Suffix	Connector Configuration Input / Output	PN Example
Dual Junction Circulator 4-Port Device Port 1 / Port 2 / Port 3 / Port 4	No Dash	Female / Female / Female / Female	D4C4080Y
	-1	Male / Female / Female / Female	D4C4080Y-1
	-2	Female / Male / Female / Female	D4C4080Y-2
	-3	Male / Male / Male / Male	D4C4080Y-3
	-4	Female / Female / Male / Female	D4C4080Y-4
	-5	Female / Female / Female / Male	D4C4080Y-5



MEASURED DATA

Part Number: D4C4080Y, P4→P1, P2 & P3 Terminated with 50Ω, Measured at 77K

