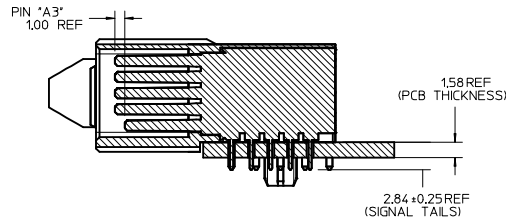
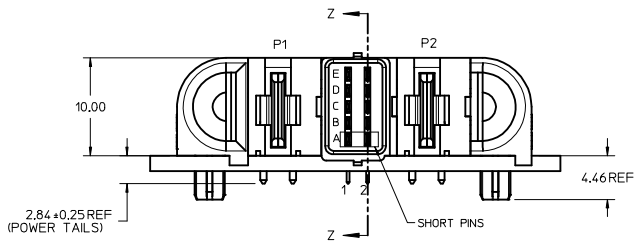
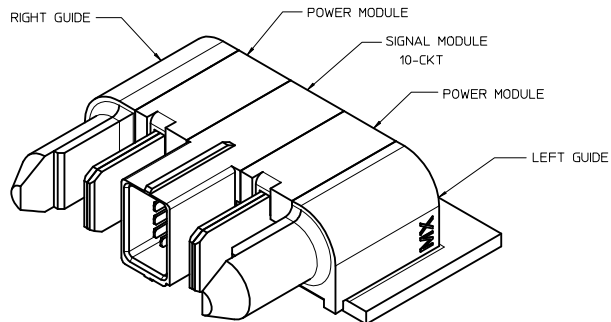
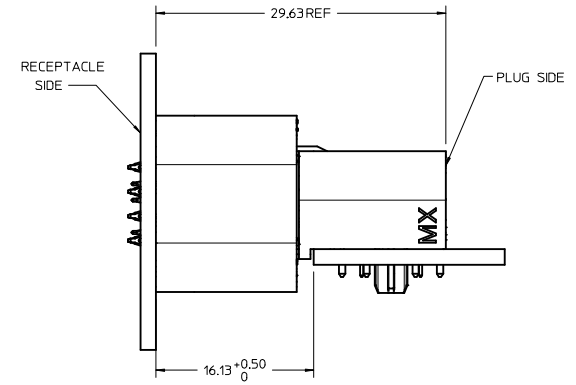


RECOMMENDED PCB LAY OUT AND KEEP-OUT ZONE



SECTION Z-Z



P/N: 46437-1001

NOTES:

- MATERIAL:
 - HOUSINGS: LCP UL94, V-0, COLOR: BLACK.
 - TERMINALS: COPPER ALLOY.
 - PLATING: 0.00127 NICKEL OVERALL WITH 0.00254 SELECTIVE MATTE TIN ON SOLDER TAILS AND 0.000762 SELECTIVE GOLD ON CONTACT AREA.
- PACKAGING ASSEMBLIES TO BE TRAY PACKED. PER PACKAGING SPEC PK-46437-005
- PC BOARD REQUIRES SOLDER THRU HOLES, REFER TO PS-46436-100 FOR DETAILS
- PRODUCT SPEC: PS-46436-100.
- APPLICATION SPEC: AS-46436-100.
- SEE PRODUCT SPEC FOR RoHS REQUIREMENTS.
- ASSEMBLY MATES TO MOLEX RECEPTACLE ASSEMBLY P/N 46562-1001

PIN LOCATION ADDED IN TOP VIEW IEC NO: LCP2015-4410 DRAWN BY: DRWN:HTHAGARAJ 2015/04/22 CHKD:SRAMAKRISHNA 2015/04/22 APPR:KPRASAD 2015/06/12	QUALITY SYMBOLS	GENERAL TOLERANCES (UNLESS SPECIFIED)	DIMENSION STYLE	SCALE	DESIGN UNITS	THIRD ANGLE PROJECTION
	▽=0	mm INCH	MM ONLY	4:1	METRIC	
	▽=0	4 PLACES ±--- ±---	DRAWN BY: TMPATIL 2011/01/21	DATE	TITLE	RA PLUG ASSY
	▽=0	3 PLACES ±--- ±---	CHECKED BY: BKOSTIC 2011/01/21	DATE		1P-10S-1P
	1 PLACE ±0.25 ±---	APPROVED BY: RNELSON 2011/05/18	DATE			TEN60 POWER FAMILY
	ANGULAR ±1/2°					MOLEX INCORPORATED
	DRAFT WHERE APPLICABLE MUST REMAIN WITHIN DIMENSIONS		MATERIAL NO. 46437-1001	DOCUMENT NO. SD-46437-1001		
			SIZE D			SHEET NO. 1 OF 1