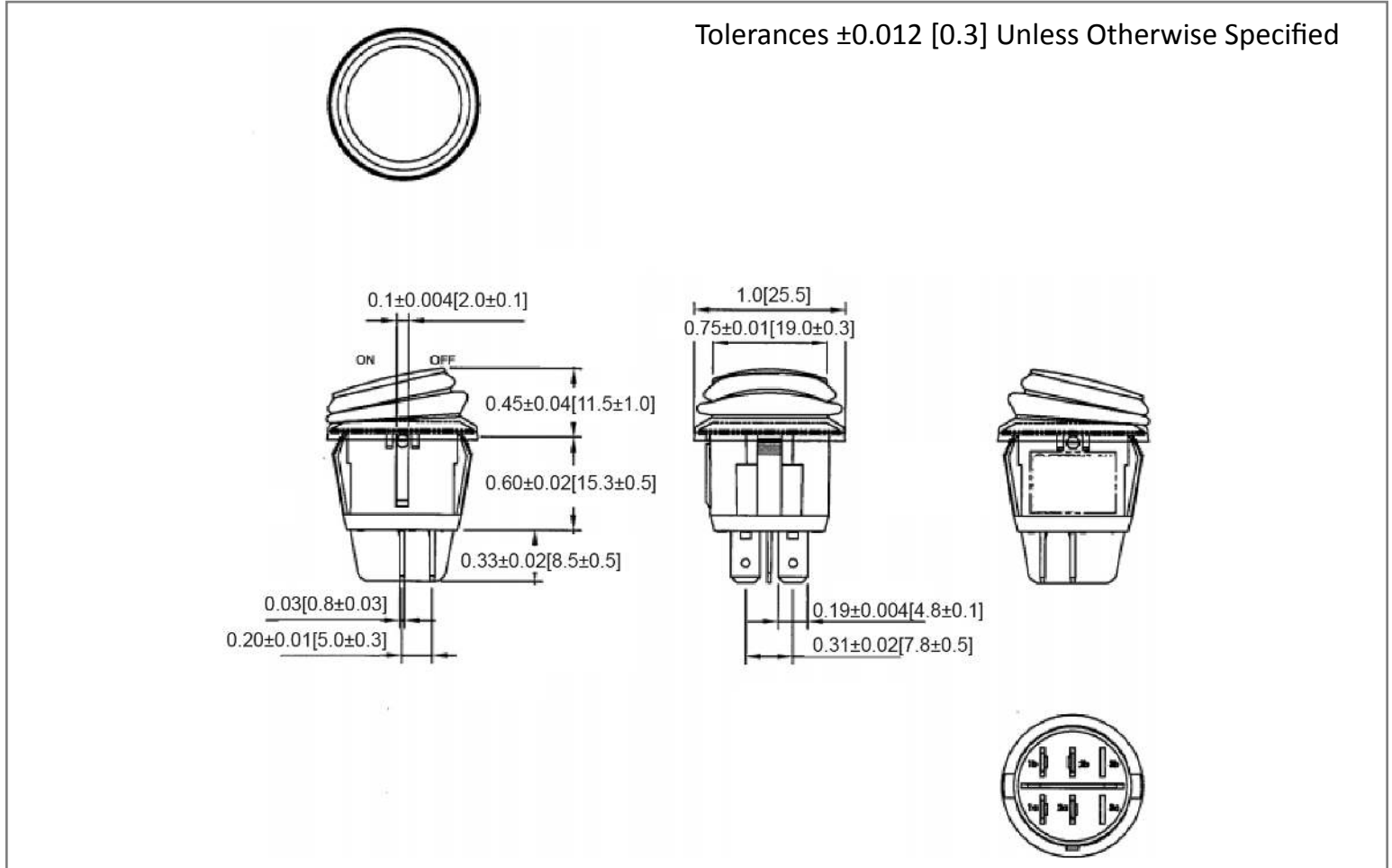
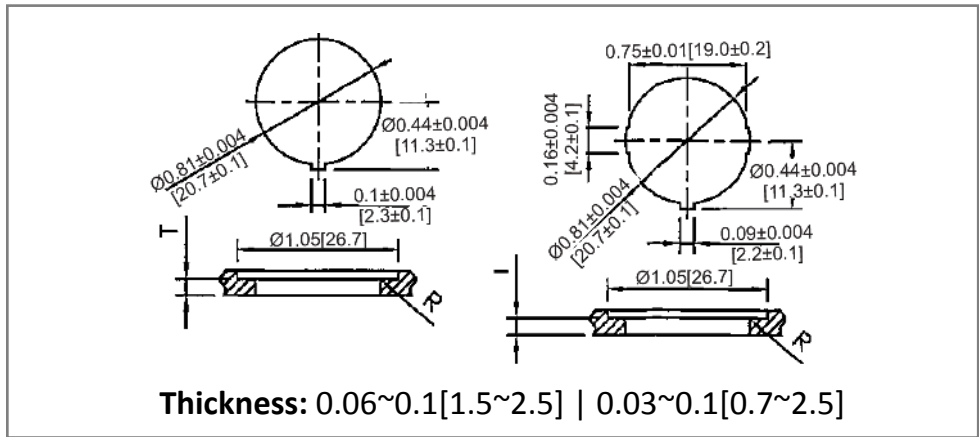


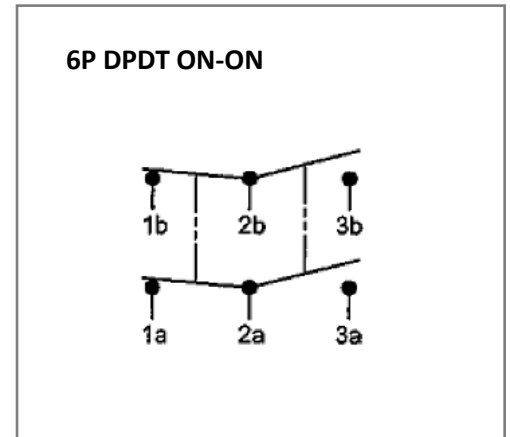
Mechanical Dimensions: Inches [mm]



Mounting Hole



Circuit Diagram



Electrical Specifications

<b>Rating</b>	16A 125V AC, 10A 250V AC 10(4)A 125/250V AC
<b>Contact Resistance</b>	50m ohm Max
<b>Insulation Resistance</b>	DC 500V 100M ohm Min
<b>Dielectric Strength</b>	AC 1500V 1 minute
<b>Operation Temperature</b>	-25°C~85°C

Material Specifications

<b>Frame</b>	Black, Nylon#66 (94-V2)
<b>Actuator</b>	Black, PC (94-V2)
<b>Terminals</b>	Copper alloy, Silver plated
<b>Waterproof</b>	IP65
<b>Waterproof Rubber</b>	Black, Silicone

Rev	Date of issue	Revision Notes	Designed	Approved
B	11-30-2021	Initial Drawing	RC	OF