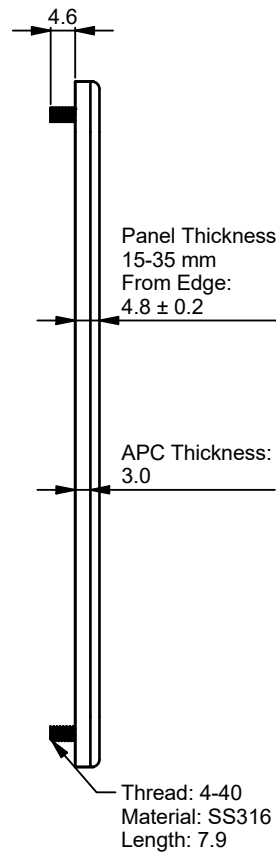
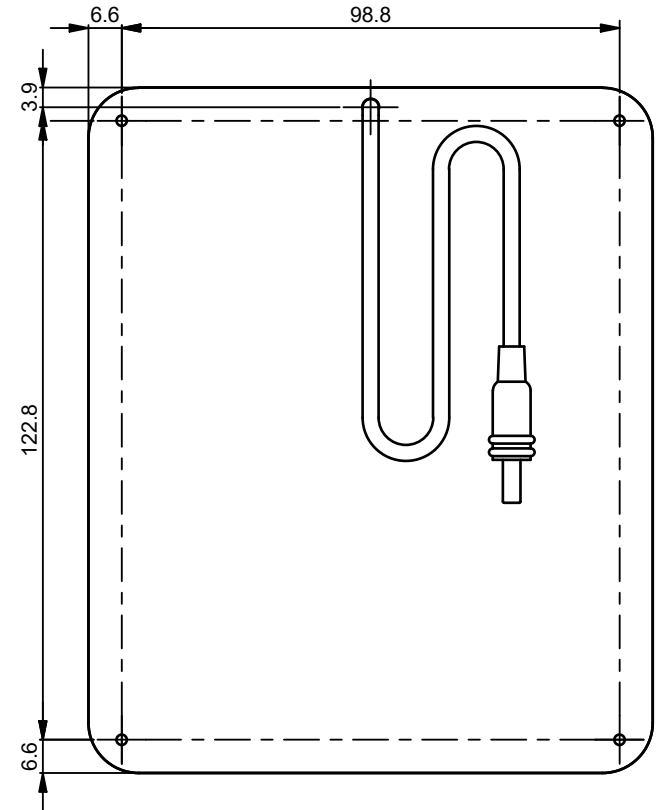


**Front**



**Side**



**Back**



**Drawing Details**

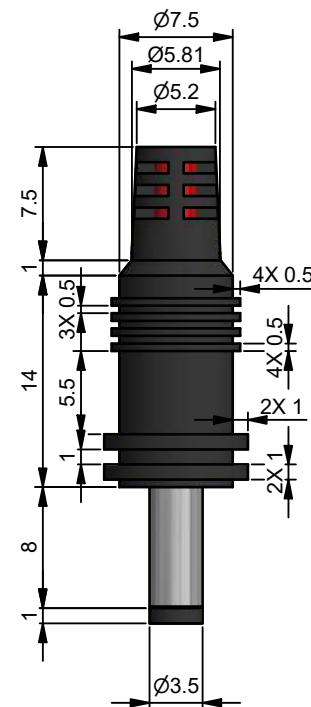
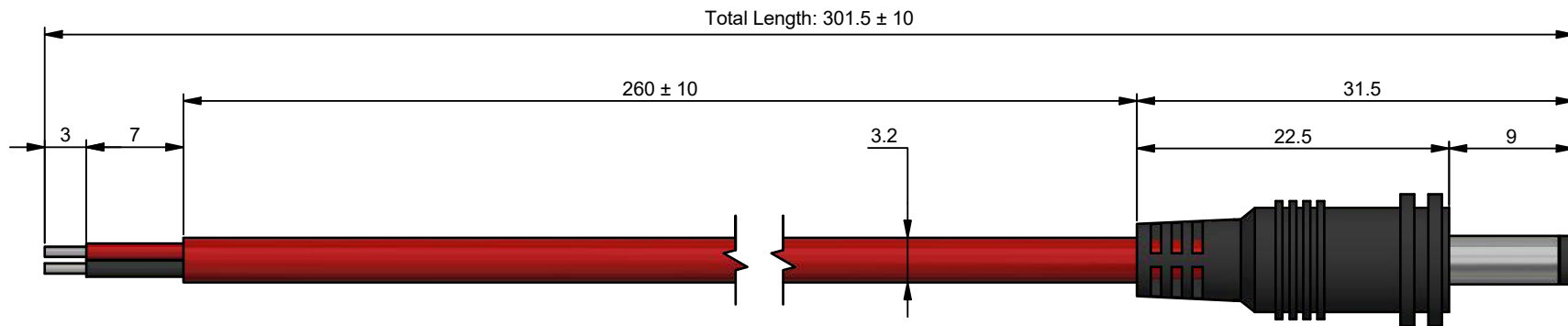
Panel Number:	P102
Revision:	R3A
Engineer:	TK
Checked By:	SM
Date Created:	2017-07-03
Date Modified:	2017-09-12
Changes:	Production Release
Tolerance:	± 0.3
Units:	mm
Scale:	1:1.5
Sheet:	1/2

**Construction**

All Materials RoHS Compliant
Substrate: Charcoal APC
Encapsulant: Urethane
Top Layer: Urethane
Wire Number: W017
Wire Length: 260 ± 10
Strain Relief: N/A
Attachment: 4X 4-40 Screws
Waterproof Rating: IP67

**Power Specifications**

Output Tolerance: ± 10% of Voltage and Current				
Solar Cell: EEPV EE6E3C 3BB				
Nominal Efficiency: ≥ 19.5%		Cell Pieces: 12		
Panel Electrical Ratings		Nominal	Expected	
Open-Circuit Voltage	Voc	7.67	7.28	V
Voltage at Max Power	Vp	6.50	6.18	V
Short-Circuit Current	Isc	0.38	0.37	A
Current at Max Power	Ip	0.36	0.34	A
Maximum Power	Wp	2.32	2.09	W



Drawing Details		Wire Details	
Wire Number:	W017	All Materials RoHS Compliant	
Revision:	R1A	Length:	260 ± 10
Engineer:	TK	Conductor Gauge:	22 AWG
Checked By:	SM	Connector:	M3511
Date Created:	2014-03-18	Crimp:	N/A
Date Modified:	2018-06-28	Jacket Color:	Red
Changes:	N/A	Jacket Material:	PU
Tolerance:	± 0.3	Units:	mm
Scale:	2	Sheet:	2/2
		Insulator Colors:	Black and Red
		Insulator Material:	PVC

This document contains proprietary information and may not be copied or shared without the consent of Voltaic Systems