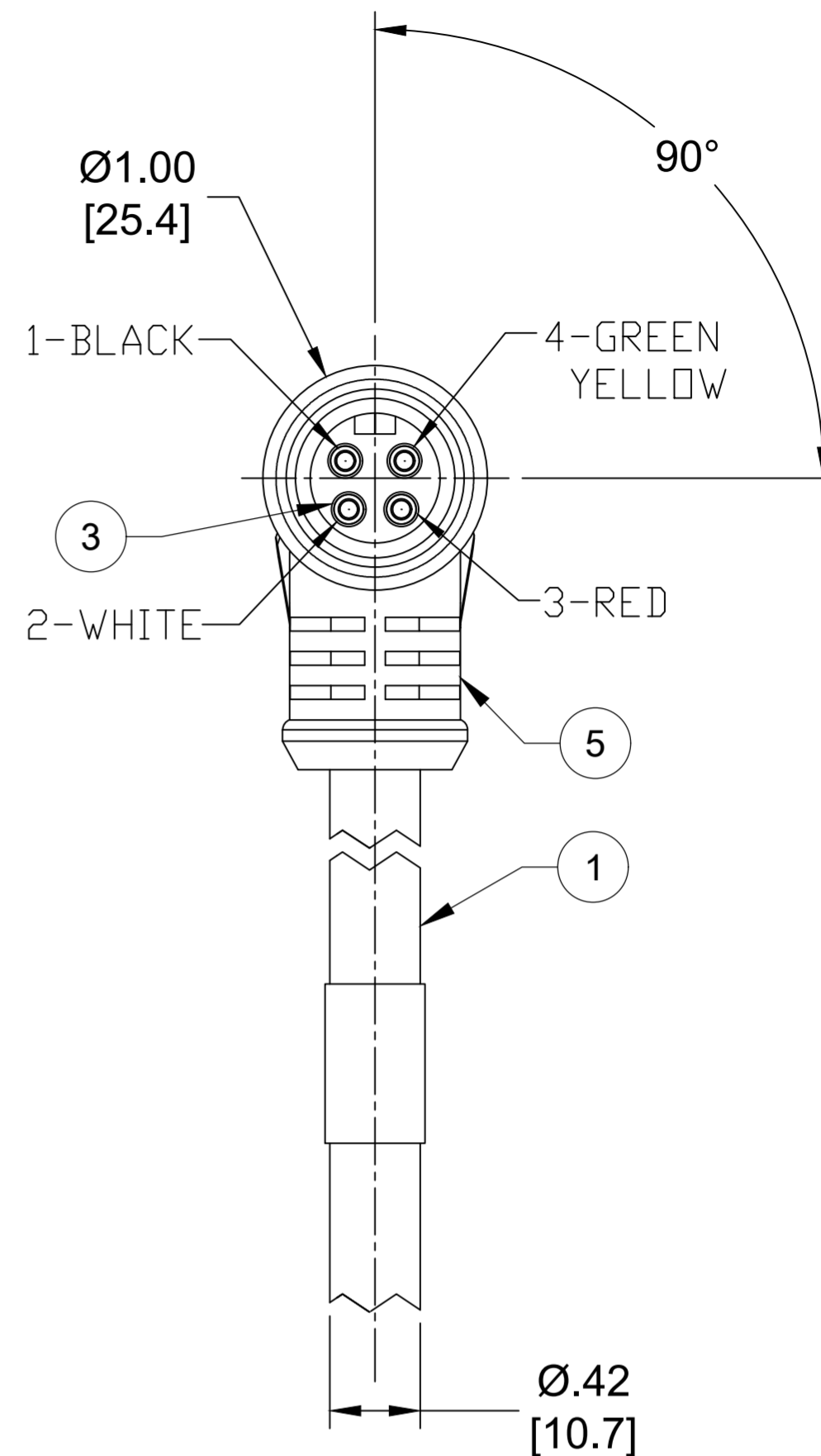
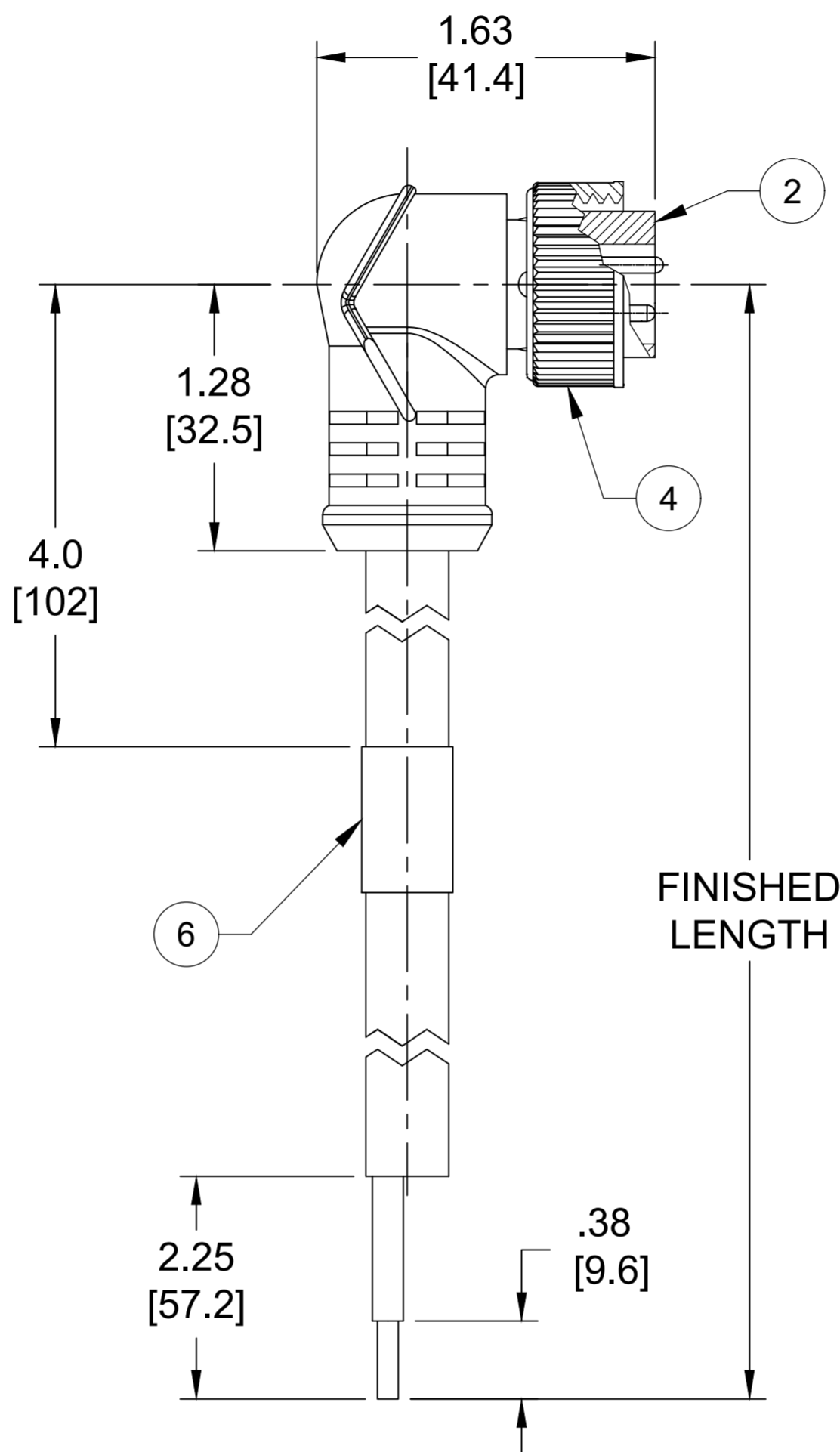
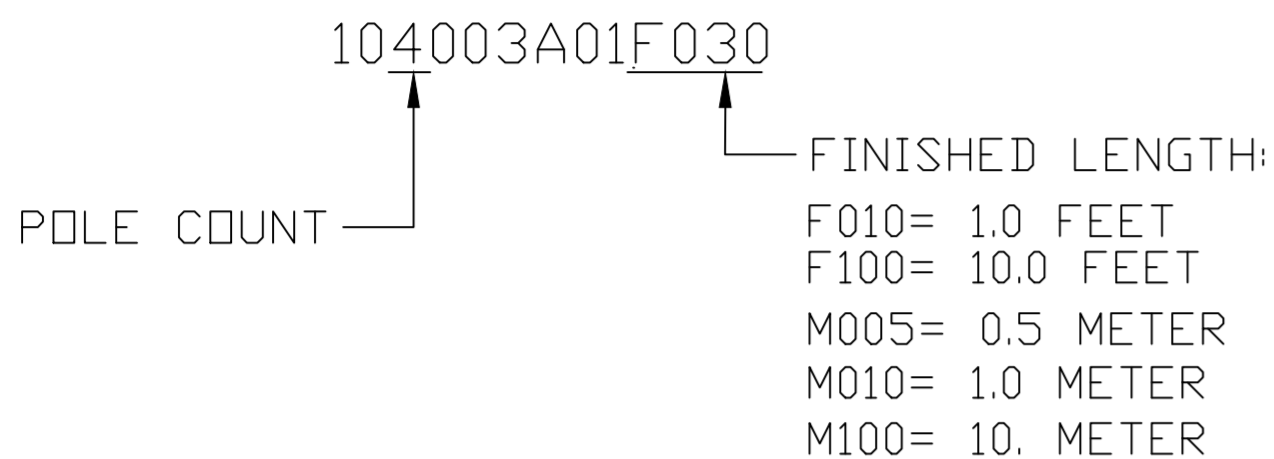


PART NO.	ENGINEERING NO.	FINISHED LENGTH
1300061105	104003A01M020	2.0M [6FT 7IN]
1300061084	104003A01F030	3.0FT [9.1M]
1300061087	104003A01F060	6.0FT [1.8M]
1300061095	104003A01F200	20.0FT [6.1M]

REF. THIS DRAWING SUPERSEDES SD-130006-035 REV-1 (A)

PART NUMBER LEGEND



- NOTES:**
1. MATERIAL: AS NOTED
 2. FINISH: AS NOTED
 3. ELECTRICAL:
VOLTAGE: 483V PER IEC60664
600V PER UL2238
CURRENT: 10A
 4. TEMP RATING: -20°TO +80°C
 5. PROTECTION: IP67 (WHEN MATED)
 6. COUPLING THREAD: 7/8-16UN
 7. UL RECOGNIZED FILE: E152210
CSA CERTIFIED FILE: LR6837
 8. ALL DIMS ARE FOR REFERENCE UNLESS TOLERANCED OR NOTED OTHERWISE

CABLE LENGTH TOLERANCES

>.3M [1FT]	+19mm-0 [+ .75in-0]
.3 - .9M [1 - 3FT]	+44.5mm-0 [+1.75in-0]
.9 - 1.8M [3 - 6FT]	+55.6mm-0 [+2.19in-0]
1.8 - 3.7M [6 - 12FT]	+88.9mm-0 [+3.50in-0]
3.7 - 7.3M [12 - 24FT]	+165.1mm-0 [+6.50in-0]
7.3-14.6M [24 - 48FT]	+317.5mm-0 [+12.50in-0]
14.6 - 30.5M [48-100FT]	+622.3mm-0 [+24.50in-0]
OVER 30M [100FT]	+2% OF FINISHED LENGTH

ITEM	DESCRIPTION	MATERIAL	FINISH
6	WRAP LABEL	VINYL	BLACK/YELLOW
5	OVERMOLD	TPE	YELLOW
4	COUPLING NUT, INT. THD	ZINC DIE-CAST	NICKEL PLATED
3	CONTACT PIN	COPPER ALLOY	GOLD PLATED
2	MALE INSERT	TPE	YELLOW
1	CABLE, 16/4, STOOD	PVC JACKET	YELLOW

<p>SYMBOLS</p> <p>THIS DRAWING CONTAINS INFORMATION THAT IS PROPRIETARY TO MOLEX ELECTRONIC TECHNOLOGIES, LLC AND SHOULD NOT BE USED WITHOUT WRITTEN PERMISSION</p>				<p>CURRENT REV DESC: REDRAWN, WAS SD-130006-035</p>																					
<p>DIMENSION UNITS</p> <p>INCH/MM</p>		<p>SCALE</p> <p>1:1</p>		<p>EC NO: 624117</p>		<p>molex</p>																			
<p>GENERAL TOLERANCES (UNLESS SPECIFIED)</p> <table border="1"> <thead> <tr> <th></th> <th>mm</th> <th>INCH</th> </tr> </thead> <tbody> <tr> <td>4 PLACES</td> <td>±----</td> <td>±----</td> </tr> <tr> <td>3 PLACES</td> <td>±----</td> <td>±----</td> </tr> <tr> <td>2 PLACES</td> <td>±----</td> <td>±----</td> </tr> <tr> <td>1 PLACE</td> <td>±----</td> <td>±----</td> </tr> <tr> <td>0 PLACES</td> <td>±----</td> <td>±----</td> </tr> </tbody> </table>					mm	INCH	4 PLACES	±----	±----	3 PLACES	±----	±----	2 PLACES	±----	±----	1 PLACE	±----	±----	0 PLACES	±----	±----	<p>DRWN: RSTONE 2019/09/10</p> <p>CHK'D: MZIELINSKI 2019/09/19</p> <p>APPR: BWOODMAN 2019/10/03</p>		<p>MINI CHANGE CABLE ASSY, 4P, MALE, 90 DEG 16AWG, STOOD, INTERNAL THREAD</p>	
	mm	INCH																							
4 PLACES	±----	±----																							
3 PLACES	±----	±----																							
2 PLACES	±----	±----																							
1 PLACE	±----	±----																							
0 PLACES	±----	±----																							
<p>ANGULAR TOL ± ---- °</p> <p>DRAFT WHERE APPLICABLE MUST REMAIN WITHIN DIMENSIONS</p>				<p>INITIAL REVISION:</p> <p>DRWN: RSTONE 2019/09/10</p> <p>APPR: BWOODMAN 2019/10/03</p>		<p>PRODUCT CUSTOMER DRAWING</p>																			
<p>THIRD ANGLE PROJECTION</p>		<p>DRAWING</p> <p>C-SIZE</p>		<p>SERIES</p> <p>130006</p>		<p>DOCUMENT NUMBER</p> <p>1300061084</p>																			
<p>MATERIAL NUMBER</p> <p>----</p>		<p>CUSTOMER</p> <p>----</p>		<p>DOC TYPE DOC PART REVISION</p> <p>PSD 000 A</p>		<p>SHEET NUMBER</p> <p>1 OF 1</p>																			