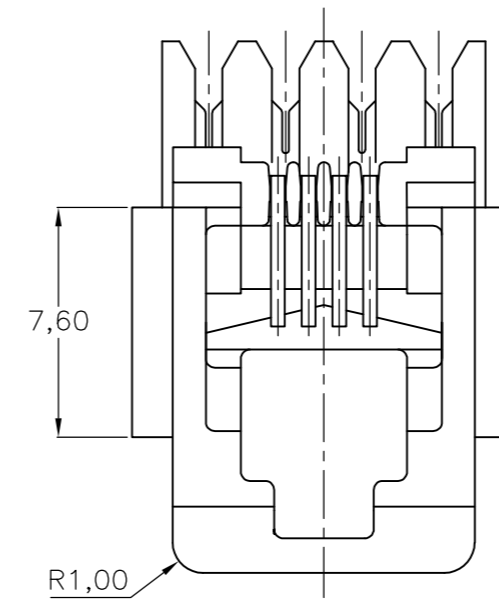
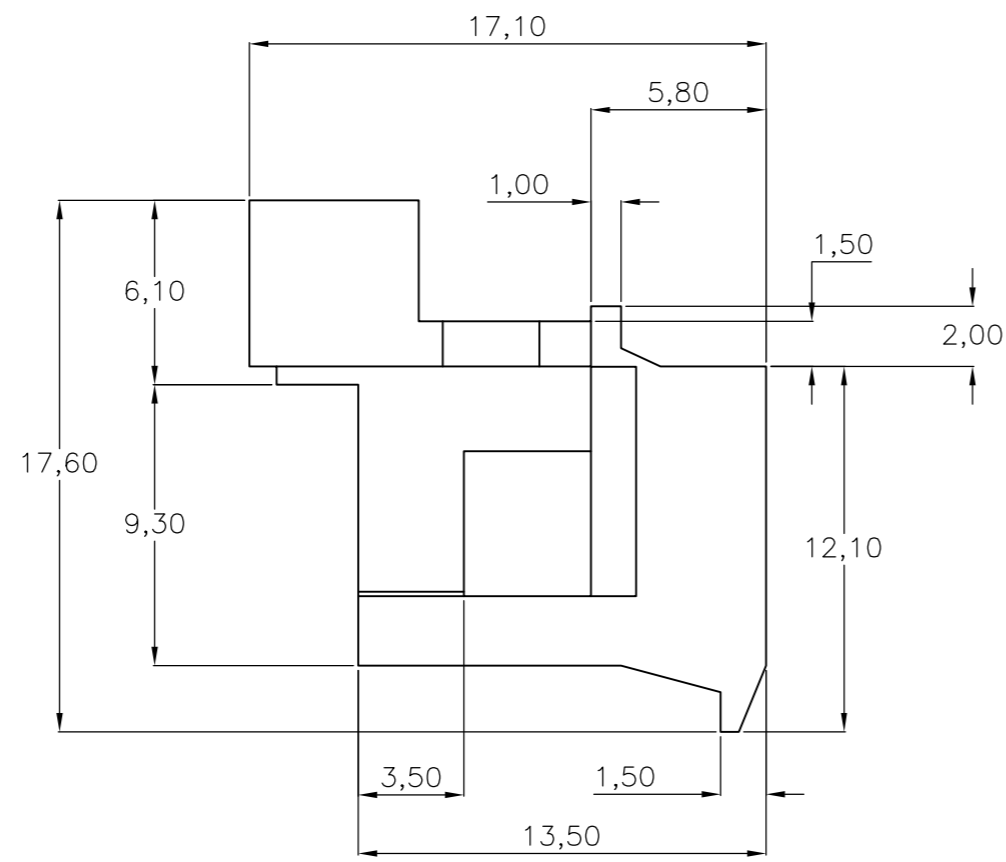
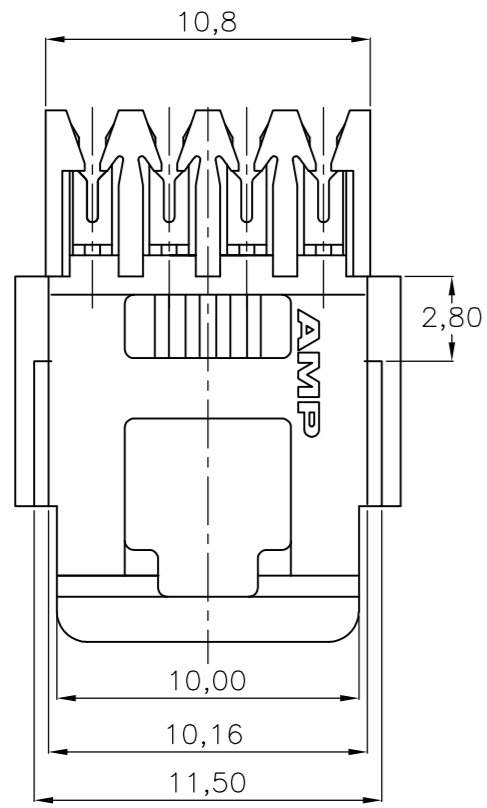
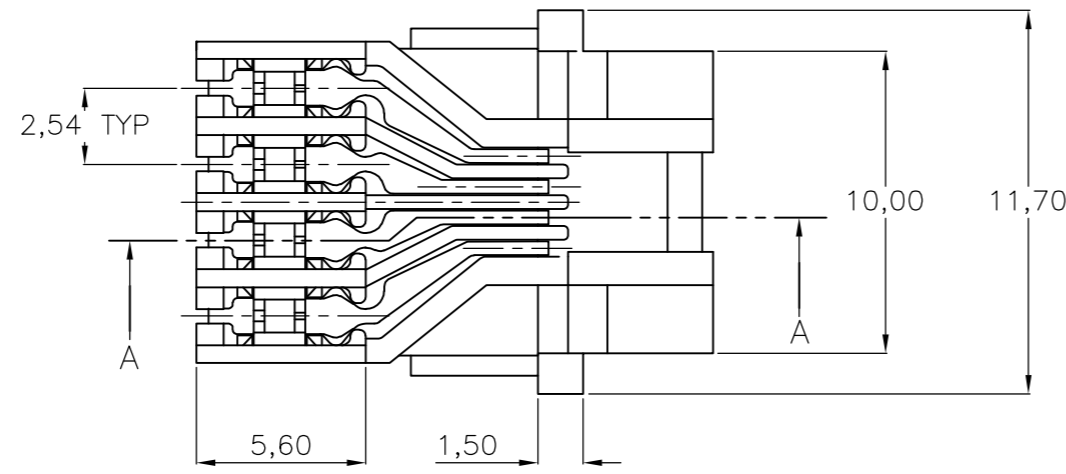


THIS DRAWING IS UNPUBLISHED. RELEASED FOR PUBLICATION
 © COPYRIGHT BY TYCO ELECTRONICS CORPORATION. ALL INTERNATIONAL RIGHTS RESERVED.

LOC	DIST	REVISIONS					
		P	LTR	DESCRIPTION	DATE	DWN	APVD
H	-	M		EH-0176-98	10-02-98	EVE	-
		N		ECR-06-013127	31-05-06	MO	-
		N1		ECR-08-012368	30-07-08	AEG	WRV

NOTES:

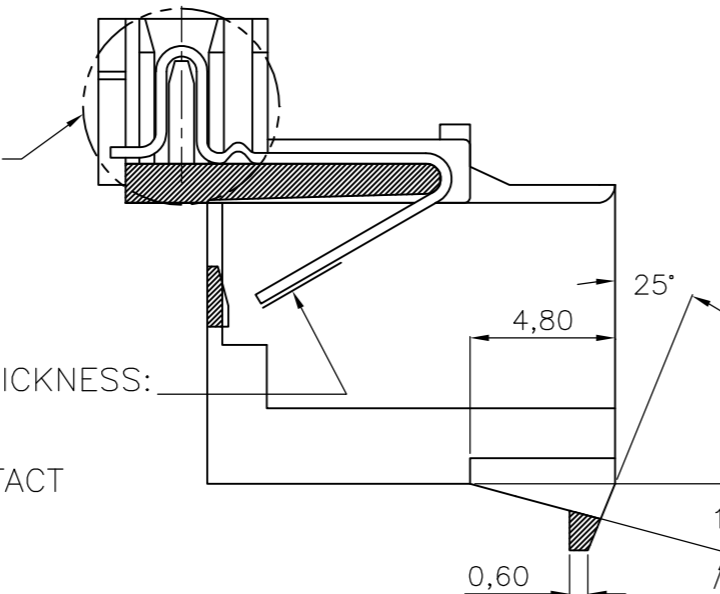
- FOR APPLICATION INFORMATION SEE TE SPECIFICATION 114-19005.
- FOR PERFORMANCE REQUIREMENTS SEE TE SPECIFICATION 108-19039.



CONTACT PLATING IN THIS AREA:
1.25 μm MIN TIN

CONTACT AREA GOLD PLATING THICKNESS:
SEE TABLE

UNDER PLATING ON ENTIRE CONTACT
1.25 μm NICKEL



SECTION A-A

MATERIAL OF CONTACTS:
PHOS. BRONZE

PACKAGING	GOLD PLATING IN CONTACT AREA	HOUSING MATERIAL	ORDER NUMBER
700 pcs. ON 60 cm. DIA. REEL	0.8 μm	ABS COLOR: CLEAR	2-167836-6
	1.2 μm	NYLON, 13%G.F. COLOR: BLACK	2-167836-4
3000 pcs. IN A BOX.	0.8 μm	ABS COLOR: CLEAR	167836-6
	1.2 μm	NYLON, 13%G.F. COLOR: BLACK	167836-4
			167836-1

THIS DRAWING IS A CONTROLLED DOCUMENT.

DWN: P. BEIJNON 27APR89
 CHK: -
 APVD: -
 PRODUCT SPEC: -
 APPLICATION SPEC: -
 WEIGHT: -

Tyco Electronics Tyco Electronics Corporation
 's-Hertogenbosch, Nederland

NAME: MODULAR JACK M.T., 4 POS./4 CONT., (WITH INSULATION DISPLACEMENT CONTACTS)

SIZE: A2 CAGE CODE: 00779 DRAWING NO: 167836 RESTRICTED TO: -

CUSTOMER DRAWING SCALE: NTS SHEET: 1 of 1 REV: N1