

NetManager™ Horizontal Cable Managers

specifications

Horizontal cable managers shall be capable of managing copper or fiber cables. They shall be molded out of plastic and incorporate bend radius control throughout the fingers, pass through holes, and transitions between horizontal and vertical pathways. Front hinged cover shall open 180° in up or down position. They shall mount to any standard EIA 19" rack.



technical information

Dimensions:

Part Number	Height in (mm)	Width in (mm)	Depth in (mm)
NCMH2	3.47 (88.1)	19.0 (482.6)	9.75 (247.7)
NCMHF2	3.47 (88.1)	19.0 (482.6)	3.75 (95.3)
NCMHF1	1.72 (43.7)	19.0 (482.6)	3.75 (95.3)

Mounting options:

Mounts to standard EIA 19" rack or 23" rack with optional extender bracket

Packaging:

Cable management panels include hinged front cover, snap-on rear cover, and mounting hardware

Finger spacing:

3/8" spacing between fingers

Bend radius control:

1/2" bend radius for fingers, transitions, and pass throughs on front
3/8" bend radius for fingers on rear

key features and benefits

Integral bend radius	Maintains cable bend radii in all cable pathways for high performance copper and fiber applications
Curved fingers	Separates and organizes Category 5e and Category 6 cable for simple moves, adds, and changes
Cable pass through holes	Provides ease of installation and cable maintenance
Integral wire retainers	Holds cable in place for easy moves, adds, and changes
Lightweight plastic construction	Provides durability and easy installation
Hinged front cover	Opens 180° up or down to allow hands-free access to cable

applications

Designed for Category 5e, Category 6, and fiber cables, the Panduit® NetManager™ Horizontal Cable Managers provide a cost effective solution that organizes, manages, and protects network cabling in telecommunication rooms and data centers. Finger spacing organizes cable as they exit the patch panel and bend radius control helps protect cable

from kinks, snags, and crushing, ensuring system performance and reliability. When used with Panduit® Mini-Com® or QuickNet® Patch Panels, Panduit patch cords, vertical managers, and racks, the user receives a complete end-to-end solution that satisfies functional requirements and showcases the network cabling.

2 RU Managers

Front and rear:	NCMH2
Front only:	NCMHF2

1 RU Manager

Front only:	NCMHF1
-------------	--------

Accessories

Extender bracket, 1 RU:	PEB1
Extender bracket, 2 RU: (for 23" rack mounting)	PEB2

Standard 2 Post Racks

3" channel	
8'H x 19"W:	R2P96
6.5'H x 19"W:	R2P79
7'H x 19"W:	R2P
4'H x 19"W:	R2P48
7'H x 23"W:	R2PW

6" channel

7'H x 19"W:	R2P6S
-------------	-------

4 Post Racks, 19" Mount – 7 Foot

23" deep:	R4P23*^
30" deep:	R4P*^
36" deep:	R4P36*^
42" deep:	R4P42*^

NetRunner™ Vertical Cable Managers

Front and rear	
22 RU, 4" x 5":	WMPV22E
45 RU, 4" x 5":	WMPV45E
45 RU, 6" x 6":	WMPVHC45E
Front only	
22 RU, 4" x 5":	WMPVF22E
45 RU, 4" x 5":	WMPVF45E
45 RU, 6" x 6":	WMPVHCF45E

NetRunner™ High Capacity Vertical Cable Managers

Front and rear	
45 RU, 6" x 6":	NRV6
45 RU, 10" x 6":	NRV10
45 RU, 12" x 6":	NRV12
Front only	
45 RU, 6" x 6":	NRVF6
45 RU, 10" x 6":	NRVF10
45 RU, 12" x 6":	NRVF12
Doors	
6" wide:	NRD6B1
10" wide:	NRD10B1
12" wide:	NRD12B1

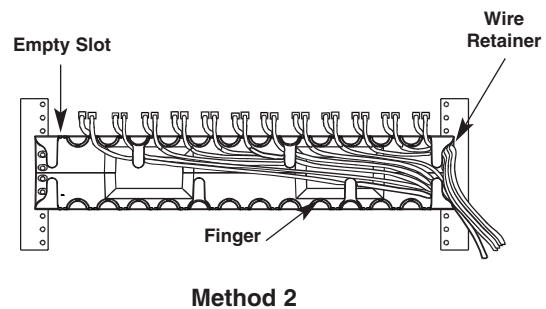
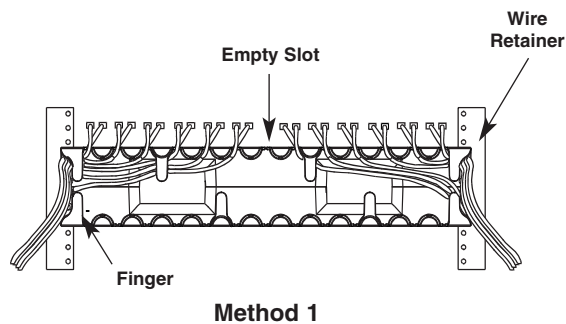
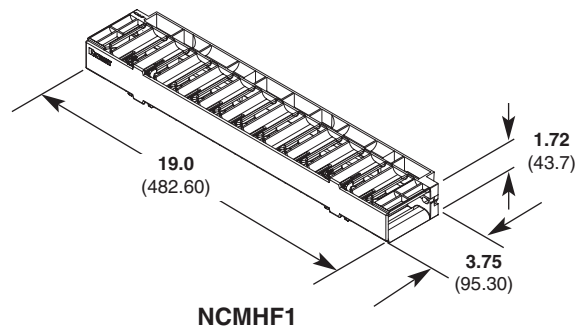
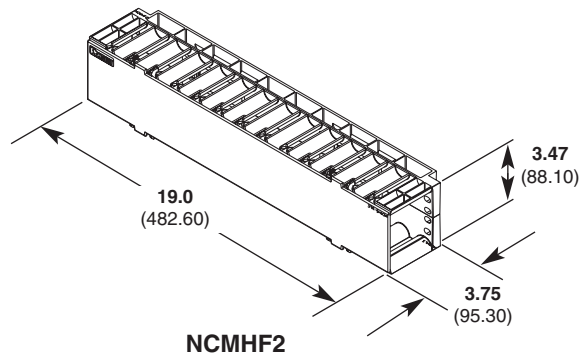
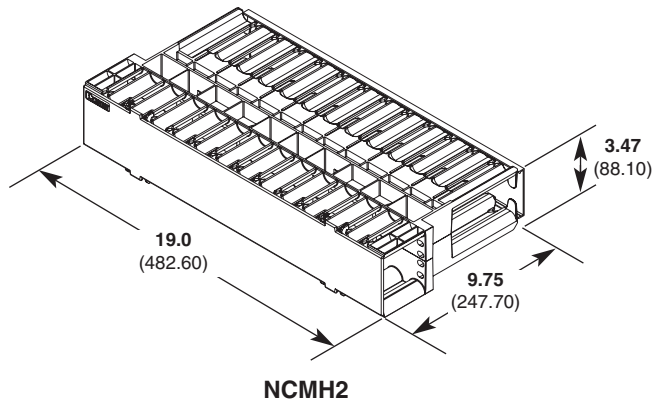
PatchRunner™ 2 Vertical Cable Managers with Doors - 7 Foot

Front and rear	
45 RU 6" wide:	PR2VD06^
45 RU 8" wide:	PR2VD08^
45 RU 10" wide:	PR2VD10^
45 RU 12" wide:	PR2VD12^
Front only	
45 RU 6" wide:	PR2VFD06^
45 RU 8" wide:	PR2VFD08^
45 RU 10" wide:	PR2VFD10^
45 RU 12" wide:	PR2VFD12^

^Add suffix 96 to the end of the part number for 8 foot versions.

*Add "CN" for Cage Nut Rails

NetManager™ Horizontal Cable Managers



NOTE: For optimal routing of patch cords left and right of manager, leave middle slot empty.

Dimensions are in inches. [Dimensions in parenthesis are metric].

WORLDWIDE SUBSIDIARIES AND SALES OFFICES

PANDUIT US/CANADA
Phone: 800.777.3300

PANDUIT EUROPE LTD.
London, UK
cs-emea@panduit.com
Phone: 44.20.8601.7200

PANDUIT SINGAPORE PTE. LTD.
Republic of Singapore
cs-ap@panduit.com
Phone: 65.6305.7575

PANDUIT JAPAN
Tokyo, Japan
cs-japan@panduit.com
Phone: 81.3.6863.6000

PANDUIT LATIN AMERICA
Guadalajara, Mexico
cs-la@panduit.com
Phone: 52.33.3777.6000

PANDUIT AUSTRALIA PTY. LTD.
Victoria, Australia
cs-aus@panduit.com
Phone: 61.3.9794.9020

For a copy of Panduit product warranties, log on to www.panduit.com/warranty

For more information

Visit us at www.panduit.com

Contact Customer Service by email: cs@panduit.com
or by phone: 800.777.3300

PANDUIT®

©2018 Panduit Corp.
ALL RIGHTS RESERVED.
RKSP147--WW-ENG
6/2018