

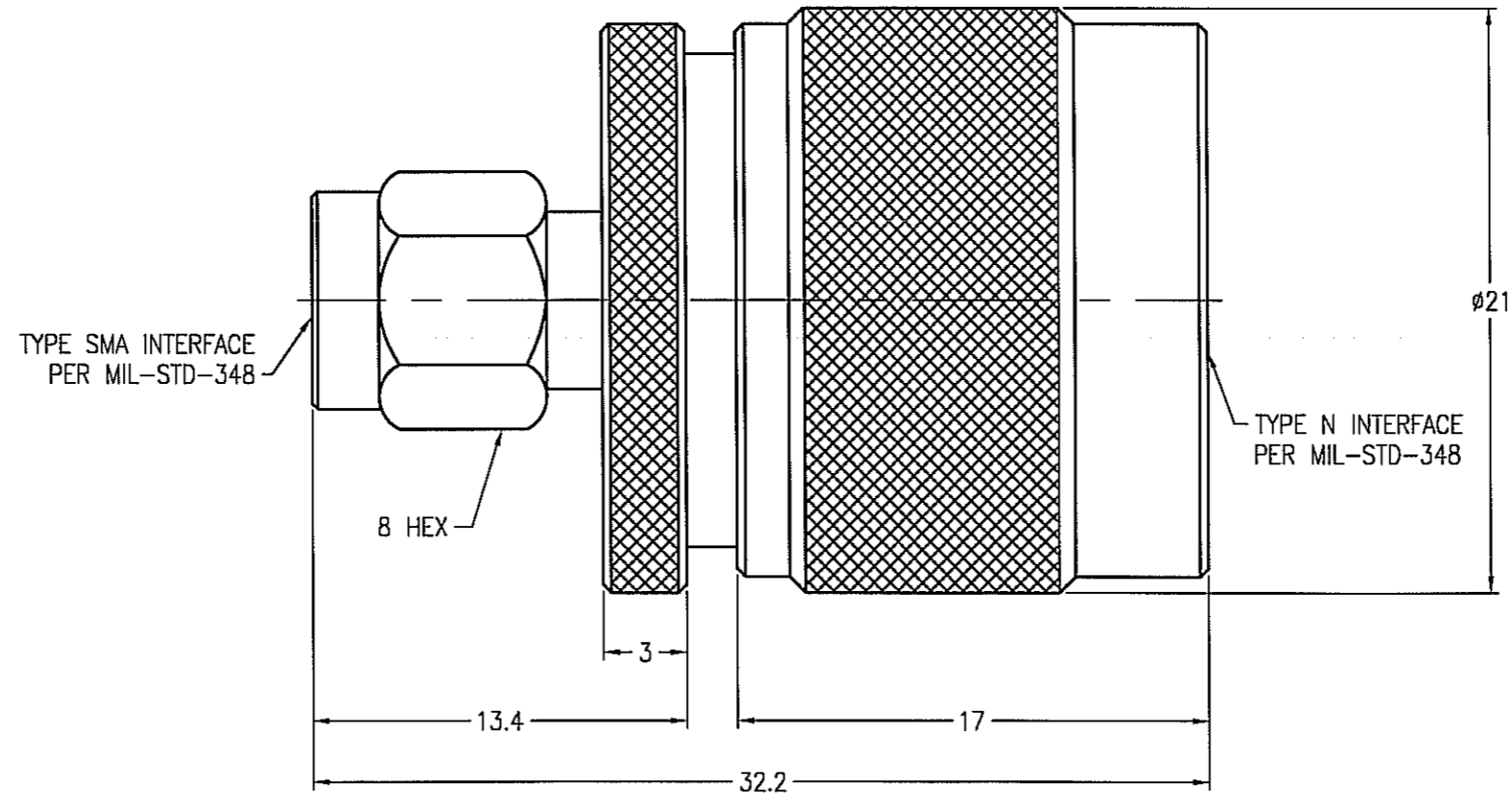
NOTES:

1. MATERIALS AND FINISHES
 BODY - BRASS, NICKEL PLATING
 CONTACT - BRASS, GOLD PLATING
 INSULATOR - PTFE
2. ELECTRICAL:
 A. IMPEDANCE: 50 OHM
 B. FREQUENCY RANGE: DC-11 GHZ

THIRD ANGLE PROJ.

REVISIONS

REV	DESCRIPTION	DATE	ECO	APPR
A	NM-SMAM-NT3G-50 WAS ADT-87071406-NT3G\12-09-98'	09-Dec-98	---	TONY
B	SEE SHEET 1	20-Apr-00	---	TONY
C	REDRAWN TO UPDATE FORMAT	9/29/08	49308	



CUSTOMER OUTLINE DRAWING

ALL OTHER SHEETS ARE FOR INTERNAL USE ONLY

UNLESS OTHERWISE SPECIFIED, DIMENSIONS ARE IN METRIC AND TOLERANCES ARE:
 0.5 - 6mm ±0.1mm 6 - 30mm ±0.2mm 30 - 120mm ± 0.3mm ANGLES ±1'

NOTICE - These drawings, specifications, or other data (1) are, and remain the property of Amphenol Corp. (2) must be returned upon request; and (3) are confidential and not to be disclosed to any person other than those to whom they are given by Amphenol Corp. The furnishing of these drawings, specifications, or other data by Amphenol Corp., or to any other person to anyone for any purpose is not to be regarded by implication or otherwise in any manner licensing, granting rights or permitting such holder or any other person to manufacture, use or sell any product, process or design, patented or otherwise, that may in any way be related to or disclosed by said drawings, specifications, or other data.

MATERIAL	
REFERENCE	
FINISH	

DRAWN	K.SHEN	DATE	7-Jun-02
ENGINEER	TONY	DATE	7-Jun-02
APPROVED	TONY	DATE	7-Jun-02
CAD FILE	F:\DWG\NM\SMAM\50\NT3G-CSZ		

TITLE			N MALE TO SMA MALE ADAPTOR		
SCALE:	3/1	SHEET	2 OF 2		
DWG SIZE	B	CODE ID	74868	REV	C

Amphenol RF	
Danbury CT USA, Tainan Taiwan, Shenzhen China www.amphenolrf.com	
DRAWING NO.	NM-SMAM-NT3G-50
ITEM NO.	03M-11M1-NA-5-F
PART NO.	APH-SMAP-NP