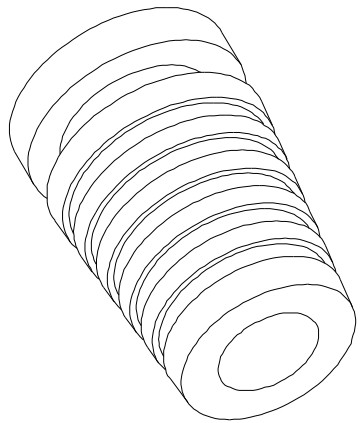
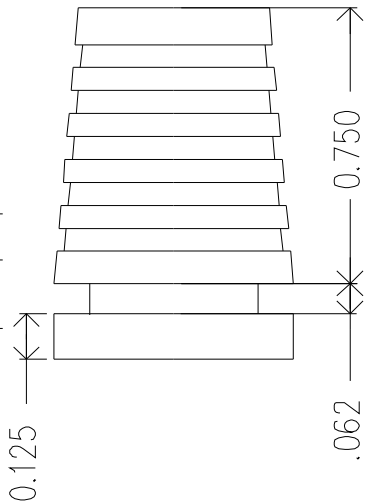
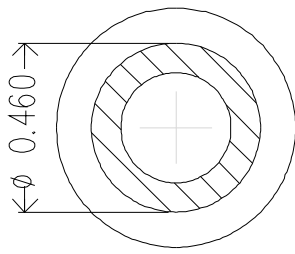
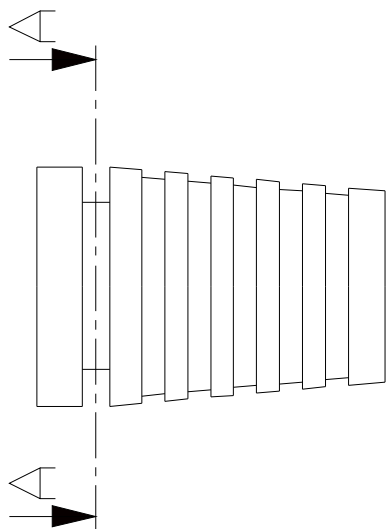
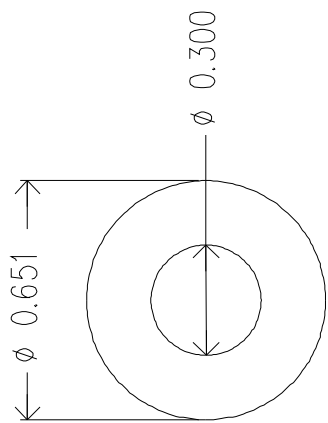


REVISIONS		DATE	APPROVED
ZONE	REV.		



MOLD MATERIAL: ISC P/N: 5000214, PVC, M1472, Black, RoHS

DRWN	NAME	DATE	ISC Engineering
R FIERRO		09/30/03	4351 Schaefer Ave, Chino, CA 91710
CHECKED			Ph: 909-596-3315 Fax: 909-596-3335
ENG APPR.			www.iscengineering.com
MFG APPR.			www.overmoldtooling.com
D.A.			
COMMENTS:			
1461040-.300-.062-.460-.651-0			
SIZE	DWG. NO.	WEIGHT:	
A	1460055	SCALE:2:1	
REV.		SHEET OF 1	

DIMENSIONS ARE IN INCHES	
TOLERANCES:	
FRACTIONAL ±	BEND ±
ANGULAR: MACH ±	TWO PLACE DECIMAL ±
THREE PLACE DECIMAL ±	
MATERIAL	DO NOT SCALE DRAWING
FINISH	
USED ON	
APPLICATION	

A-A

Dimensions are subject to change.  
 PROPRIETARY AND CONFIDENTIAL  
 THE INFORMATION CONTAINED IN THIS DRAWING IS THE SOLE PROPERTY OF ISC ENGINEERING. ANY REPRODUCTION IN PART OR AS A WHOLE WITHOUT THE WRITTEN PERMISSION OF ISC ENGINEERING IS PROHIBITED.

