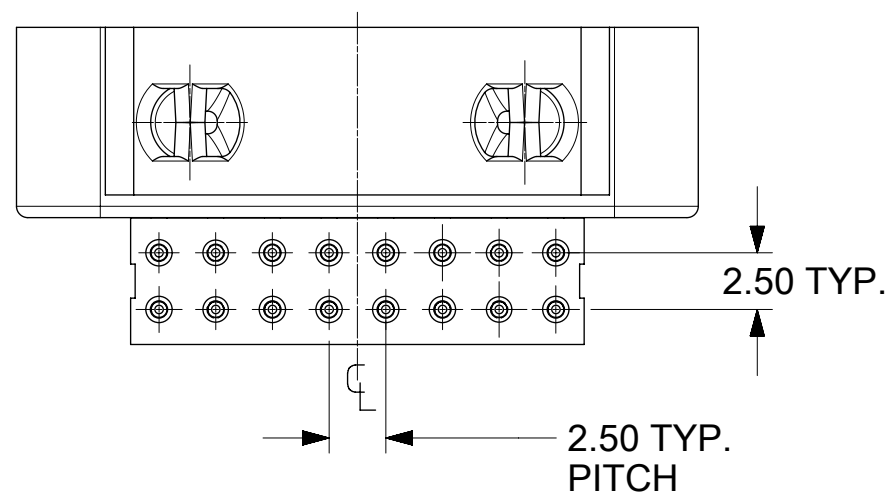
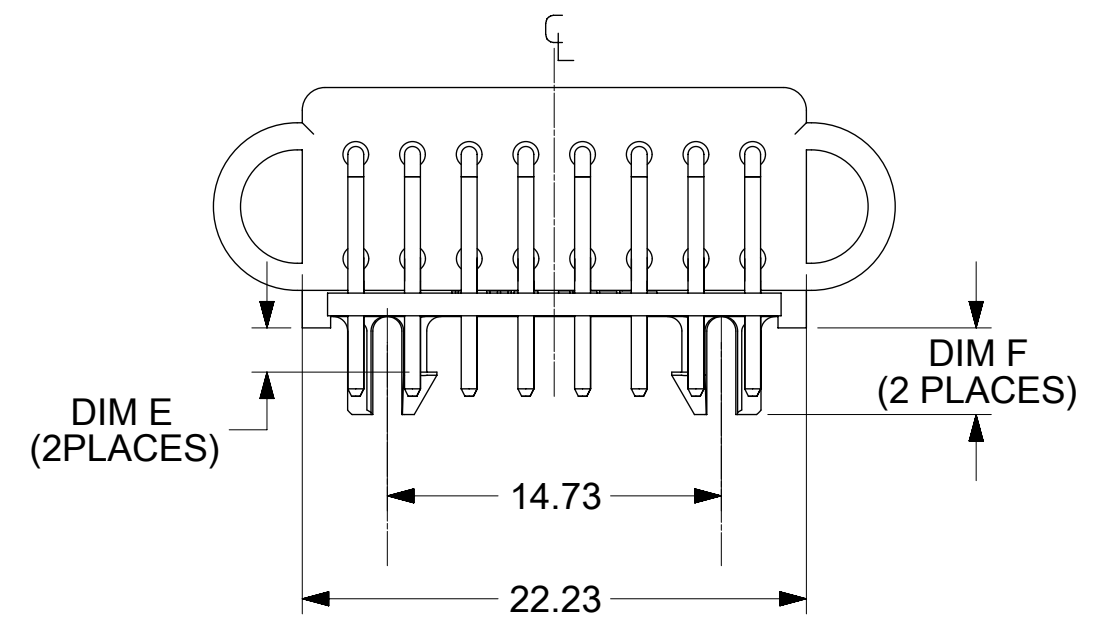
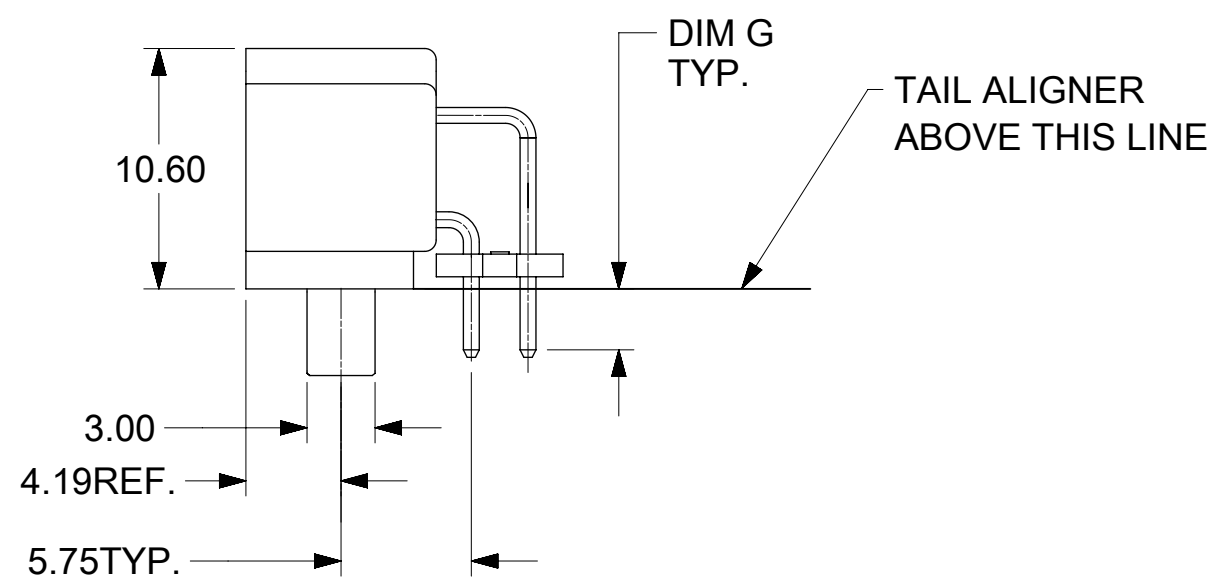
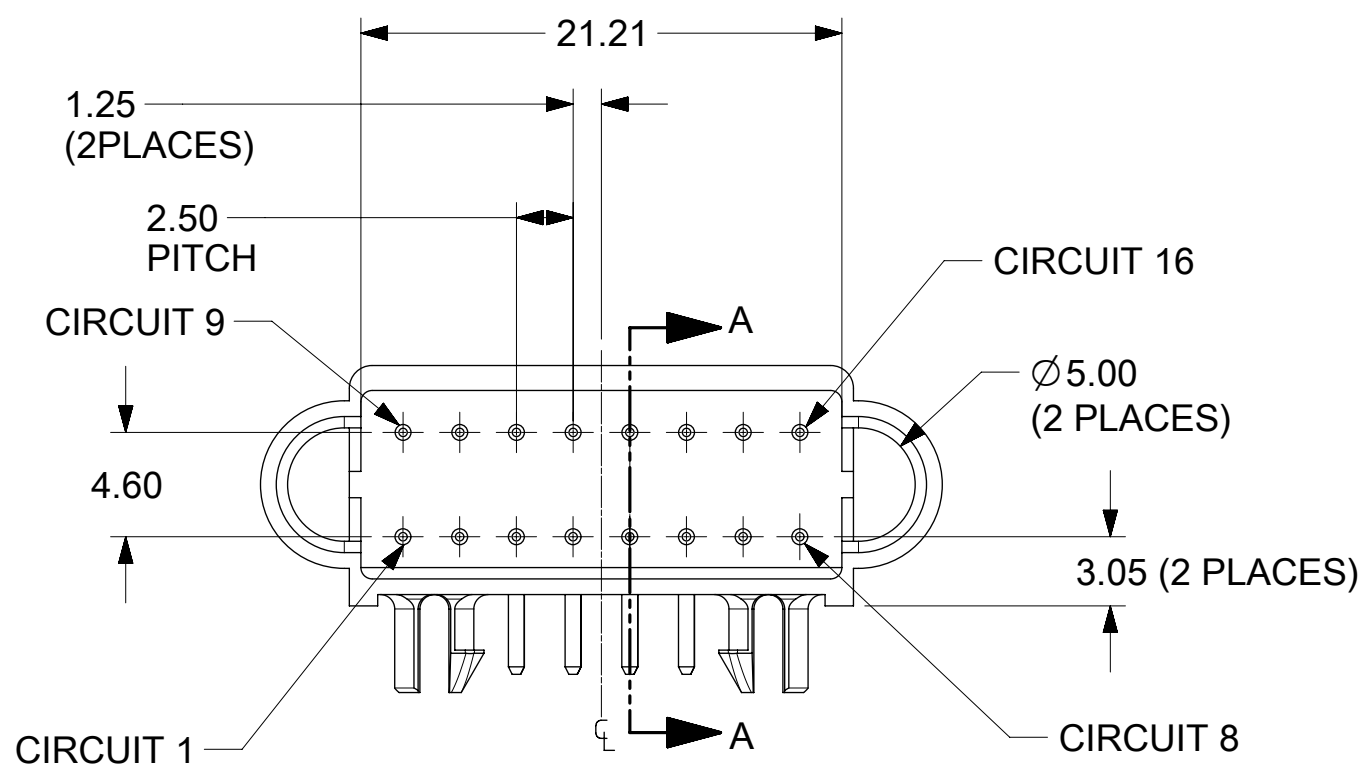
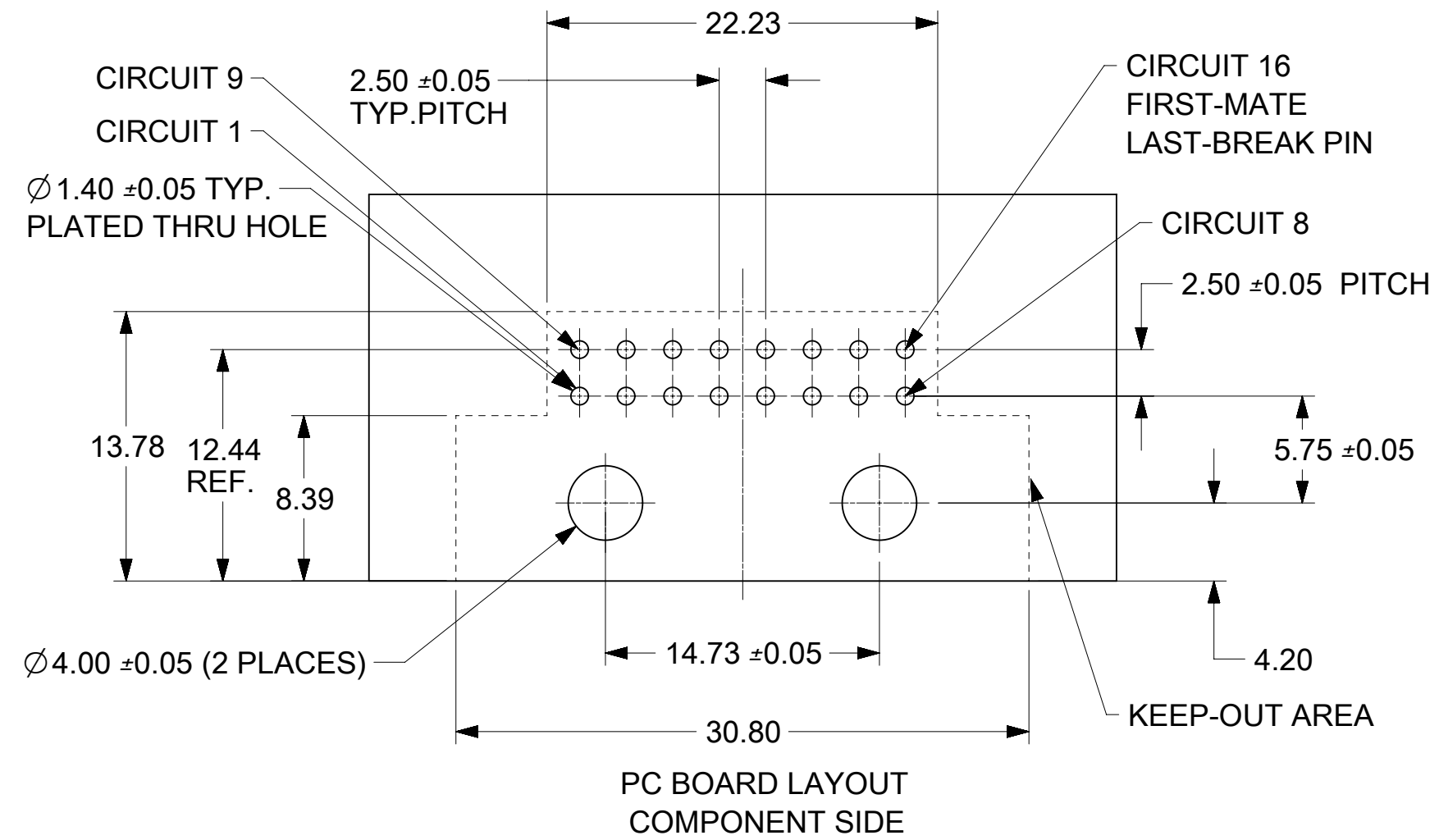
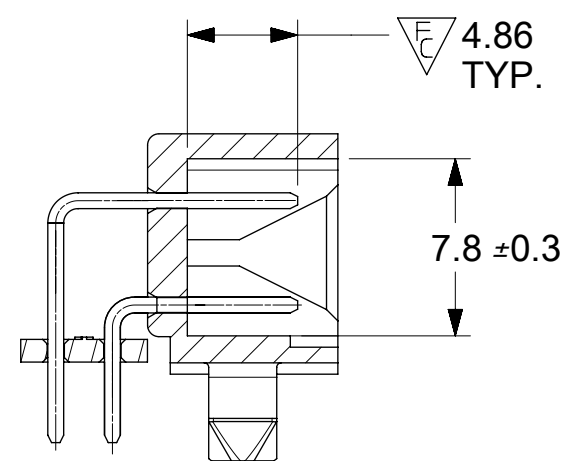
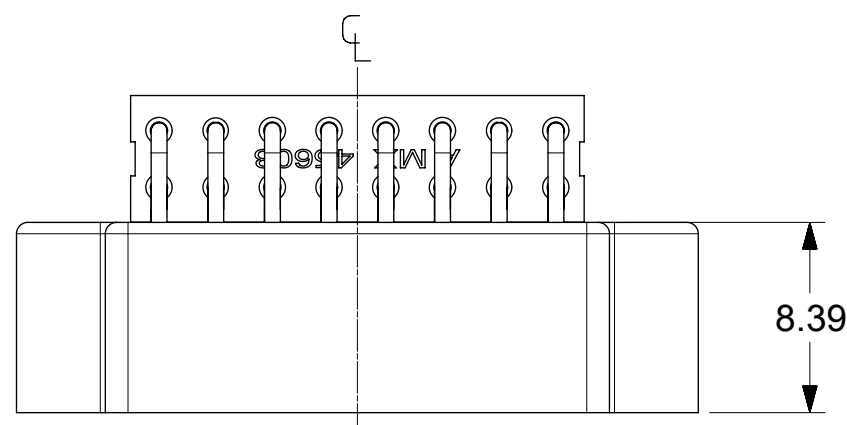


PART NUMBER	PCB THICKNESS	DIM E	DIM F	DIM G	STATUS
456080001	1.67	1.95	3.82	3.02	TOOLED
456080005	3.05	3.29	5.19	4.39	NOT TOOLED



- NOTES:
- HOUSING MATERIAL: HIGH-TEMP THERMOPLASTIC, 94V-0. (COLOR: BLACK)  
TAIL ALIGNER: HIGH-TEMP THERMOPLASTIC (COLOR: OPTIONAL)
  - PIN MATERIAL: 0.70mm DIA. BRASS
  - PIN PLATING: 2.50µm TIN OVER 1.25µm NICKEL.
  - PRODUCT SPECIFICATION: PS-45579-001.
  - PACKAGING: TRAY.

THIS DRAWING CONTAINS INFORMATION THAT IS PROPRIETARY TO MOLEX ELECTRONIC TECHNOLOGIES, LLC AND SHOULD NOT BE USED WITHOUT WRITTEN PERMISSION												
DIMENSION UNITS		SCALE		CURRENT REV DESC:								
MM		3:1		<p>EC NO: 625546  DRWN: CMN 2017/08/09  CHK'D: ISHWARG 2019/10/18  APPR: ISHWARG 2019/10/18</p> <p>INITIAL REVISION:  DRWN: TGREGORI  APPR: JCOMERCI</p>								
GENERAL TOLERANCES (UNLESS SPECIFIED)												
4 PLACES	±		±									
3 PLACES	±		±									
2 PLACES	±	0.13	±									
1 PLACE	±	0.25	±	PRODUCT CUSTOMER DRAWING								
0 PLACES	±		±	DOCUMENT NUMBER		DOC TYPE		DOC PART		REVISION		
ANGULAR TOL ± 0.5°				SD-45608-001		PSD		001		J		
DRAFT WHERE APPLICABLE MUST REMAIN WITHIN DIMENSIONS				THIRD ANGLE PROJECTION		DRAWING		SERIES		MATERIAL NUMBER	CUSTOMER	SHEET NUMBER
				C-SIZE		45608		SEE TABLE		GENERAL MARKET		1 OF 1

DOCUMENT STATUS	P1	RELEASE DATE	2019/10/18 08:25:49
12	11	10	9