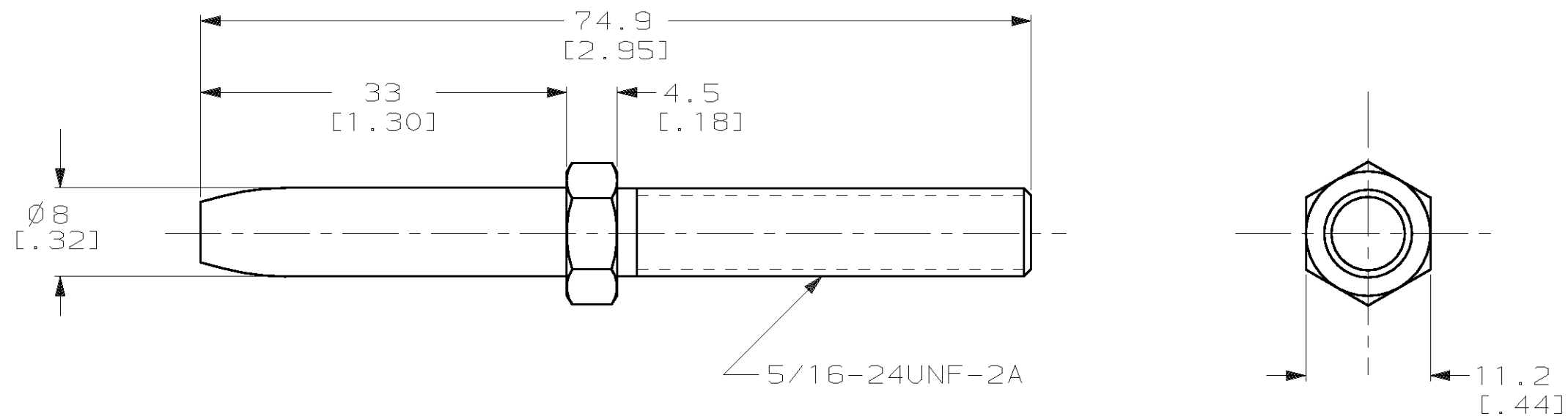


THIS DRAWING IS UNPUBLISHED. RELEASED FOR PUBLICATION, 19
 © COPYRIGHT 19 BY AMP INCORPORATED. ALL INTERNATIONAL RIGHTS RESERVED.

LOC	DIST	P	F	ZONE	LTR	DESCRIPTION	DATE	APPD
CH	11				A	0B20-0220-98	11/FEB/98	RNP

1. ALL DIMENSIONS ARE REFERENCE ONLY.



192293-1
 PART NO

DO NOT SCALE PRINT. UNLESS SPECIFIED DIMENSIONS IN mm [INCHES] TOLERANCES ON: 2 PLC DEC ± - 1 PLC DEC ± - ANGLES ± -		DR D. WILSON 02-25-92	AMP Incorporated Harrisburg, PA 17105-3608	
MATERIAL BRASS	FINISH SILVER	CHK - APPD - APPD - PRODUCT SPEC - APPLICATION SPEC - WEIGHT -		
		SIZE B	CAGE CODE 00779	DRAWING NO 192293
		SCALE	SHEET 1 OF 1	