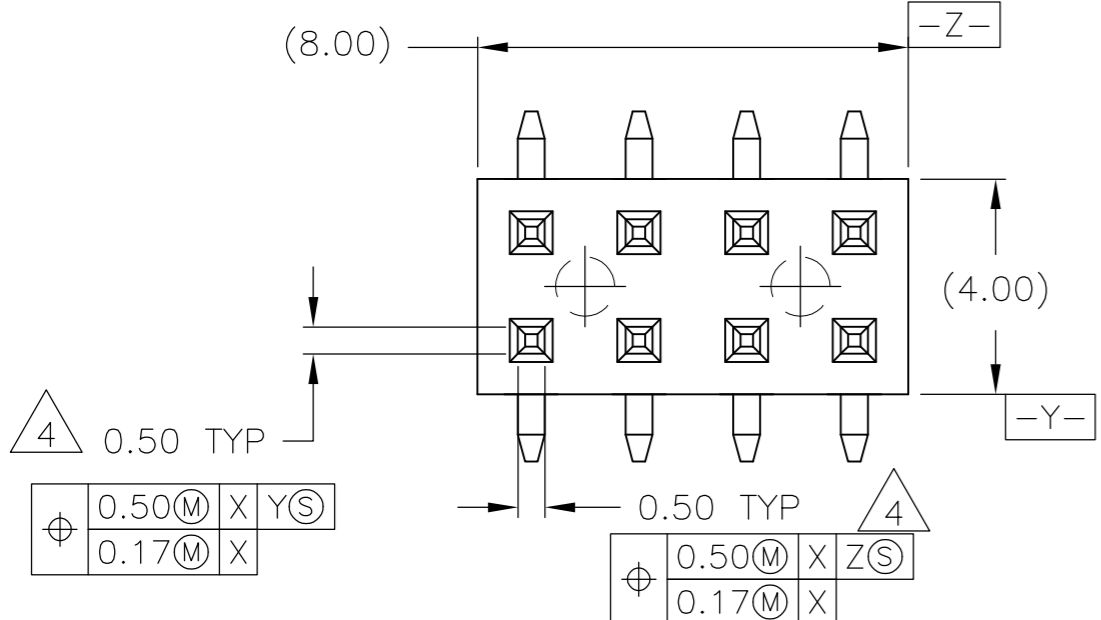
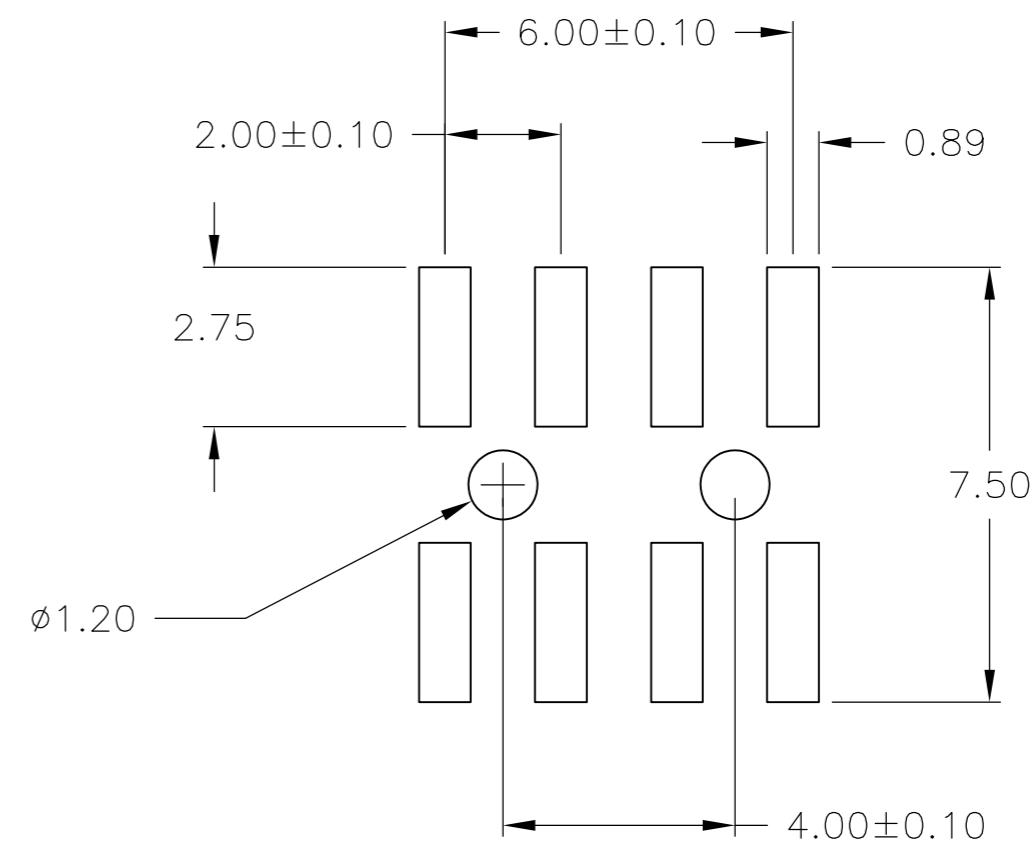
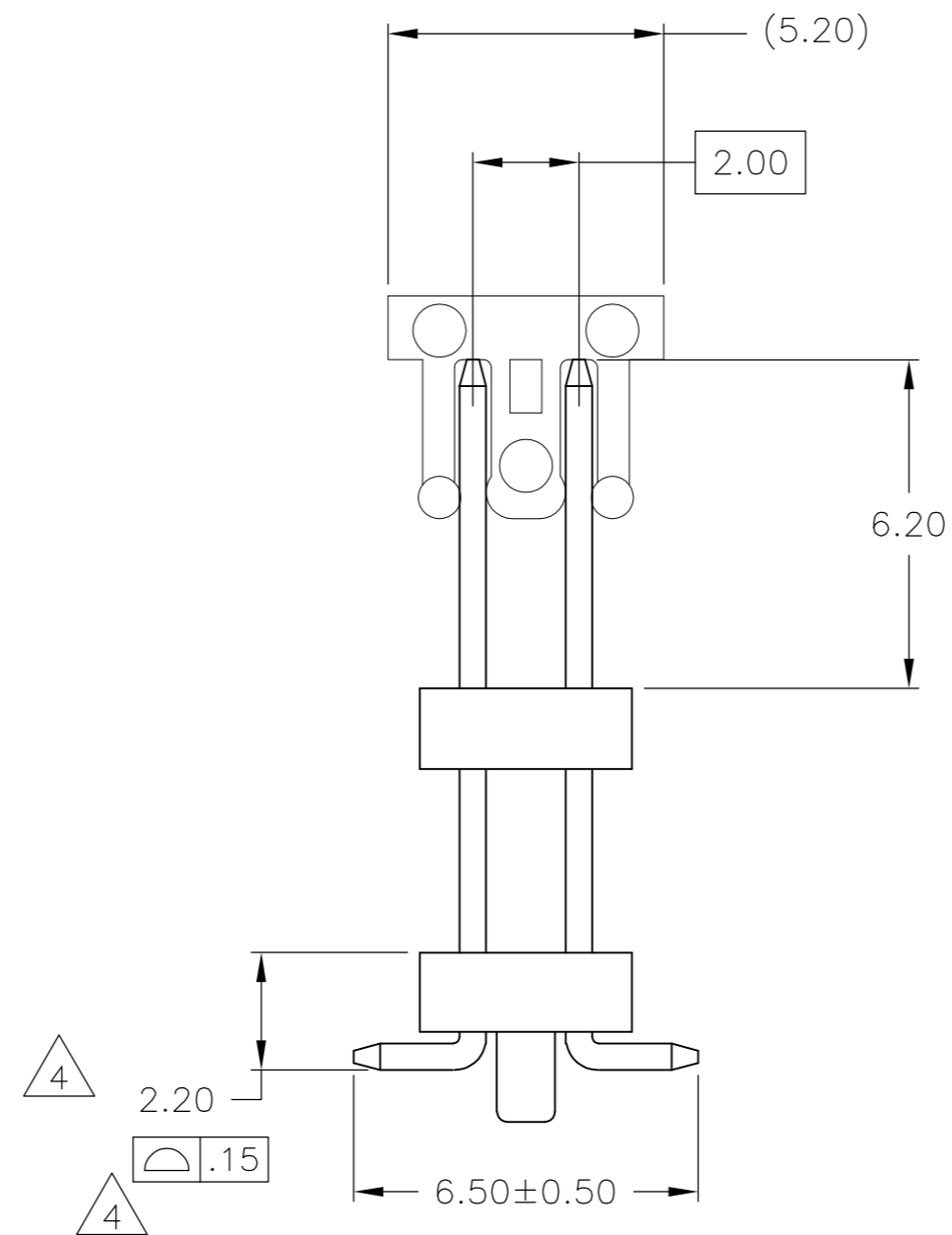
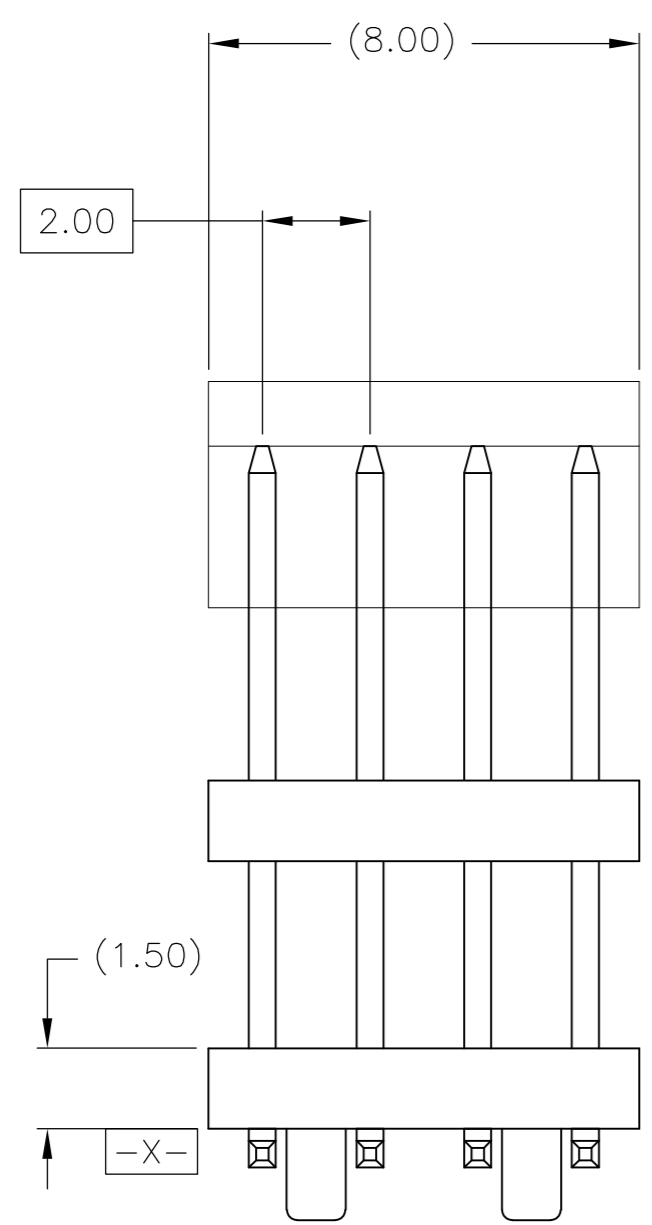


THIS DRAWING IS UNPUBLISHED. RELEASED FOR PUBLICATION
 © COPYRIGHT BY TYCO ELECTRONICS CORPORATION. ALL INTERNATIONAL RIGHTS RESERVED.

LOC		DIST		REVISIONS			
AD	00	P	LTR	DESCRIPTION	DATE	DWN	APVD
		J		REVISED PER ECO-10-025268	16MAR11	HMR	JO



- 1 SPECIFICATIONS-
- CONTACT MATERIAL: PHOSPHOR BRONZE,
VACUUM CAP & INSULATOR MATERIAL: HIGH TEMPERATURE THERMOPLASTIC,
UL 94V-0: BLACK COLOR
 - PACKAGING: TAPE AND REEL PER EIA 481
 - 2 CONTACT FINISH: DUPLEX PLATED 0.000762 GOLD ON CONTACT AREA,
TIN-LEAD ON SOLDER LEADS
 - 3 CONTACT FINISH: DUPLEX PLATED 0.000762 GOLD ON CONTACT AREA,
MATTE TIN ON SOLDER LEADS
 - 4 CRITICAL TO QUALITY



RECOMMENDED P.C.BOARD LAYOUT

SUPERSEDED BY 5-1571363-1	3	8	5-1571363-1
	2	8	1571363-1
	FINISH	NO OF POSN	PART NUMBER

THIS DRAWING IS A CONTROLLED DOCUMENT.		DWN	R BROWN	28AUG02	Tyco Electronics Corporation Harrisburg, PA 17105-3608
DIMENSIONS: mm		CHK	D SIMPSON	28AUG02	
TOLERANCES UNLESS OTHERWISE SPECIFIED:		APVD	D SIMPSON	28AUG02	
0 PLC ± - 1 PLC ± - 2 PLC ± 0.20 3 PLC ± - 4 PLC ± - ANGLES ± -		PRODUCT SPEC	108-2273	NAME	
MATERIAL	FINISH	APPLICATION SPEC	114-13177	HEADER ASSEMBLY, 2mm DOUBLE ROW, VERTICAL, SURFACE MOUNT, STACKING	
		WEIGHT	-	SIZE	A2
		CUSTOMER DRAWING		CAGE CODE	00779
				DRAWING NO	C=1571363
				RESTRICTED TO	-
				SCALE	5:1
				SHEET	1 of 1
				REV	J