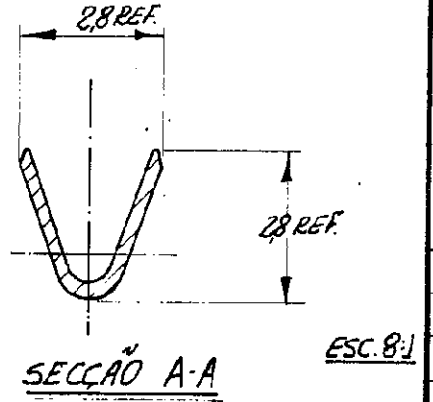
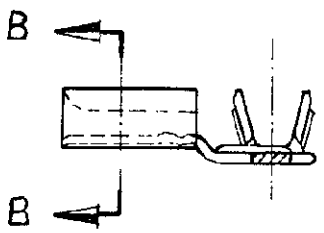
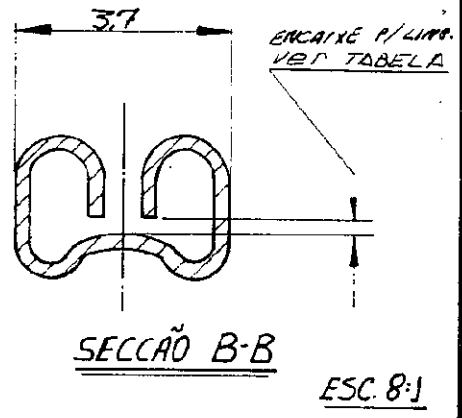
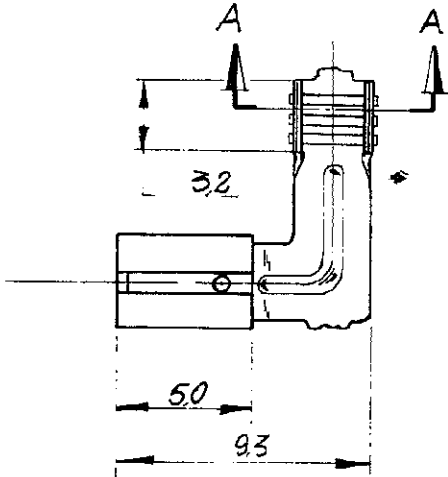


DRAWING MADE IN THIRD ANGLE PROJECTION

LOC DIST

© Copyright 1984 by AMP DO BRASIL - S. P. All International Rights Reserved. AMP Incorporated products covered by U. S. and Foreign patents and/or patents pending.

REVISIONS			
REV	DESCRIPTION	DATE	APPROVED
A	ERA P84-29260	09-NOV-84	<i>[Signature]</i>
B	REMOÇÃO DE NOTA (ECN 2122)	03-APR-90	H.C.
C	Acresc. -3 e -4	04/06/91	H.C. S.L.V.I.Z
D	Revisado EC LB 308/99	15/07/99	H.C. M.F.S.
D1	REVISED PER ECO-09-026444	28NOV09	AEG



⚠	OBSELETE	0,8mm.	ESTANHADO	LATÃO	880549-4
⚠	OBSELETE	0,8mm.	---	LATÃO	880549-3
⚠	OBSELETE	0,5mm	ESTANHADO	LATÃO	880549-2
⚠	OBSELETE PARTS: OBSELETE CIS STREAMLINING PER D.RENAUD/D.SINISI	0,5mm	---	LATÃO	880549-1
		esp. do LINGU	ACABAMENTO	MATERIAL	PART NO

UNLESS OTHERWISE SPECIFIED DIMENSIONS ARE IN mm. TOLERANCES ON DECIMALS ANGLES

CONTR. *[Signature]*
 APPD *[Signature]* 24/09/91

TOLERANCE

AMP AMP DO BRASIL
 S Paulo - Brasil

MATERIAL
 VER TABELA

APPD

NAME
110 SERIES FLAG FASTON RECEPT.

FINISH
 VER TABELA

WIRE RANGE
 0,5 - 1,3 mm²

OTHER APPD

SIZE **A** LOC AP DRAWING NO **880549**

SCALE 4:1 SHEET 1-1 **D1**