

## Features and Benefits

- The control circuit and RGB chip are integrated in a 5050 components, to form an external control pixel.
- Intelligent Reverse-connection protection.
- Using the built-in signal reshaping circuit to achieve the signal waveform shaping, and no distortion of waveform of signal takes place.
- The gray levels of each pixel are of 256 levels, which achieves “256\*256\*256=16777216” full-color display, and the refresh frequency reaches to 2KHz.
- Serial cascade interface, data receiving and decoding depend on just one signal line.
- Dual-signal wires version, One additional signal line is added to realize double signal transmission signal break-point continuous transmission. Any single pixel failure won't affect the overall display effect.
- Any two point the distance more than 5M transmission signal without any increase circuit.
- When the refresh rate is 30fps, cascade numbers is at least 1024 pixels.
- Data transmitting at speeds of up to 800Kbps.
- Good color consistency reliability, high cost-effective.
- NO extra components needed, even the capacitor.

## Applications

- Consumer Electronics.
- Landscape lighting fields.
- Computer peripheral products, games devices and machinery equipment etc.

## General description

WS2813B-V5 is an intelligent control LED light source that the control circuit and RGB chip are integrated in a package of 5050 components. Its internal include intelligent digital port data latch and signal reshaping amplification drive circuit. Also include a precision internal oscillator and voltage programmable constant current control part, which achieves highly consistent color effect.

**Double channel Dual-signal wires version**, signal break-point continuous transmission. Any pixel's failure won't affect signal transfer and overall emitting color effect.

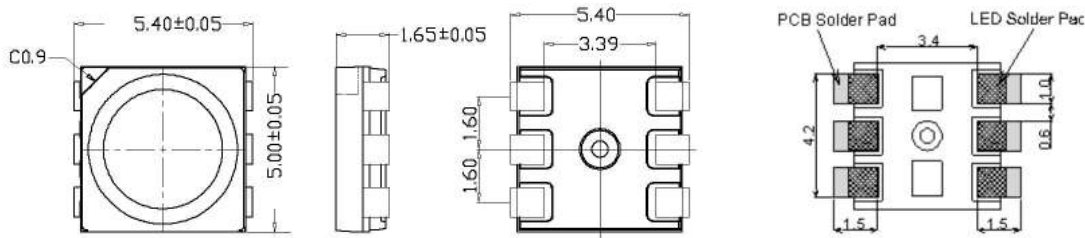
The data transfer protocol use single NZR communication mode. After the pixel power-on reset, the DIN port receive data from controller, the first pixel collect initial 24bit data then sent to the internal data latch, the other data which reshaping by the internal signal reshaping amplification circuit sent to the next cascade pixel through the DO port. After transmission for each pixel, the signal to reduce 24bit. Every pixel adopts auto-reshaping transmit technology, making the pixel cascade numbers are not limited to the signal transmission, only relate to the speed of signal transmission.

Refresh Frequency updates to **2KHz**, No flicker occurs even when captured by hd camera, which is very suitable for the use of HD Video Camera.

RESET time > **280μs**, it won't cause wrong reset while interruption, it supports the lower frequency and inexpensive MCU.

Integrated circuit chips enable the circuit control simpler, neater and more reliable while NO extra components needed.

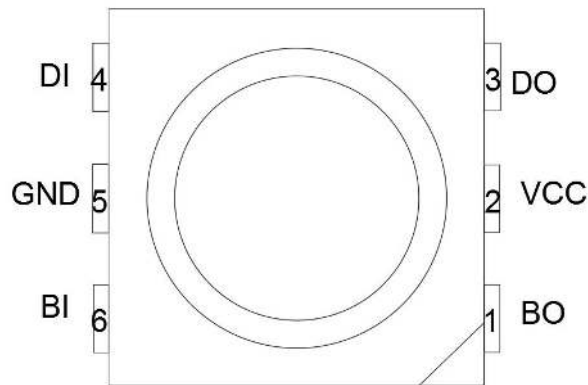
## Mechanical Dimensions



### ◆ Remarks

1. Dimension: 5.0\*5.4\*1.65mm
2. Default tolerance:  $\pm 0.05$ mm

## PIN Configuration



## PIN Function

| NO. | Symbol | PIN | Function description               |
|-----|--------|-----|------------------------------------|
| 1   | BO     | BO  | Backup data signal output          |
| 2   | VCC    | VCC | LED POWER SUPPLY, connect to "+5V" |
| 3   | DO     | DO  | Control data signal output         |
| 4   | DIN    | DIN | Control data signal input          |
| 5   | GND    | GND | Data & Power Grounding             |
| 6   | BIN    | BIN | Backup Control data signal input   |

## Absolute Maximum Ratings( $T_A=25^\circ\text{C}$ , $V_{SS}=0\text{V}$ )

| Parameter             | Symbol | Ratings        | Unit |
|-----------------------|--------|----------------|------|
| Power supply voltage  | VCC    | +3.7~+5.3      | V    |
| Logical Input Voltage | $V_I$  | -0.3V~VDD+0.7V | V    |

**Electrical Characteristics** ( $T_A=25^\circ\text{C}$ ,  $V_{CC}=5\text{V}$ ,  $V_{SS}=0\text{V}$ )

| Parameter        | Symbol   | Min.  | Tpy. | Max.                 | Unit          | Conditions          |
|------------------|----------|-------|------|----------------------|---------------|---------------------|
| Input Current    | $I_I$    | —     | —    | $\pm 1$              | $\mu\text{A}$ | $V_I=V_{DD}/V_{SS}$ |
| High-level Input | $V_{IH}$ | 2.7V  | —    | $V_{DD}+0.7\text{V}$ | V             | $D_{IN}$ , SET      |
| Low-level Input  | $V_{IL}$ | -0.3V | —    | 0.7V                 | V             | $D_{IN}$ , SET      |

**Switching Characteristics** ( $T_A=25^\circ\text{C}$ ,  $V_{CC}=5\text{V}$ ,  $V_{SS}=0\text{V}$ )

| Parameter               | Symbol    | Min | Tpy | Max | Unit          | Condition  |
|-------------------------|-----------|-----|-----|-----|---------------|--|
| Transmission Delay Time | $T_{PLZ}$ | —   | —   | 300 | ns            | $C_L=15\text{pF}$ , $D_{IN}\rightarrow D_{OUT}$ , $R_L=10\text{K}\Omega$ |
| Fall time               | $T_{THZ}$ | —   | —   | 120 | $\mu\text{s}$ | $C_L=300\text{pF}$ , $O_{UTR}/O_{UTG}/O_{UTB}$                           |
| Input-capacitance       | $C_I$     | —   | —   | 15  | pF            | —  |

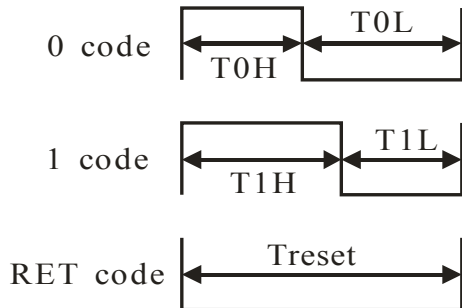
**LED Characteristics**

| Parameter  | Symbol      | Color | Quiescent Current: <0.6mA |      |      | Unit | Condition<br>(Working current) |
|------------|-------------|-------|---------------------------|------|------|------|--------------------------------|
|            |             |       | Min                       | Tpy  | Max  |      |                                |
| Brightness | IV          | RED   | 300                       | 380  | 600  | mcd  | 16mA                           |
|            |             | GREEN | 800                       | 1050 | 1500 |      |                                |
|            |             | BLUE  | 200                       | 270  | 400  |      |                                |
| Wavelength | $\lambda_d$ | RED   | 620                       | 623  | 630  | nm   | 16mA                           |
|            |             | GREEN | 510                       | 520  | 520  |      |                                |
|            |             | BLUE  | 465                       | 471  | 475  |      |                                |

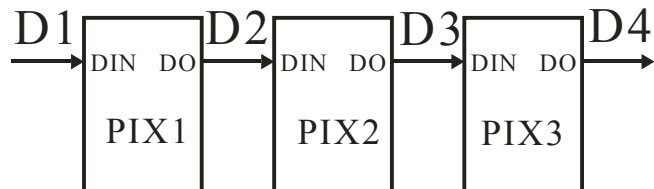
**Data Transfer Time**

|            |                            |                       |
|------------|----------------------------|-----------------------|
| <b>T0H</b> | 0-code, High-level time    | 220ns~380ns           |
| <b>T1H</b> | 1-code, High-level time    | 580ns~1 $\mu\text{s}$ |
| <b>T0L</b> | 0-code, Low-level time     | 580ns~1 $\mu\text{s}$ |
| <b>T1L</b> | 1-code, Low-level time     | 580ns~1 $\mu\text{s}$ |
| <b>RES</b> | Frame unit, Low-level time | > 280 $\mu\text{s}$   |

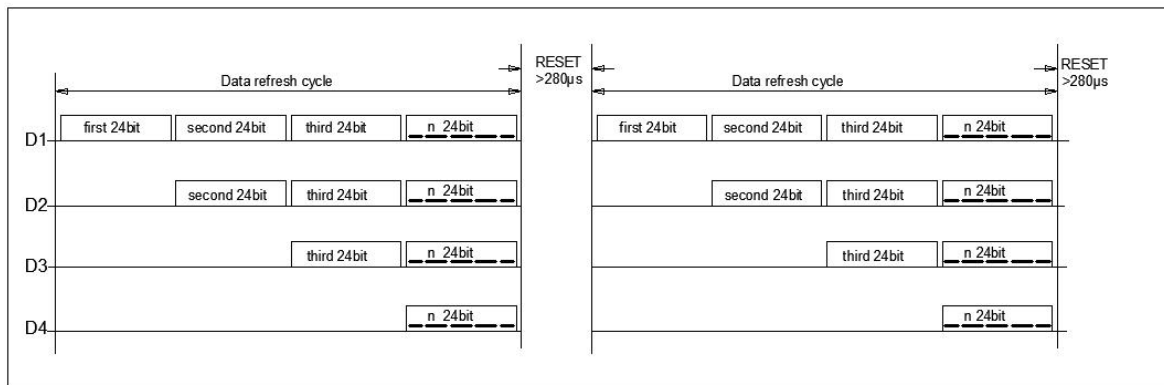
**Sequence chart**



**Cascade method**



**Data Transmission Method**



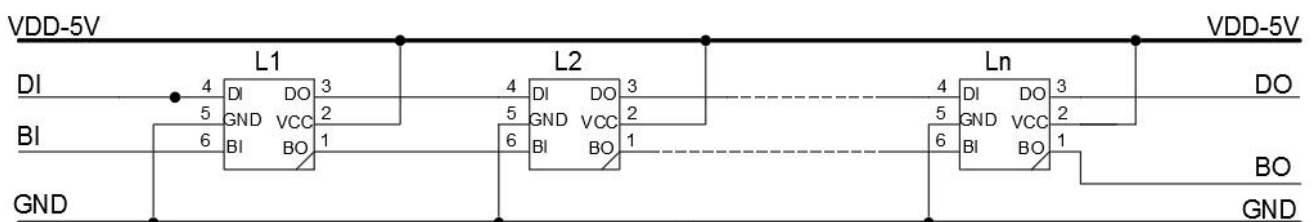
Note: D1 is the data from MCU, and D2, D3, D4 are from Cascade Circuits.

**Composition of 24bit data**

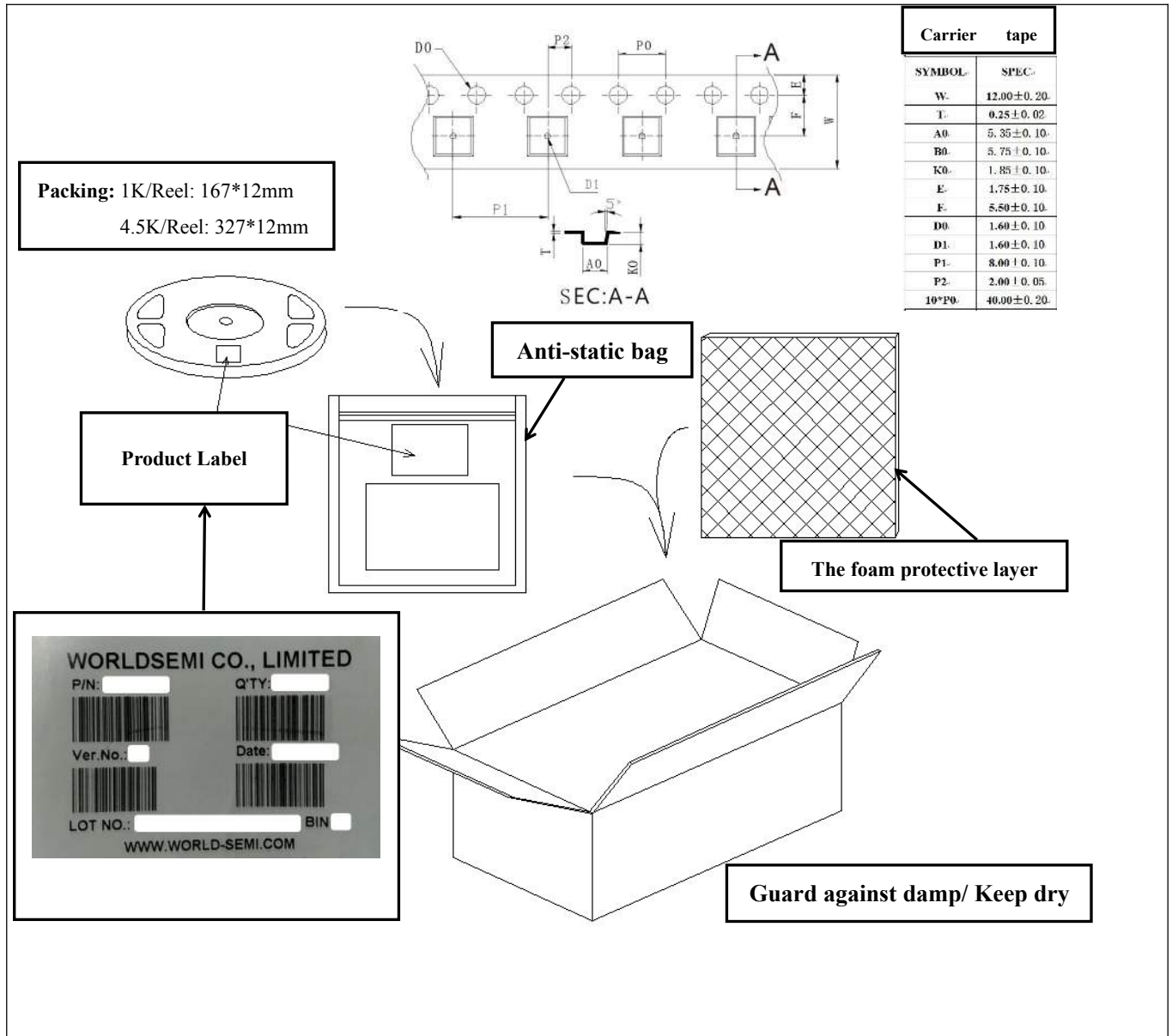
|    |    |    |    |    |    |    |    |    |    |    |    |    |    |    |    |    |    |    |    |    |    |    |    |
|----|----|----|----|----|----|----|----|----|----|----|----|----|----|----|----|----|----|----|----|----|----|----|----|
| G7 | G6 | G5 | G4 | G3 | G2 | G1 | G0 | R7 | R6 | R5 | R4 | R3 | R2 | R1 | R0 | B7 | B6 | B5 | B4 | B3 | B2 | B1 | B0 |
|----|----|----|----|----|----|----|----|----|----|----|----|----|----|----|----|----|----|----|----|----|----|----|----|

Note: Data transmit in order of GRB, high bit data is first.

**Typical application circuit**



## Packing Standard



## Top SMD LED Using Instructions

### 1. Summary

To make the best use of WORLDSEMI's LED, please refer to the below precautions, they are of same usage method as other electronic components.

## 2. Cautions

### 2.1. Dust & Cleaning

The surface of the LED is encapsulated with modified epoxy resin because it plays a very good role in protecting the optical performance and aging resistance. The modified epoxy resin is easy to stick with dust and must be kept clean. When there's a certain amount of dust on the surface of the LED, it won't affect brightness, but dust proof should be taken care of. Promoting the use of unsealed package in preference to others and the assembled LEDs should be placed in a clean container.

Avoid using the organic solvents to clean the dust on the LED surface and it's necessary to confirm whether the cleaning fluid will dissolve the LED.

Do not clean the LEDs by the ultrasonic. Some parameters affecting the LED performance must be evaluated if have no alternative but to the ultrasonic cleaning method, such as ultrasonic power, baking time and assembly conditions, etc.

### 2.2. Moisture-proof packaging

TOP SMD LEDs are moisture sensitive components. LEDs are packaged in aluminum foil bag to prevent the from absorbing moisture during transport and storage. A desiccant is placed in the bags to absorb moisture. If the LED absorbs moisture, then it evaporates and expands when in reflow process, which may break the colloid from the bracket and damage the optical performance of LED. For this reason, moisture-proof packaging is to prevent the from absorbing moisture during transport and storage. The moisture resistance rating of WORLDSEMI's LED is: **LEVEL 5a**.

**Table I - IPC/JEDEC J-STD-020 Moisture/Reflow Sensitivity Classification**

| MSL Level | Workshop Life                |             |
|-----------|------------------------------|-------------|
|           | Time                         | Conditions  |
| LEVEL1    | Unlimited                    | ≤30°C/85%RH |
| LEVEL2    | 1 Year                       | ≤30°C/60%RH |
| LEVEL2a   | 4 Weeks                      | ≤30°C/60%RH |
| LEVEL3    | 168 Hours                    | ≤30°C/60%RH |
| LEVEL4    | 72 Hours                     | ≤30°C/60%RH |
| LEVEL5    | 48 Hours                     | ≤30°C/60%RH |
| LEVEL5a   | 24 Hours                     | ≤30°C/60%RH |
| LEVEL6    | Take-out and Use immediately | ≤30°C/60%RH |

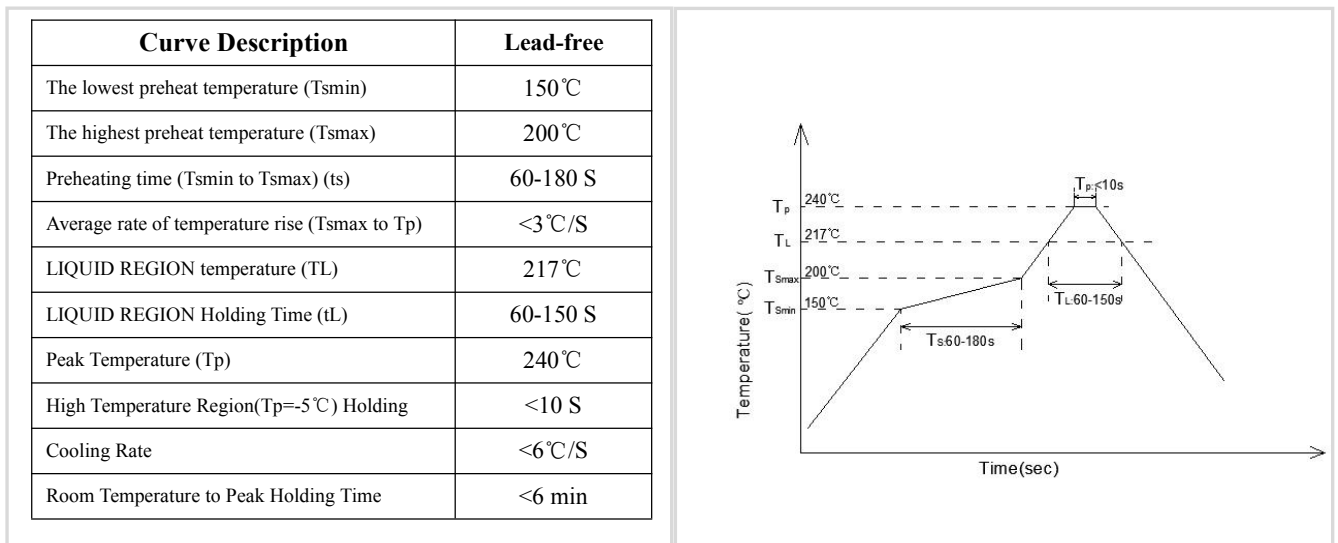
### 2.3. Management after unpacking

1. Please use the LED under the condition of “T<30°C, RH<60%”.
2. Use up within 24 hours after removing from packages.
3. We would recommend to do dehumidification if they exceed the valid storage period of products or dampened due to other reasons.

2.4. Dehumidification Operation (Non-leakage of air, baking temperature: 70°C-75°C >24H)

### 3. SMT Reflow

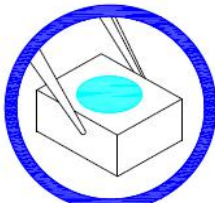
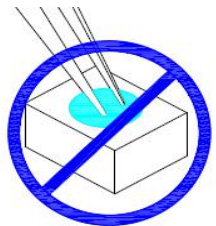
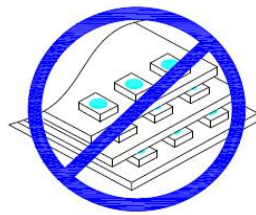

Refer to the parameters listed below, the experimental results prove that the TOP SMD LED meets the JEDEC J-STD-020C standards. As a general guideline, it is recommended to follow the SMT reflow temperature curve recommended by the solder paste manufacturer.



Remarks: 1. These general guidelines may not apply to all PCB designs and reflow soldering configurations.

2. All temperatures referred are measured on the surface of the package body.

### 4. Assembly Precautions

|   |  |  |   |
|---|--|--|---|
| 1. Clip the LED from its side.  | 2. Neither directly touch the gel surface with the hand or sharp instrument, it may damage its internal circuit. | 3. Not to be double stacked, it may damage its internal circuit.                     | 4. Can not be stored in or applied in the acidic sites of PH<7.                       |
|  |                               |  |  |

**Modify Record**

| Version № | Status Bar | Modify Content Summary  | Date     | Reviser     | Approved    |
|-----------|------------|---|----------|-------------|-------------|
| V1.0      | N          | New   | 20170523 | Shen JinGuo | Yin HuaPing |
| V1.1      | M          | Absolute Maximum Ratings  | 20171009 | Shen JinGuo | Yin HuaPing |
| V1.2      | M          | Maximum ratings, Data Transfer Time   | 20180207 | Shen JinGuo | Yin HuaPing |
| V2.0      | M          | “The transparent sealing silica gel” changed to “The opaque Modified Epoxy Resin”. Refers to PRECAUTIONS            | 20180412 | Shen JinGuo | Yin HuaPing |
| V3.0      | M          | Logical Input Voltage; Brightness adjustment; Precautions   | 20180719 | Shen JinGuo | Yin HuaPing |
| V4.0      | M          | Driver IC upgraded;<br>No extra components needed.  | 20190423 | Shen JinGuo | Yin HuaPing |
| V5.0      | M          | On the basis of V4.0, enhance the drive IC internal filtering effect, remove the LED internal packaging capacitance | 20191020 | Shen JinGuo | Yin HuaPing |

**Remarks:**

1. Initial version: V1.0; Parameter added or modified, version number plus "0.1", for example: V1.0→ V1.1
2. Major version design or more parameters modified, version number plus “1.0”, for example: V1.0→V2.0
3. With no version number attached to part number
4. Status bar: N--New, A--Add, M--Modify, D--Delete