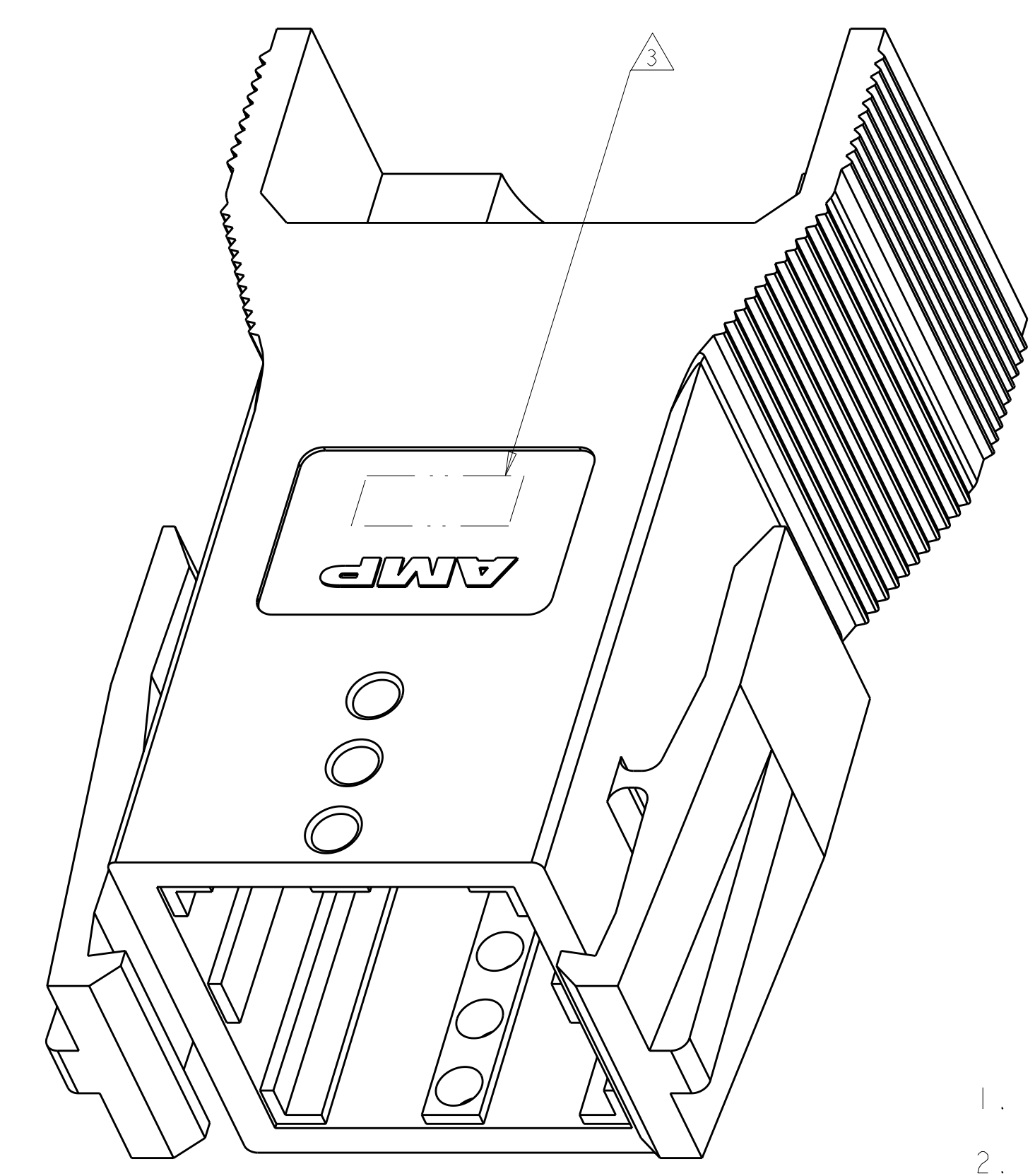
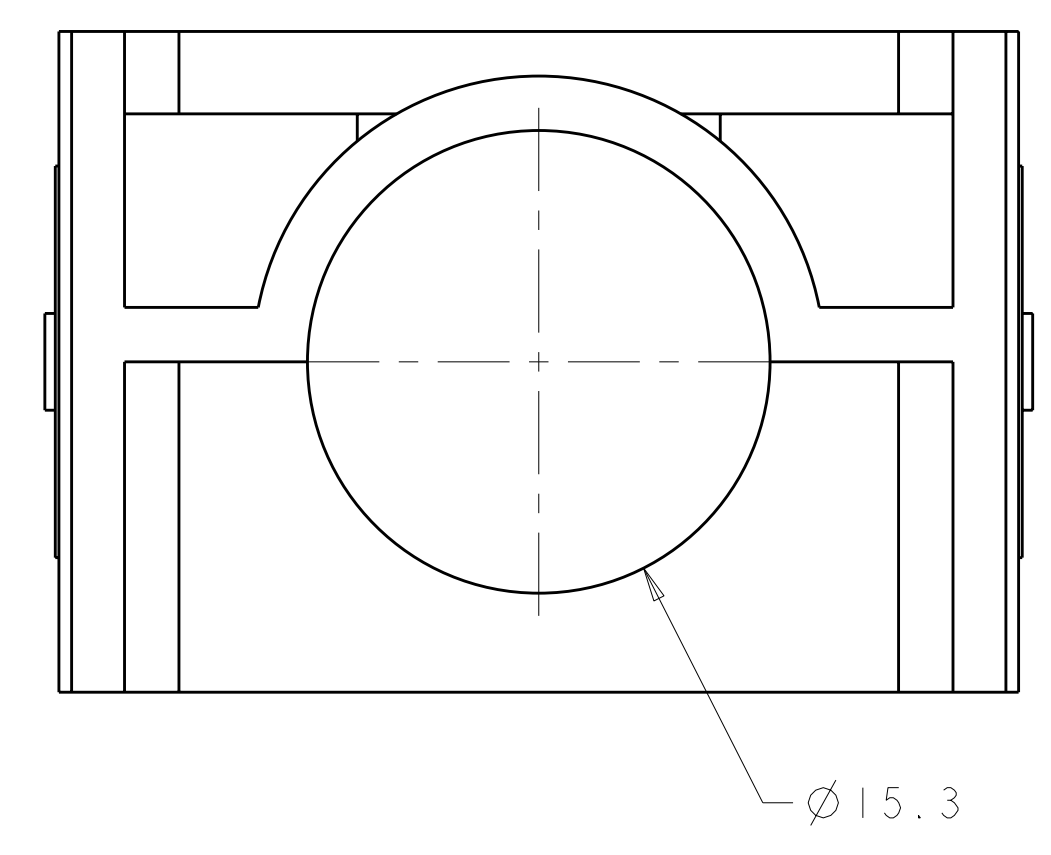
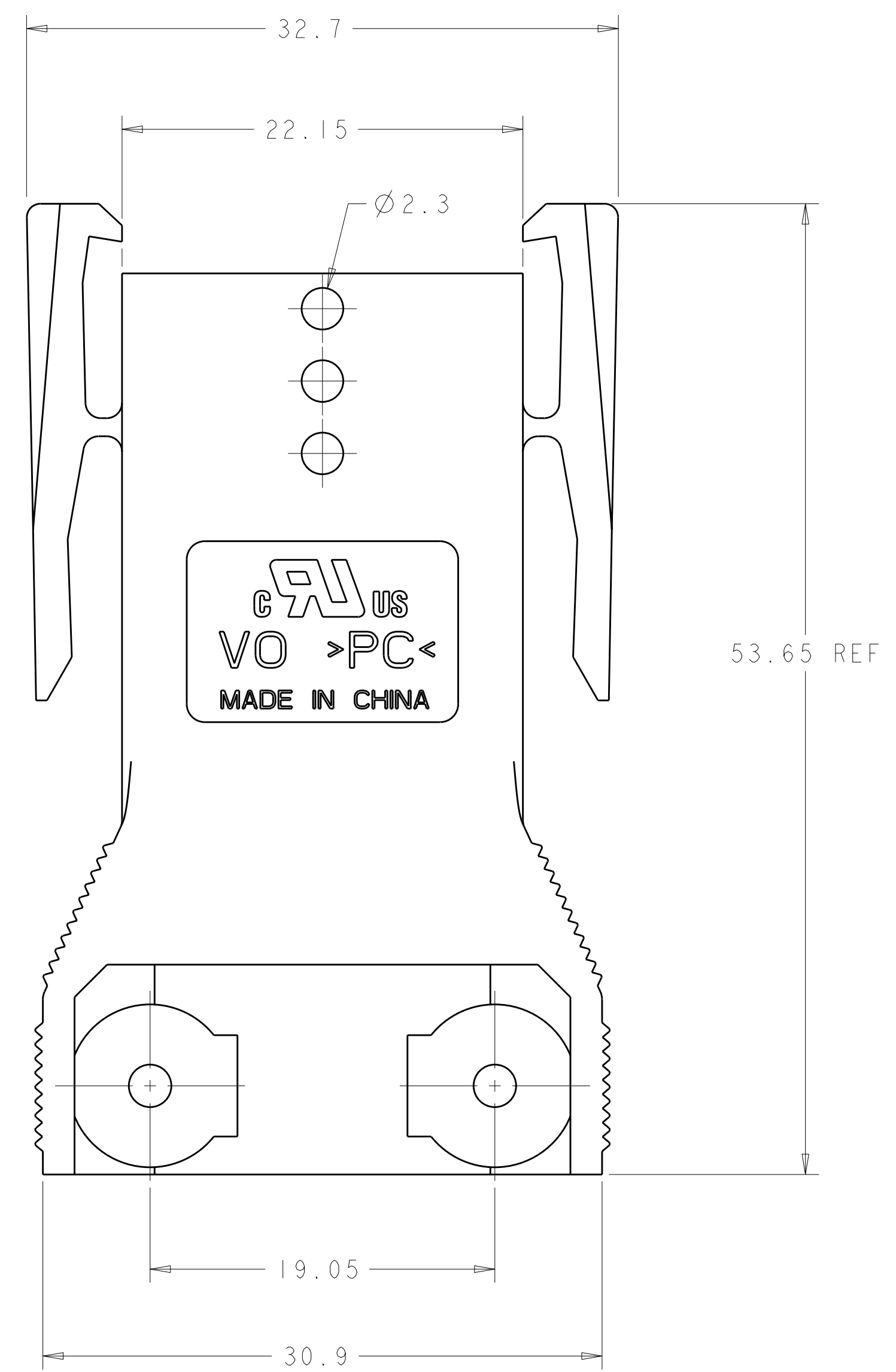
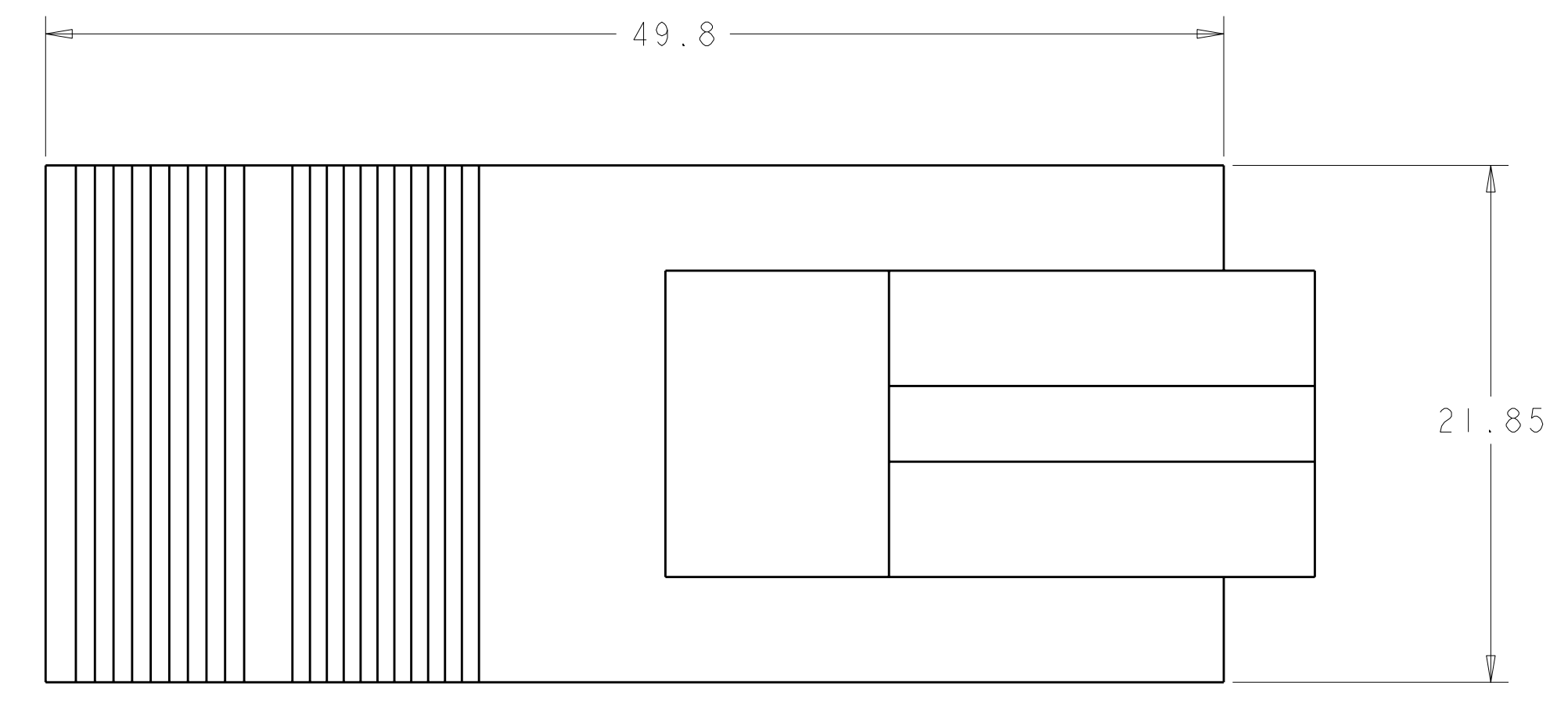


LOC		DIST		REVISIONS			
FT	0	REV	DATE	BY	CHK	APP	REV
		B	03JUN2011	REVISED PER ECO-11-005167		HMR	DY



1. MATERIAL: POLYCARBONATE 94-V0
  2. COLOR: BLACK
- △ 3 TE OR TE CONNECTIVITY LOGO LOCATED APPROX IN THIS AREA.



1604083-1  
PART NUMBER

THIS DRAWING IS A CONTROLLED DOCUMENT.		DWN B. HAYMAKER 09JAN2002	NAME		RESTRICTED TO	
DIMENSIONS:		CHK K. KETELSLEGER 14MAR02	PRODUCT SPEC		SIZE	
TOLERANCES UNLESS OTHERWISE SPECIFIED:		APVD K. KETELSLEGER 14MAR02	APPLICATION SPEC		CAGE CODE	
mm		WEIGHT		DRAWING NO		REV
9 PLC ±0.13		CUSTOMER DRAWING		A100779C-1604083		B
1 PLC ±0.13		SCALE 4:1		SHEET 1 OF 1		
3 PLC ±0.13						
5 PLC ±0.13						
4 PLC ±						
ANGLES ±30°						
FINISH						