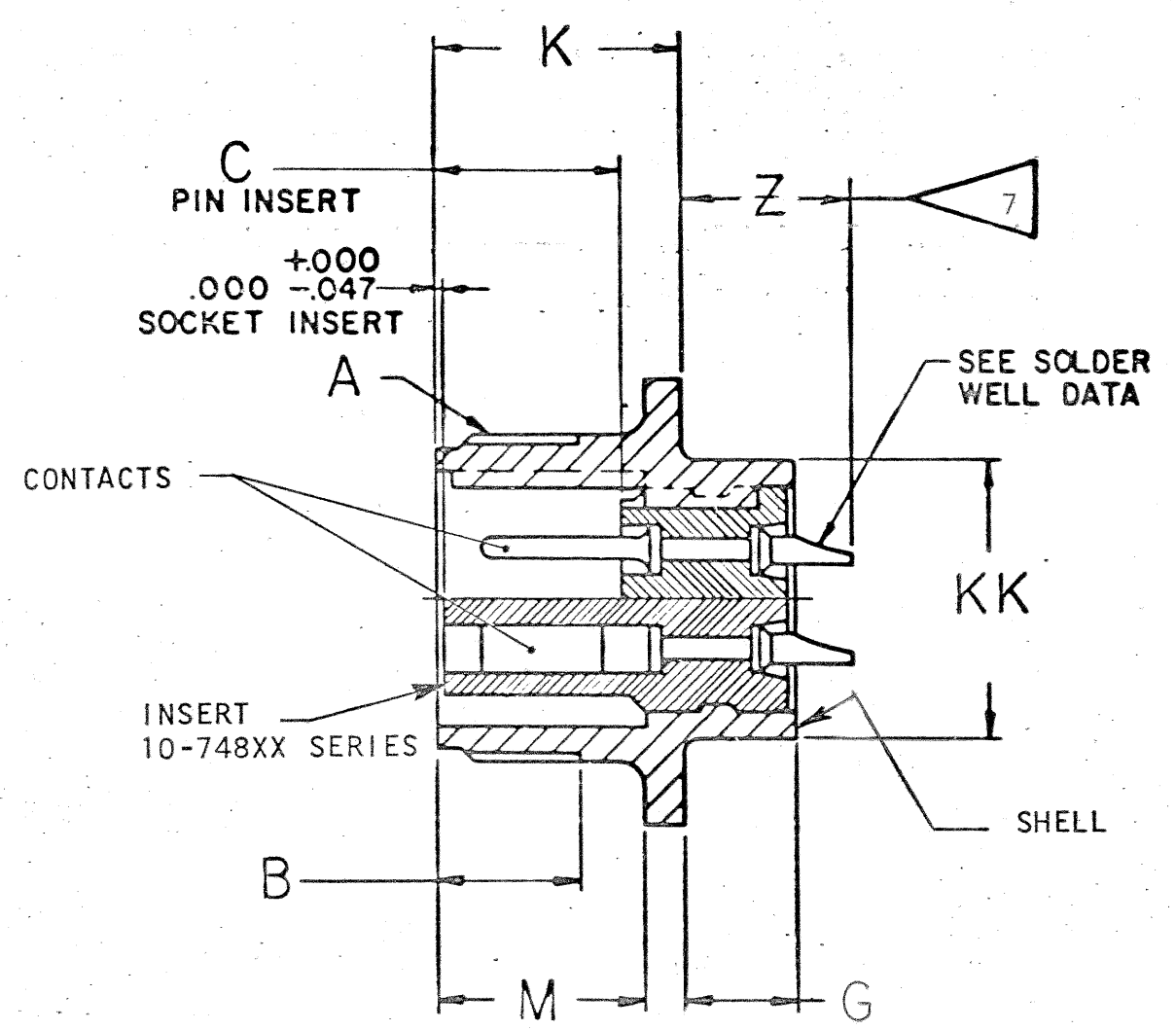
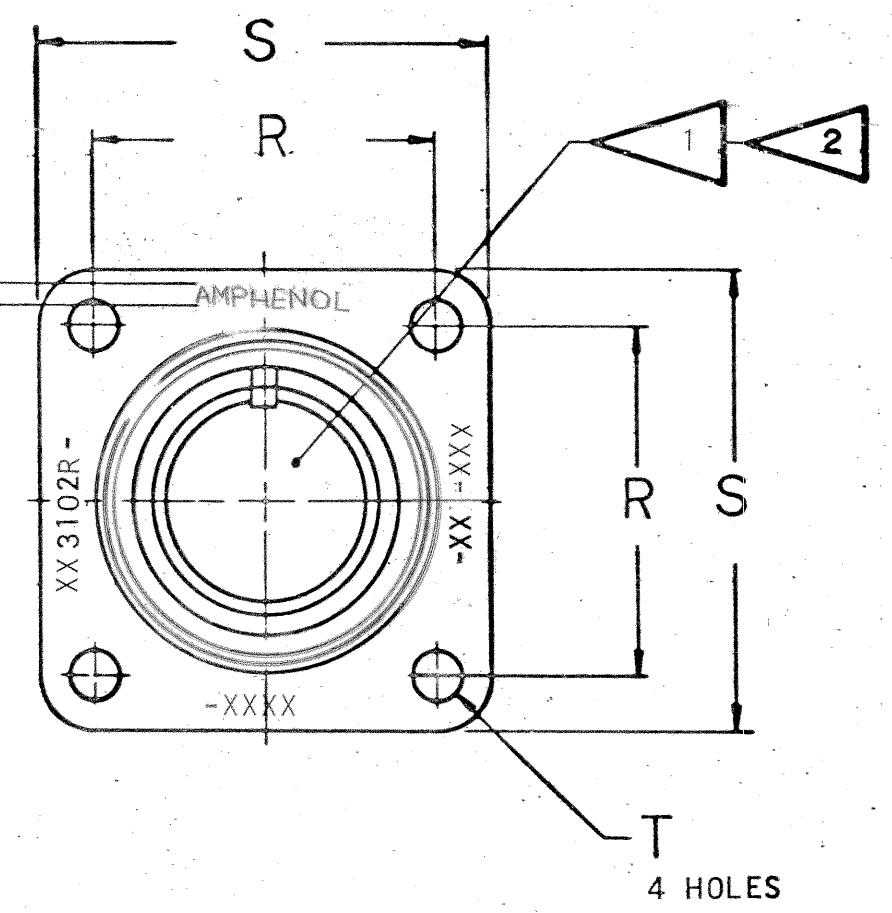


35508-462

		REVISIONS		
ZONE	LTR	DESCRIPTION	DATE	APPROVED
	A8	REDRAWN SAME SIZE; REVISED & STANDARDIZED (SEE CHANGE NOTICE) ECN: 55525-42	11-30-72 LAMBRECHT	<i>[Signature]</i>
	A9	WAS 11SL (MS OR SM COL) ECN: 55525-119	2-4-74 SHEPLER	<i>[Signature]</i>
	B	(MFG); ADD. 9-3895 (PROCESS SPEC); REV STAMPING NOTE ECN 57216-4	12.22.75 <i>[Signature]</i>	<i>[Signature]</i>
	C	(MFG); REV STAMPING NOTE 9 ECN 57738-3	5-19-76 BOWKER	<i>[Signature]</i>
	D	(CL II) SEE ECN 91396	8/19/02	<i>[Signature]</i>

STAMP "AMPHENOL" & SM NO. PER 9-2811  
EXAMPLE:  
AMPHENOL SM3102R-18-54P

OR  
STAMP "AMPHENOL" & DATE CODE (9-3895) & MS NO. PER 9-2811  
EXAMPLE:  
AMPHENOL-7539 JMS3102R-18-1P



CONTACT DATA (WHERE APPLICABLE)				
THERMOCOUPLE		COAXIAL		
MATERIAL	IDENTIFICATION	ARR	CABLE	Z <sub>1</sub> DIM MAX
CHROMEL	WHITE			
ALUMEL	GREEN			
IRON	BLACK			
CONSTANTAN	YELLOW			
INSERT ARRANGEMENTS CONTAINING THERMOCOUPLE OR COAXIAL CONTACTS MUST HAVE SUCH CONTACTS ASSEMBLED INTO THE INSERT IN PROPER LOCATIONS AS SPECIFIED BY APPLICABLE DWG L-11908-() THRU L-11948-().				

STANDARD SOLDER WELL DATA						SPECIAL SOLDER WELL DATA			THERMOCOUPLE	
CONTACT SIZE	0	4	8	12	16	8 FOR NO. 6 WIRE	12 FOR NO. 10 WIRE	16 FOR NO. 12 WIRE	12	16
WELL DIA	.469 <sup>+.005</sup> <sub>-.003</sub>	.332 <sup>+.005</sup> <sub>-.003</sub>	.209 <sup>+.004</sup> <sub>-.002</sub>	.116 <sup>+.004</sup> <sub>-.002</sub>	.078 <sup>+.004</sup> <sub>-.002</sub>	.250±.003	.152 <sup>+.004</sup> <sub>-.002</sub>	.109 <sup>+.004</sup> <sub>-.001</sub>	.125 <sup>+.004</sup> <sub>-.002</sub>	.094 <sup>+.004</sup> <sub>-.002</sub>
WELL DEPTH	<sup>+.031</sup> <sub>-.000</sub>	.625	.625	.500	.375	.500	.250	.188	.250	.188

FIND NO.	QTY REQD	CODE IDENT	PART NUMBER	DESCRIPTION	NOTE REF
<b>PARTS LIST</b>					
UNLESS OTHERWISE SPECIFIED LINEAR DIMENSIONS ARE IN INCHES. TOLERANCES: .XXX ± .010, .XX ± .03, .X ± .1, ANGLES ± 2°. OTHER STANDARDS PER 9-3800 AND MIL-D-1000. NOTE REF			PREPARED JOYCE 9/25/58	DATES 10-2-73	The Bendix Corporation Electrical Components Division Sidney, New York  <b>TITLE: CONNECTOR, ELECTRICAL RECEPTACLE, TYPE MS-R, SM-R () FB</b>
			CHECKED <i>[Signature]</i>	12-7-72	
			APPROVED <i>[Signature]</i>	10-4-73	
			APPROVED <i>[Signature]</i>		
MATERIAL SPEC TEST 9-3106-1 ASSY 9-3238-1 9-2437 9-2811 9-3895				SIZE <b>C</b>	CODE IDENT NO. <b>77820</b>
				<b>10-190208 THRU 10-190250</b>	
				SCALE NONE	SEE PARTS LIST
				REF 0-131208/50	SHEET 1 OF 2

SEE SHEET 2  
NOTES:

10-190208/50

