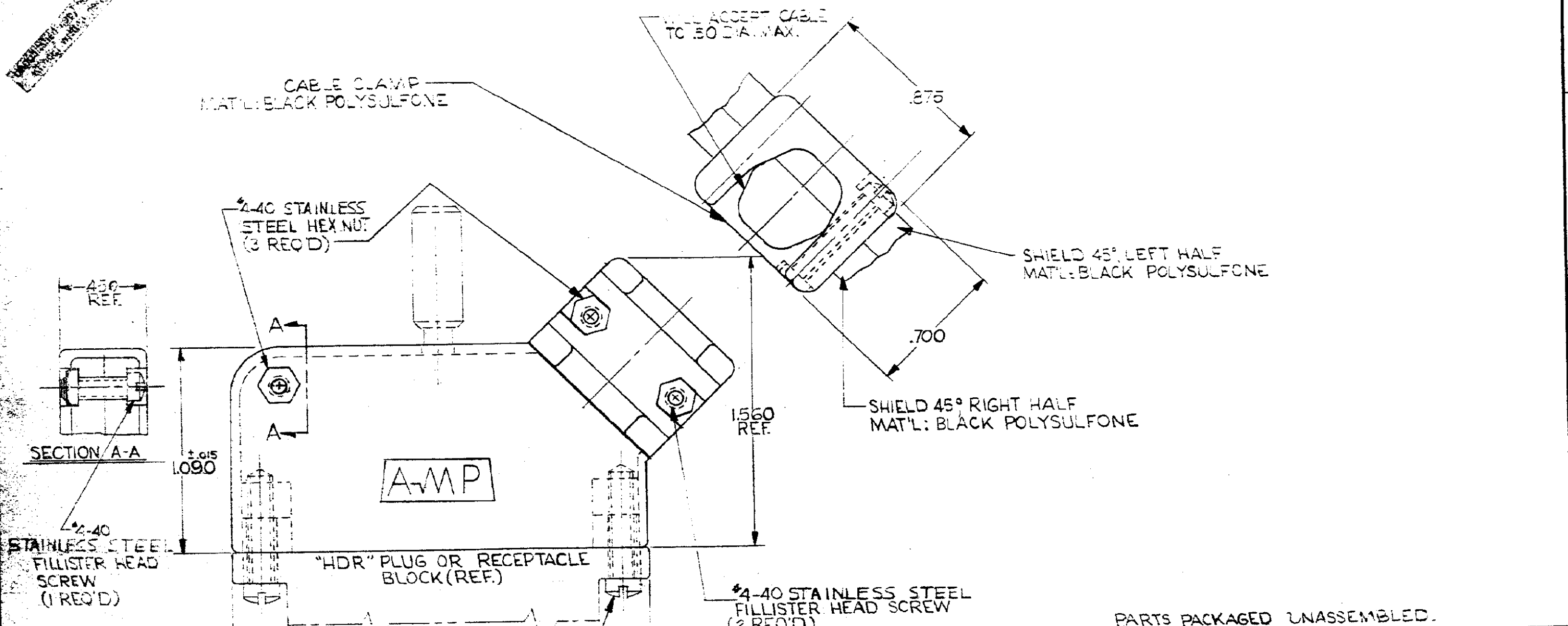


MADE IN AMERICAN PRODUCTION
 © 1970 BY AMP INCORPORATED. ALL RIGHTS RESERVED. AMP PRODUCTS COVERED BY PATENTS AND/OR PATENTS PENDING.

REVISIONS				
ZONE	LTR	DESCRIPTION	DATE	APPROVED
	0	RELEASE WAS 504-354-8	6-29-70	WAS
	A	REV. PER ECN F-007	6-30-70	
	E	REV. PER ECN G-290	6-30-70	
	C	REV. PER ECN R-2572	6-30-70	



205083-4	2.534	48
-3	2.134	36
-2	1.734	24
205083-1	1.334	12
PART NUMBER	A	NUMBER OF WIRES

UNLESS OTHERWISE SPECIFIED DIMENSIONS ARE IN INCHES TOLERANCES ON: DECIMALS ± # ANGLES ± #	CONTRACT NO.		AMP INCORPORATED HARRISBURG, PENNSYLVANIA	
	DR. <i>L. Morningstar</i>	6-29-70	NAME SHIELD 45° STRAIN RELIEF ASSY "HDR" SERIES	
	CHK. <i>R. P. ...</i>	6-30-70		
	MATERIAL	APPD. <i>R. P. ...</i>	6-30-70	SIZE B
SEE CALLOUT	REL. <i>R. P. ...</i>	6-30-70	NUMBER 205083	SHEET 1 OF 1
	DSGN APPD		SCALE	
	OTHER APPD			

PARTS PACKAGED UNASSEMBLED.

CUSTOMER DRAWING