

SPECIFICATIONS:

Insulation Resistance: 500MΩ min. at 125V DC
 Withstanding Voltage: 125Vrms for 1min
 Voltage Rating: 50Vrms AC
 Current Rating: 0.3A
 Contact Resistance: 50mΩ max. at 20mV max.
 Operating Temp.: - 20°C ~ +85°C
 Mating Cycle: 20 times

MATERIALS AND FINISH:

- Contacts: Ni-Au Alloy
- Metal Shell: Ni-Au Alloy
- Insulator: LCP
- SMT Tabs: Stainless Steel

AUTOMOTIVE COMPLIANT

PART NUMBER:

CNU018X-XXX-0XXX

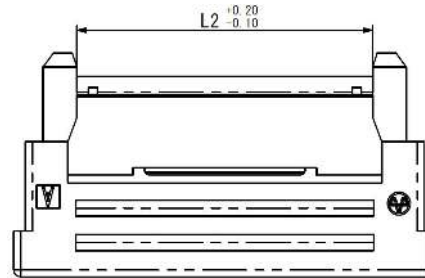
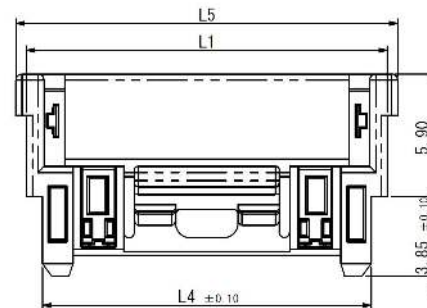
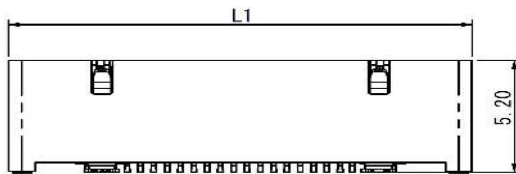
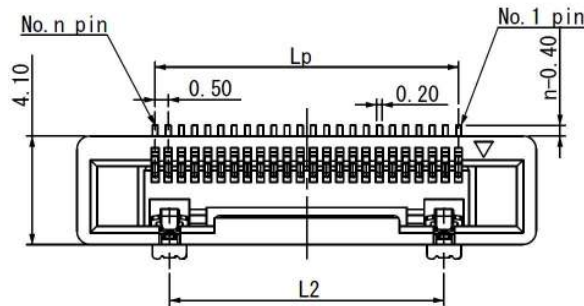
Series Name
 P = Plug Adaptor
 S = Host Connector
 Pin Counts:
 24, 32, 50 pins
 Plug Adapter:
 0001 = Plug Insulator Body
 01SH = Plug Metal Shell
 Host Connector:
 0001 = Vertical Mount with R/A SMT Tabs
 0002 = R/A Mount with R/A SMT Tabs
 0011 = Vertical Mount with Vertical SMT Tabs
 0012 = R/A Mount with Vertical SMT Tabs

FEATURES:

- Blind-Mate design for easy and efficient assembly process
- Automotive grade performance
- Fool-Proof mating structure
- Audible sound effect when successfully mated
- RoHS and REACH Compliant



OUTLINE DIMENSIONS (mm):



50	24.5	30.4	23.4
32	15.5	21.4	14.4
24	11.5	17.4	10.4
Pin count	Lp	L1	L2

CNU018S Host Connector

50	24.5	30.4	25.9	28.85	31.4
32	15.5	21.4	16.9	19.85	22.4
24	11.5	17.4	12.9	15.85	18.4
Pin count	Lp	L1	L2	L4	L5

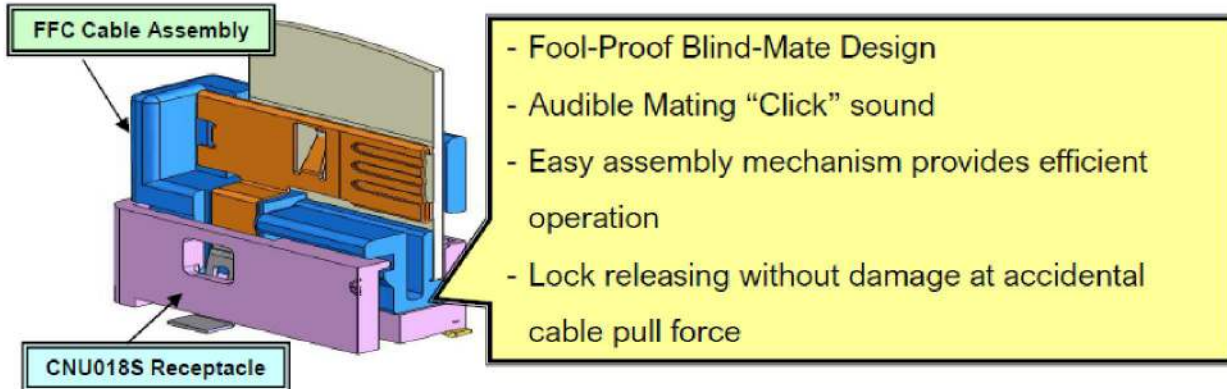
CNU018P Plug Adapter

YAMAICHI ELECTRONICS

Blind-Mate FFC Connector

CNU018 Series Products Design Features

Audible Locking Center-Latch Mechanism



CNU018 Product Series are designed to be the perfect blind-mate FFC connectors. With keyed insulator design for blind-mate function and special auto-disengage function, the product series provides reliable mating quality and durability for product maintenance/replace purposes.

Vibrations & Impact Shock Test Result for Automotive Usage

Test Item	Qualification Condition	Result
Mechanical Vibration Resistance	<ul style="list-style-type: none"> • Set-up: Mated condition • Sweep Rate: 10-2,000-10Hz for 5mins • Acceleration: 20m/s² • Test along X,Y, Z axis 	PASS
Sweep Vibration Resistance	<ul style="list-style-type: none"> • Set-up: Mated condition • Sweep Rate 5-2,000-2Hz for 15mins • Acceleration: 4.9 ~ 44.1m/s² • Duration: 18hrs each axis • Test along X,Y, Z axis 	PASS
Impact Force Resistance	<ul style="list-style-type: none"> • Set-up: Mated condition • Shock Wave Form: Half sinewave • Acceleration: 980m/s² • Impact Duration: 6sec each impact, 3 impacts for each axis • Test along X,Y, Z axis 	PASS

Companion FFC/FPC cable CAU018 series also available. Please contact YEU sales representative for more details