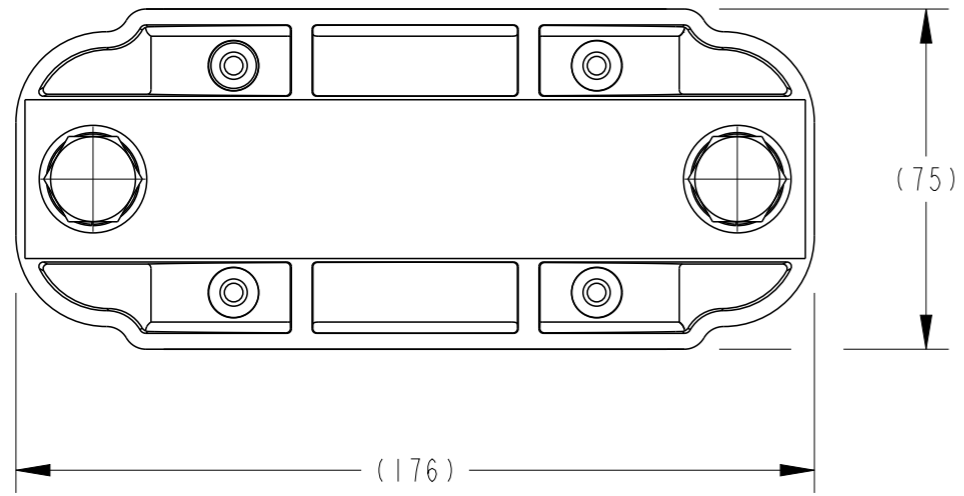
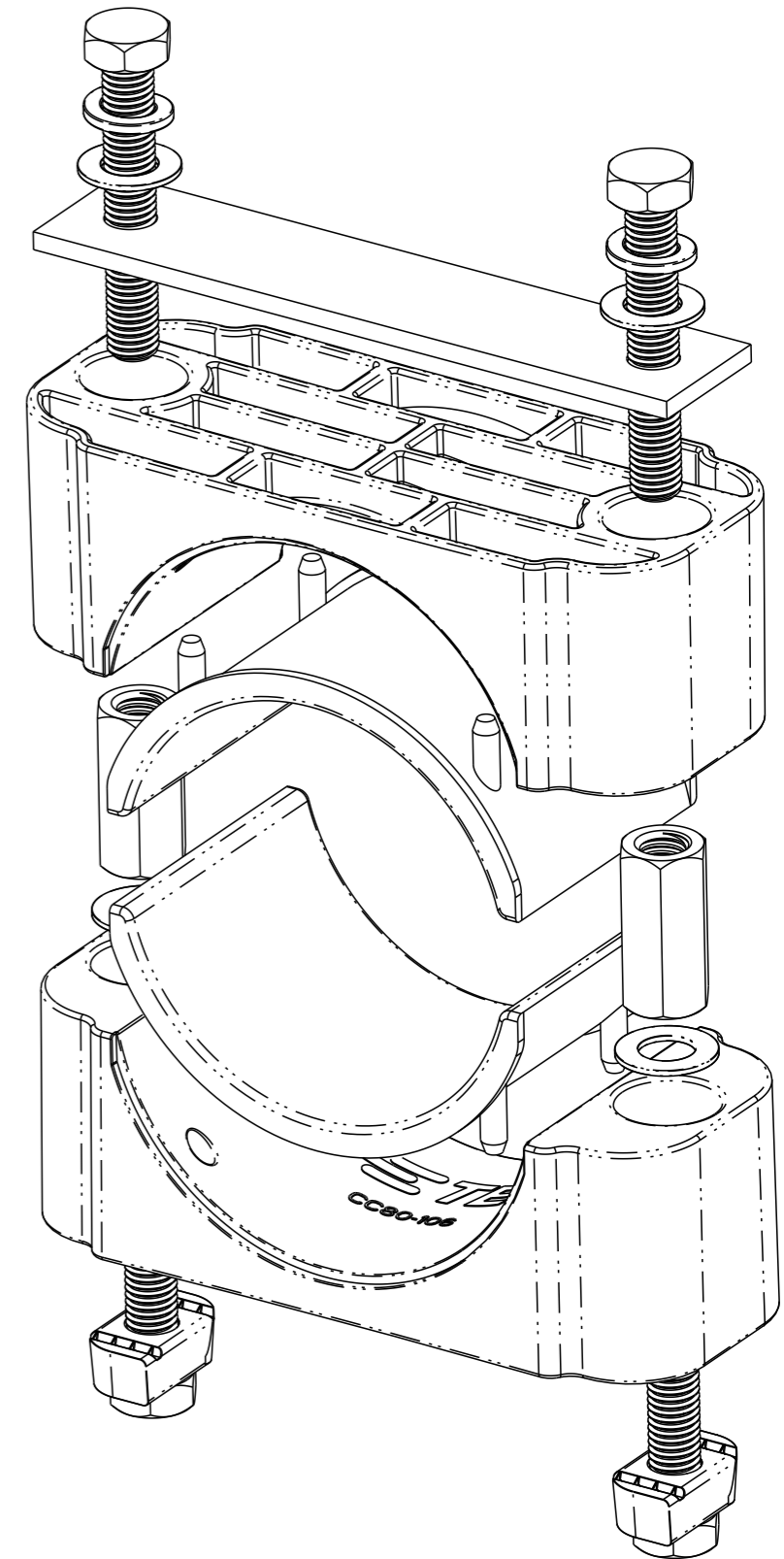
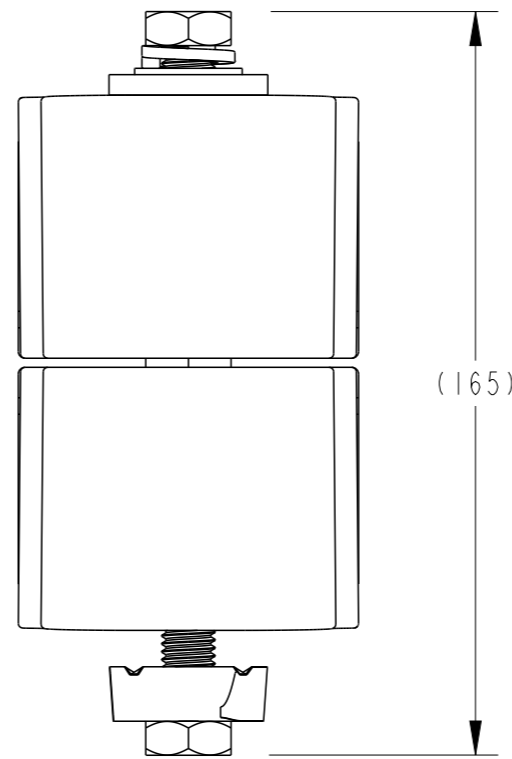
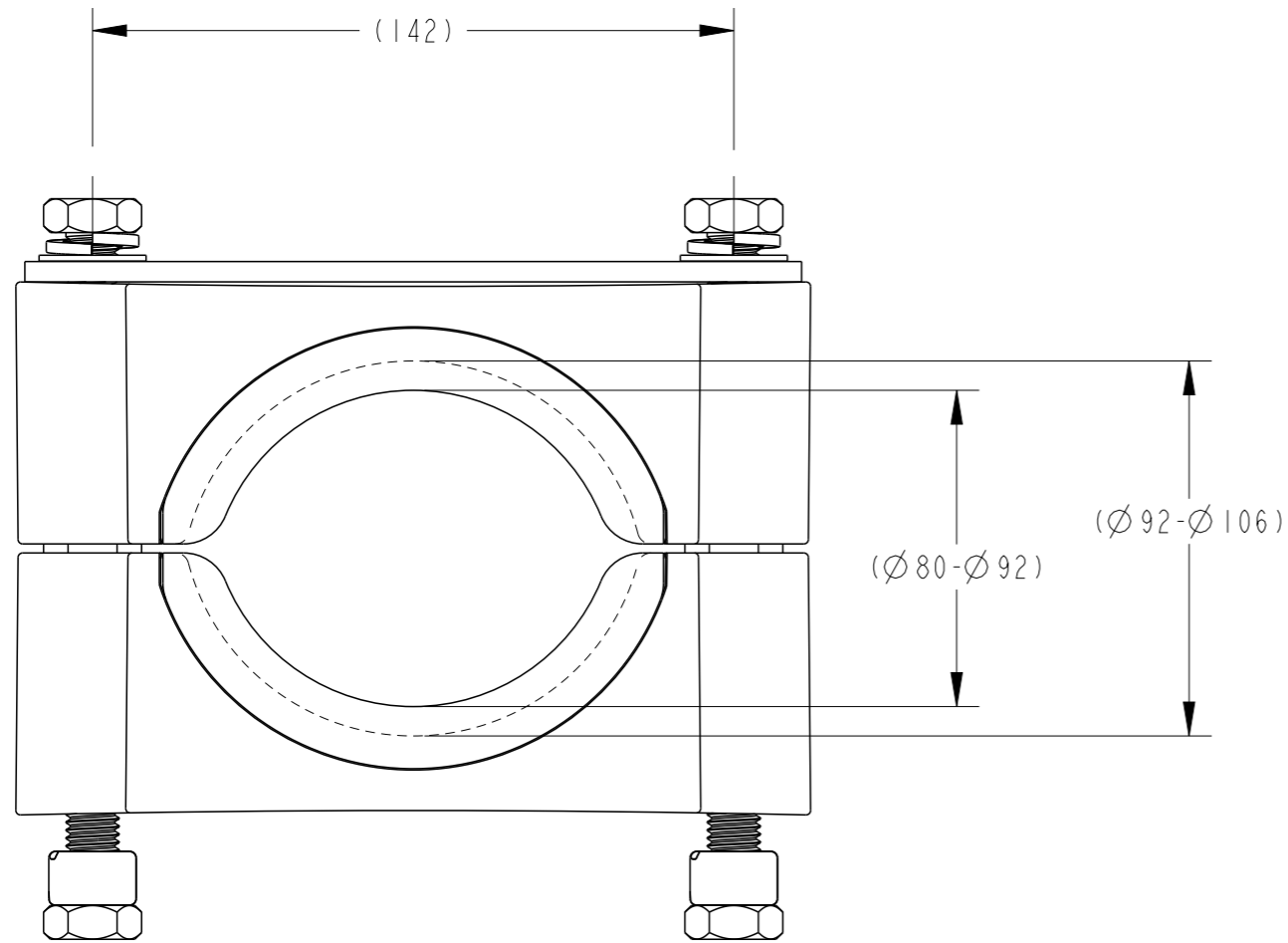


DRAWING NO. AU29463
THIS DRAWING IS A CONTROLLED DOCUMENT



PART NO.	CATALOGUE NO.
EF8408-000	CC80-92-SN-M12
EF8410-000	CC92-106-SN-M12



THIS INFORMATION IS CONFIDENTIAL AND PROPRIETARY TO TE CONNECTIVITY CORPORATION AND ITS WORLDWIDE SUBSIDIARIES AND AFFILIATES. IT MAY NOT BE DISCLOSED TO ANYONE, OTHER THAN TE CONNECTIVITY PERSONNEL, WITHOUT WRITTEN AUTHORIZATION FROM TE CONNECTIVITY CORPORATION, AUSTRALIA.

LOC	DIST	POS	REV	REVISION RECORD	DATE	DWN	APVD	MATERIAL NO	MATL SPEC/STD/DRG NO	PROCESS SPEC HEAT TREAT/PLATING NO	SIZE	PROJECTION	SCALE	DRAWING NO	SHEET	OF	REV
			I	NEW RELEASE	22-09-2014	RN	AT	-	-	-	A3	3RD ANGLE	3:5	AU29463			

IMPLIED NOTES
BURRS AND SHARP EDGES REMOVED
SCREW THREADS ARE TO AS 1275
DO NOT WORK TO DIMS MARKED REF
SURFACE FINISH 6.3 U.N.O.
DIMS ARE IN mm. DO NOT SCALE

IMPLIED TOLERANCES
HOLE DIA AND LOCATIONS: ±0.5mm
DIMENSIONS UP TO 30mm: ±1.5mm
DIMENSIONS OVER 30mm: ±5%
UP TO A MAX OF: ±5mm
ANGULAR DIMENSIONS: ±5°

TCPN
REFER TABLE
PART Alias UTX/DUL
CC80-106-SN-M12
Cat No
REFER TABLE

TITLE
CABLE CLEAT Ø80-Ø92 AND Ø92-Ø106
STRUT NUT

DRAWN RN
CHECKED RN
DATE 22-09-2014
APPROVED AT



TE Connectivity
2/3 Corella Close
Berkeley Vale NSW 2261 Australia