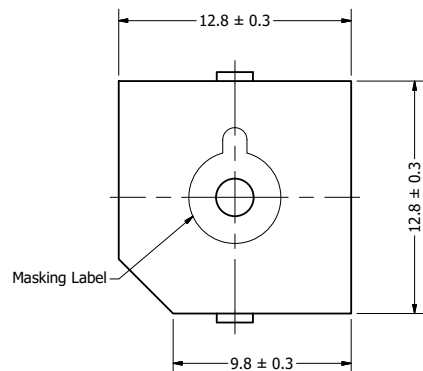
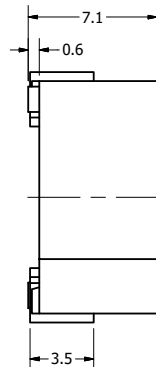


Part Number:	<b>IE122403-1</b>	
DRAWN	CJ	9/7/2017
CHECKED	P.D.	9/7/2017
Description:	<b>Electro-Mechanical Indicator</b>	
APPROVED	C.E.	9/7/2017
<small>This document contains data proprietary to DB Unlimited. Any use or reproduction, in any form, without prior written permission of DB Unlimited is prohibited. All terms and conditions can be found at <a href="http://www.dbunlimitedco.com">www.dbunlimitedco.com</a></small>		

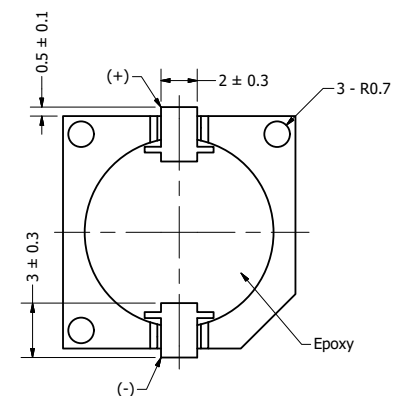
Top View



Side View



Bottom View



Items	Specifications	Conditions
Min. Sound Pressure Level	75	dB (@ 10cm)
Tone	Single	
Resonant Frequency	2,400 ± 400	Hz
Rated Voltage	3	V
Voltage Range	2 ~ 5	V
Max. Rated Current	30	mA
Storage Temperature	-40 ~ +85	°C
Operating Temperature	-30 ~ +70	°C
Connection Method	Surface Mount Pads	
Mount Type	Surface Mount	
Housing Material	PPS	
Weight	2	g

REVISION HISTORY

REV	DESCRIPTION	DATE	APPROVED
	Released from Engineering	10/21/2013	J.S.
1	Updated template, corrected height, added polarity markings	9/7/2017	C.E.

NOTES

- 1) All dimensions are in mm unless otherwise noted
- 2) All tolerances are ± 0.5 mm unless otherwise noted
- 3) All parts meet RoHS
- 4) Subject to change or redrawn without notice