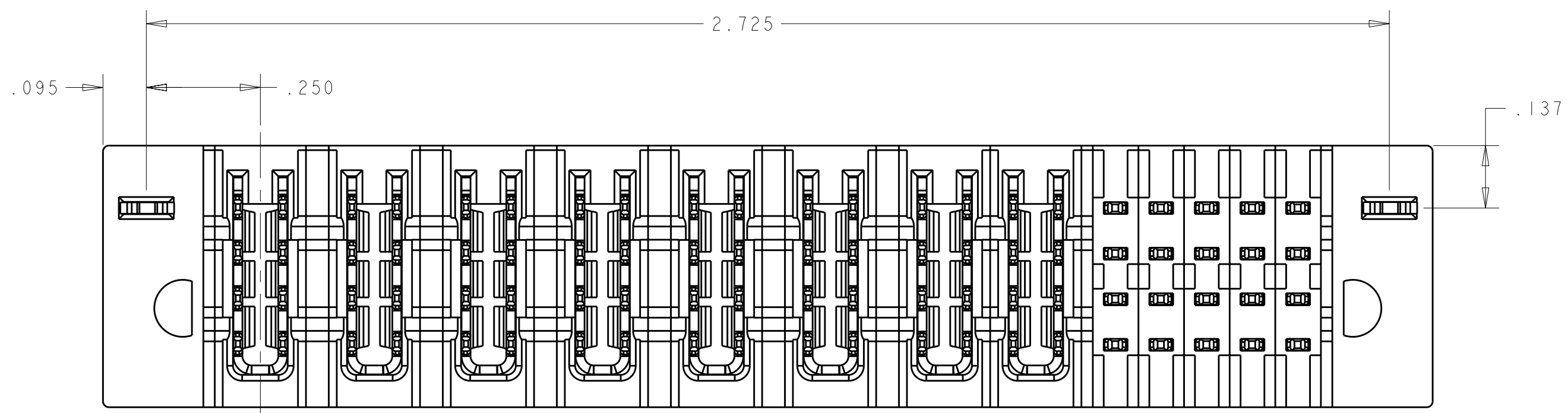
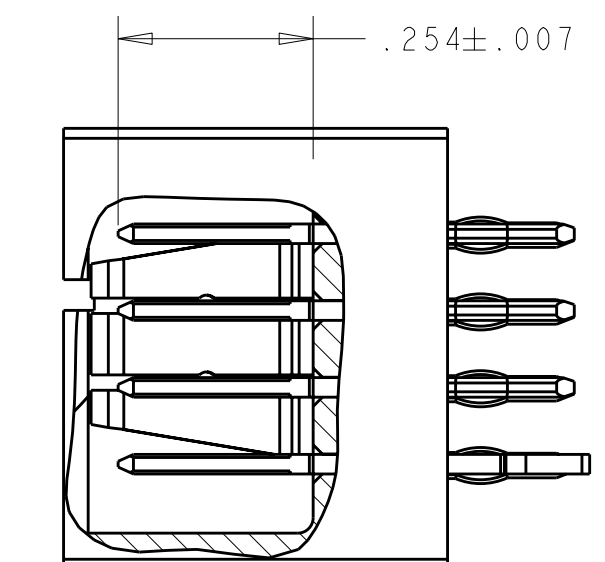
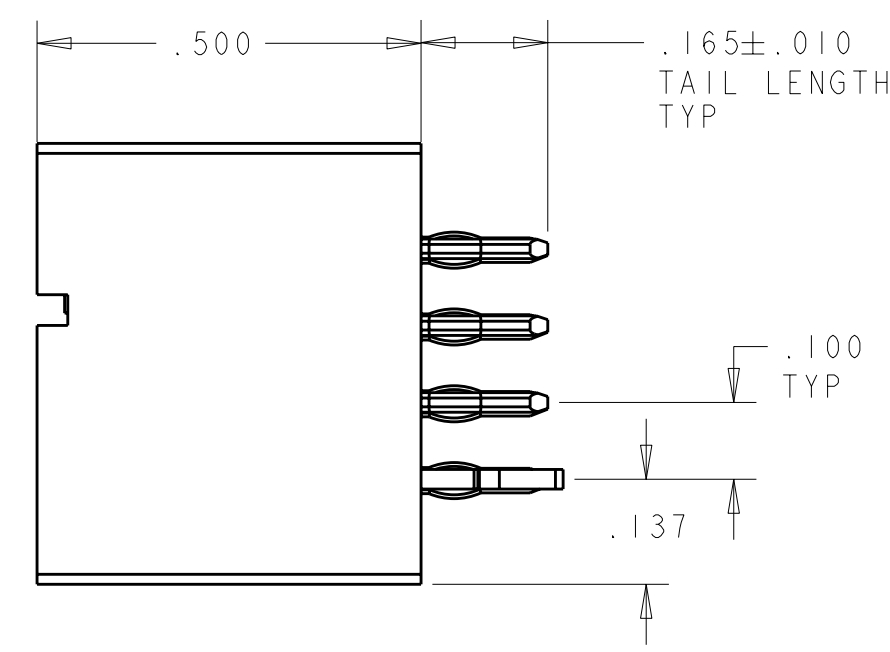
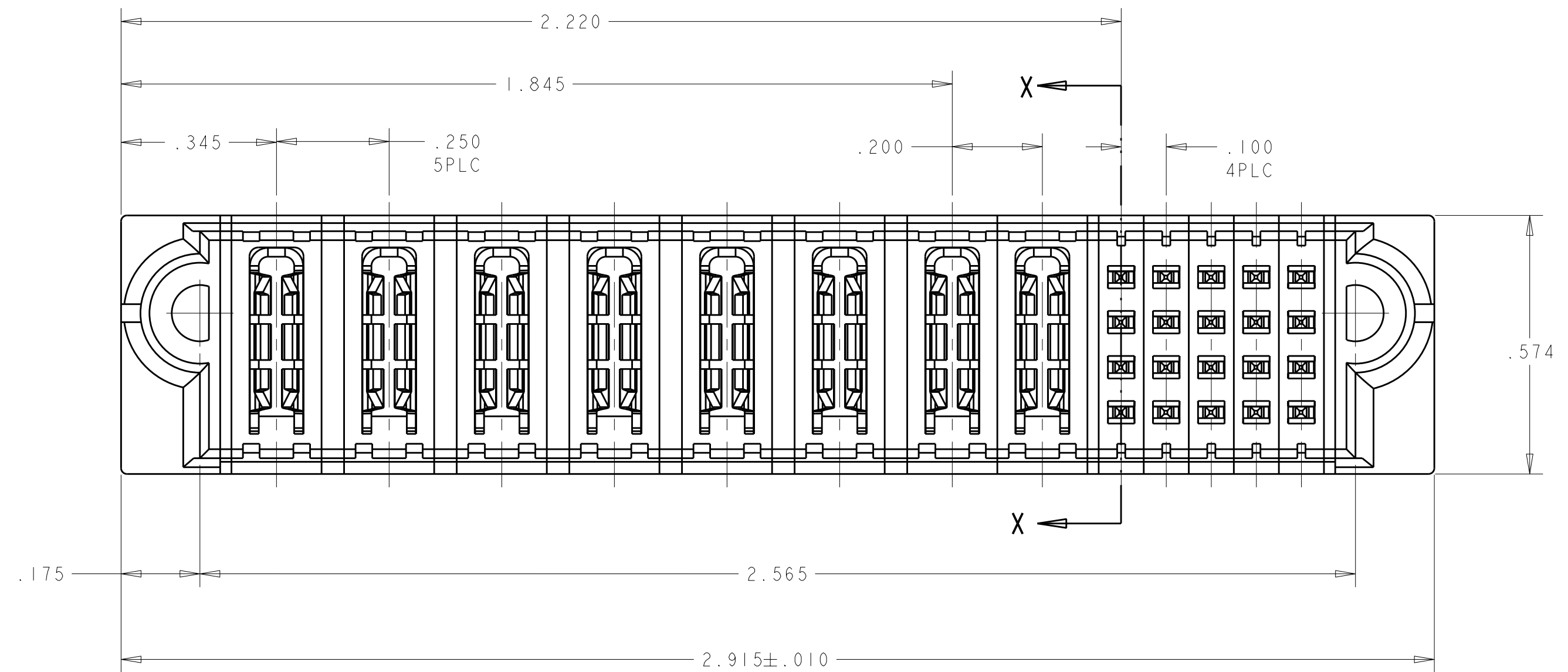
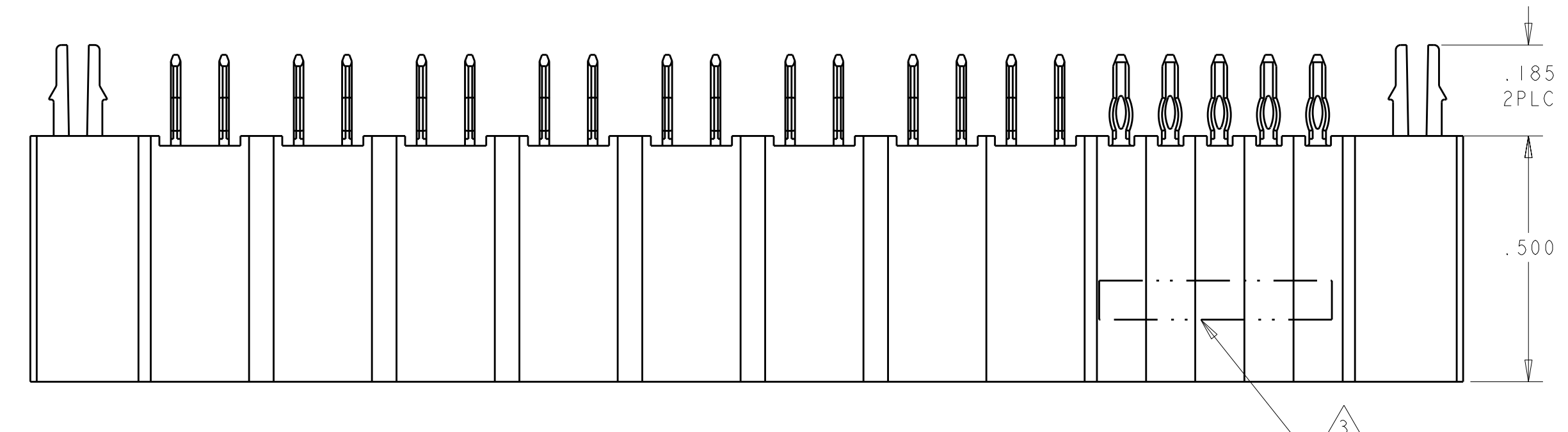


| LOC | DIST | REVISIONS | | | |
|-----|------|-----------|-----------|----|------|
| ES | 00 | REV | DATE | BY | APPD |
| | | A | 10JUN2009 | KT | SY |
| | | | | | |
| | | | | | |



- 1 HEADER HOUSING: THERMO PLASTIC, BLACK, UL94 V-0; CONTACTS AND RETENTION CLIPS: COPPER ALLOY.
- 2 PIN CONTACTS: .000030 MIN GOLD IN MATING AREA, .000100 MIN TIN ON POST AREAS, BOTH OVER .000050 MIN NICKEL. POWER CONTACTS: .000030 MIN GOLD IN MATING AREA, .000100 MIN TIN ON POST AREAS, BOTH OVER .000050 MIN NICKEL.
- 3 "AMP", PART NUMBER AND DATE CODE MARKED IN THIS AREA. PARTS UNDER 2.50" LONG MAY BE MARKED ON BOTH SIDES.
- 4 DATUM AND BASIC DIMENSIONS ESTABLISHED BY CUSTOMER.
- 5 PCB - ALL HOLE DIAMETERS ARE FINISHED HOLE SIZES.
- 6 A SEATING TOOL IS REQUIRED TO SEAT THE HEADER ON THE P.C. BOARD. PLEASE REFER TO THE 114-13038 APPLICATION SPEC.
- 7 MECHANICAL CONNECTOR KEEP OUT ZONE.



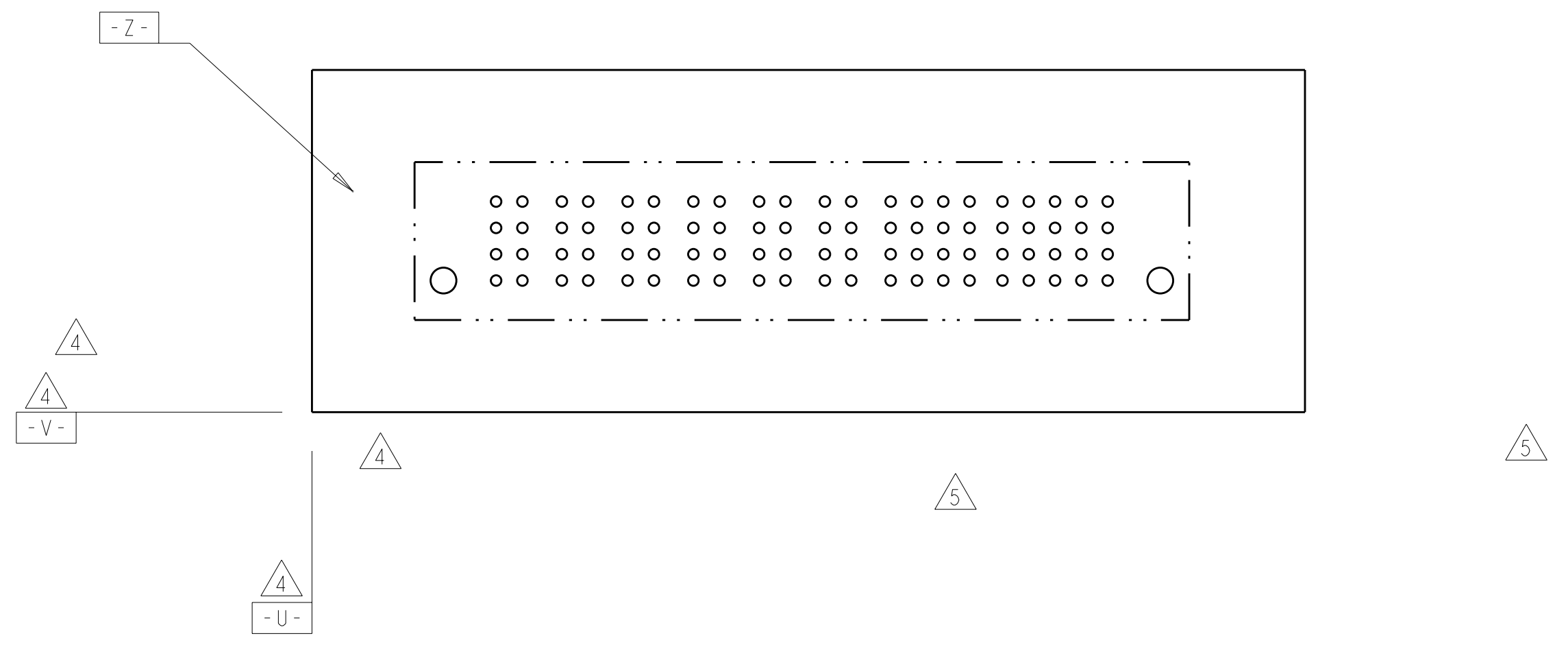
SECTION X-X
SCALE 4:1

| | |
|-----------------|-------------|
| 6P + 2HDP + 20S | 6450822-1 |
| DESCRIPTION | PART NUMBER |

| | | | | |
|----------------------------------------------------------------------------------------------------------------------------|--------------------------------------------------------------------------------------------------------------------|-----------------------------------------------------------------------------------------|----------------------------------------------------------------------------------|---------------------------------------------------------------------------------------------------------------------------------------------------------|
| <small>THIS DRAWING IS UNPUBLISHED. RELEASED FOR PUBLICATION BY TYCO ELECTRONICS CORPORATION. ALL RIGHTS RESERVED.</small> | | DWN: K.T. HE CHK: S. ZHAO APVD: S. YAO | 10JUN2009 10JUN2009 | Tyco Electronics Corporation Shanghai, P.R.China, 200233 |
| DIMENSIONS: INCHES | TOLERANCES UNLESS OTHERWISE SPECIFIED: 9 PLC ±. 1 PLC ±. 5 PLC ±. 4 PLC ±.005 ANGLES ±.0° FINISH | NAME: PRODUCT SPEC APPLICATION SPEC SIZE CAGE CODE DRAWING NO RESTRICTED TO | NAME: 108-1973 APPLICATION SPEC 114-13038 WEIGHT CUSTOMER DRAWING | NAME: VERTICAL HEADER ASSEMBLY W/ SHORT END MODULES MULTI-BEAM XLE SIZE CAGE CODE DRAWING NO A1100779C=6450822 SCALE 4:1 SHEET 1 OF 2 REV A |

| LOC | DIST | REVISIONS | | | | | |
|-----|------|-----------|-----|-------------|------|-----|------|
| ES | 00 | P | LTB | DESCRIPTION | DATE | DWN | APVD |
| | | - | - | SEE SHEET 1 | - | - | - |
| | | | | | | | |
| | | | | | | | |

| PART NUMBER | ROWS | POWER | | | | | | | | SIGNAL | | | | | |
|-----------------|------|-------|----|----|----|----|----|----|----|--------|----|----|----|----|--|
| | | P1 | P2 | P3 | P4 | P5 | P6 | P7 | P8 | 1 | 2 | 3 | 4 | 5 | |
| 6450822-1 | D | VM | VM | VM | VM | VM | VM | VM | VM | EV | EV | EV | EV | EV | |
| | C | VM | VM | VM | VM | VM | VM | VM | VM | EV | EV | EV | EV | EV | |
| | B | VM | VM | VM | VM | VM | VM | VM | VM | EV | EV | EV | EV | EV | |
| | A | VM | VM | VM | VM | VM | VM | VM | VM | EV | EV | EV | EV | EV | |
| | | HD | | | | | | | | | HD | | | | |
| 6P + 2HDP + 20S | | | | | | | | | | | | | | | |



| | |
|--------------------|------|
| HOLD DOWN | HD |
| SIGNAL CONTACT STD | EV |
| POWER CONTACT | VM |
| DESCRIPTION | CODE |

| | | | |
|----------------------------------------------------------------------------------------------------------------------------------------------------------------------------------------------------------|---------------------------------------------------------------------------------------------------------------------------|--------------------------------------------------------------------------------------------------------------------------------------------------------------|--------------------------------------------------------------|
| <small>THIS DRAWING IS UNPUBLISHED. RELEASED FOR PUBLICATION. ALL RIGHTS RESERVED. THIS IS SUBJECT TO CHANGE WITHOUT NOTICE AND WITHOUT OBLIGATION. SHOULD BE CONTACTED FOR THE LATEST REVISION.</small> | | DWN: RT.HE 10JUN2009 CHK: S.ZHAO 10JUN2009 APVD: S.YAO | Tyco Electronics Corporation Shanghai, P.R.China, 200233 |
| DIMENSIONS: INCHES | TOLERANCES UNLESS OTHERWISE SPECIFIED: 0 PLC ± 1 PLC ± 2 PLC ± 3 PLC ±.005 4 PLC ± ANGLES ±2° FINISH | NAME: VERTICAL HEADER ASSEMBLY W/ SHORT END MODULES MULTI-BEAM XLE PRODUCT SPEC: 108-1973 APPLICATION SPEC: 114-13038 WEIGHT: - CUSTOMER DRAWING | SIZE: A 00779 C=6450822 SCALE: 4:1 SHEET 2 OF 2 REV A |