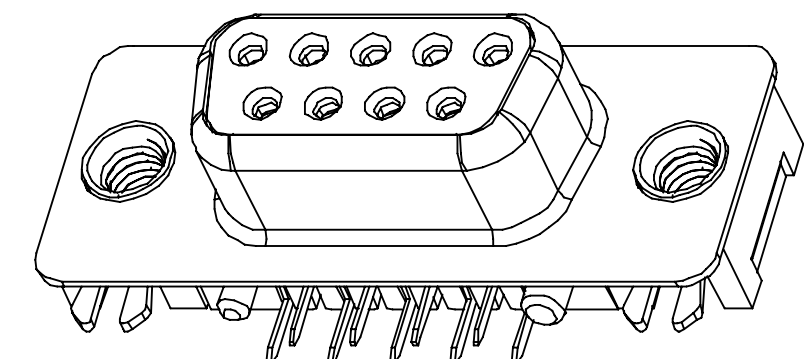
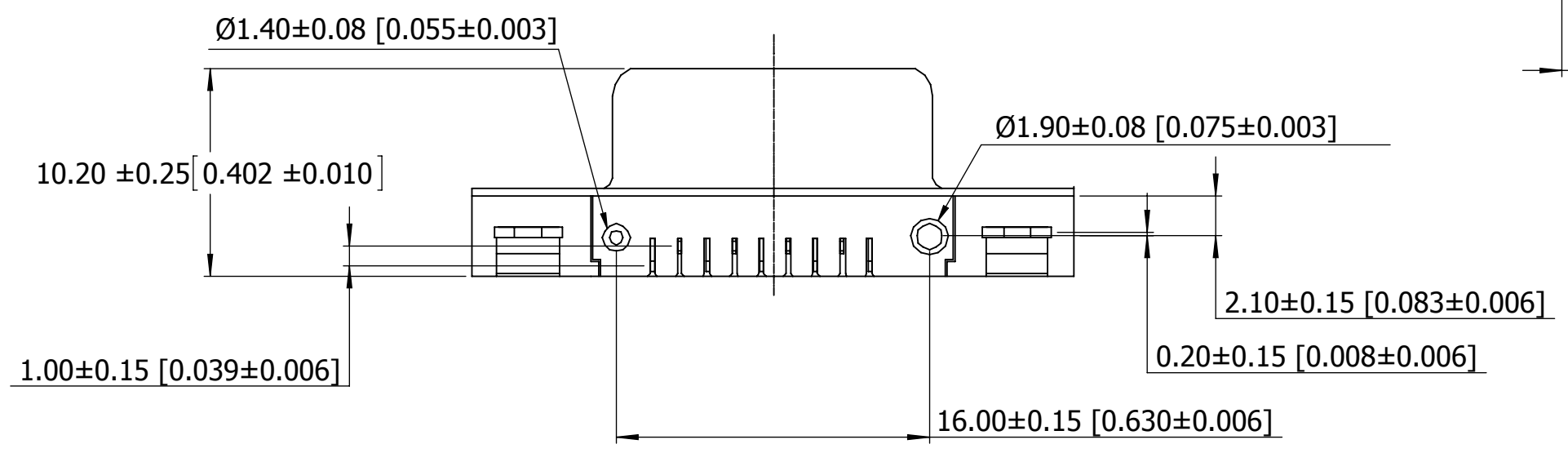
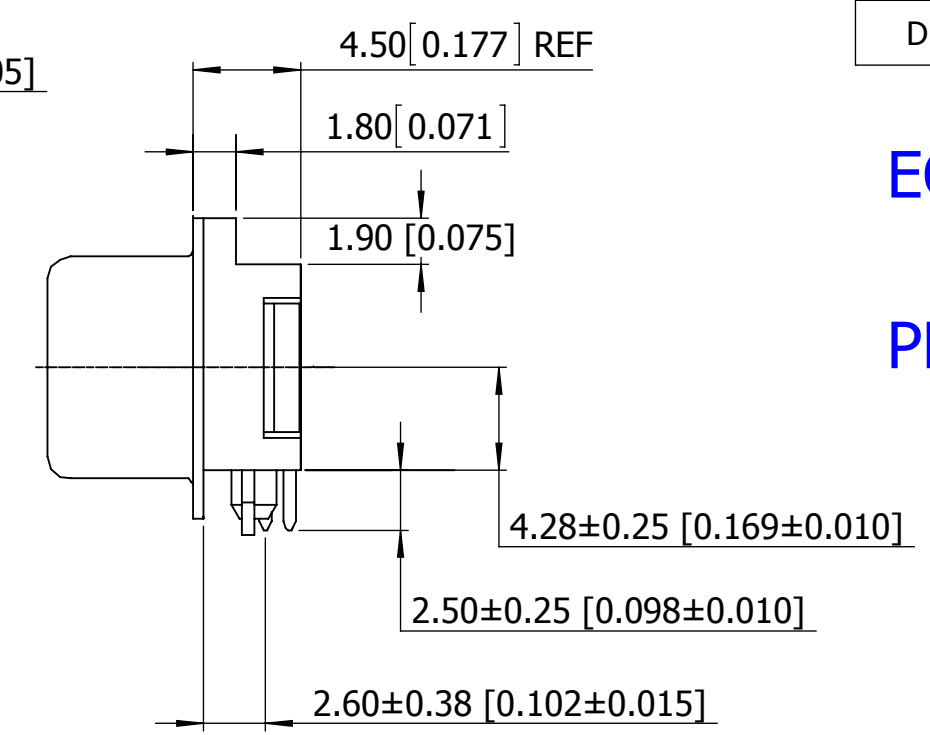
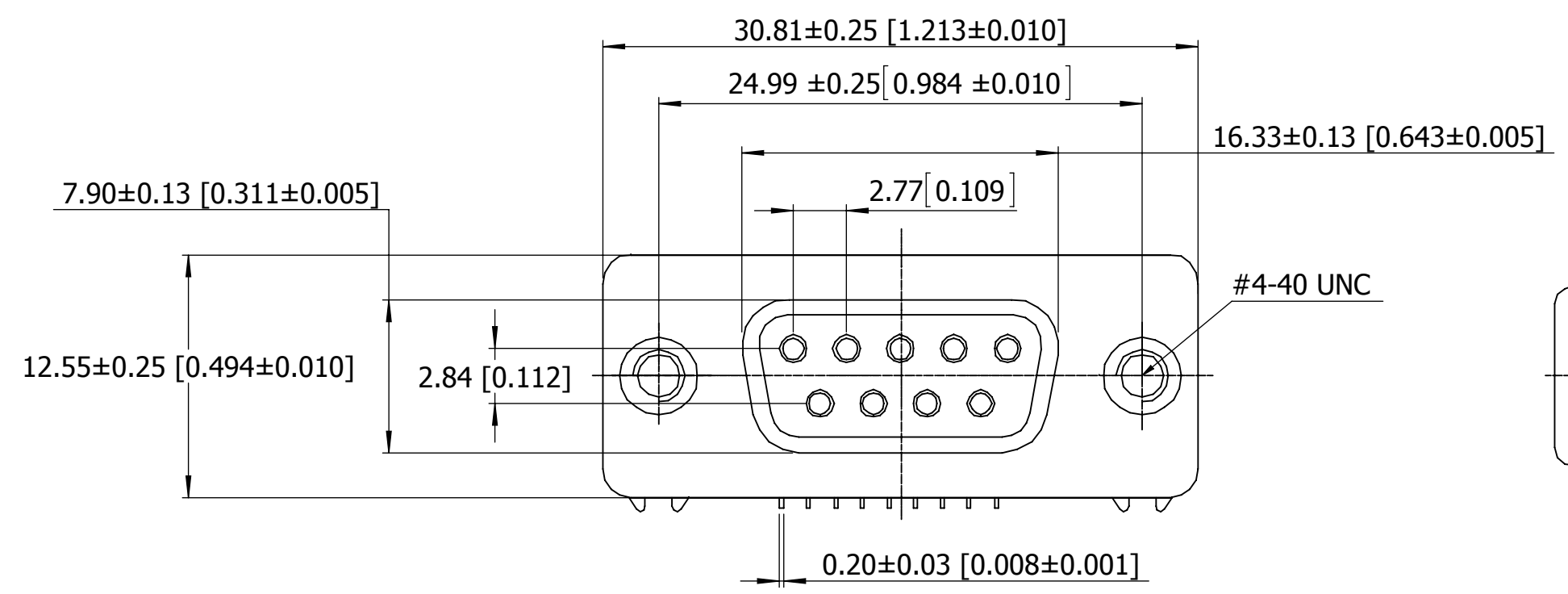


REVISIONS				
REV.	ECO. NO	DESCRIPTION	DATE	BY
B	2576	UPDATE PART NUMBER CODING	05/10/2012	LH
C	2616	REMOVE 'B' PLATING	06/14/2012	LH
D	2902	REMOVE 'U' AND 'C' PLATING	01/27/2014	LH

**ECO 2933 TO ADD 25-POSITION MALE & 'B' PLATING, JEN 3/11/2014**

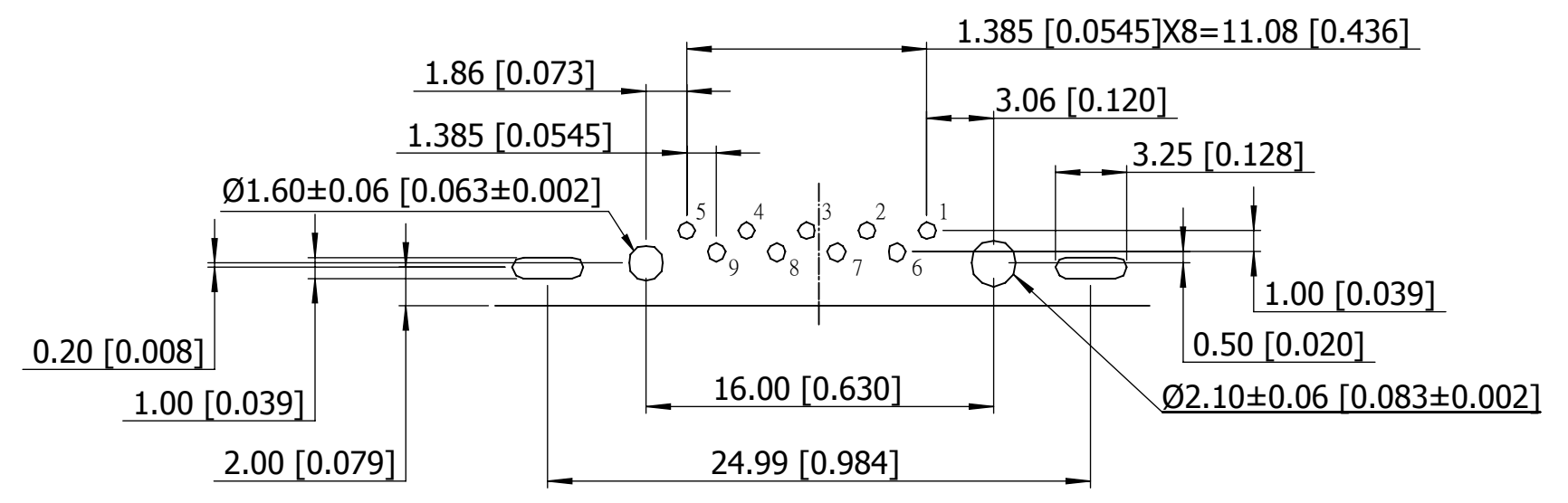
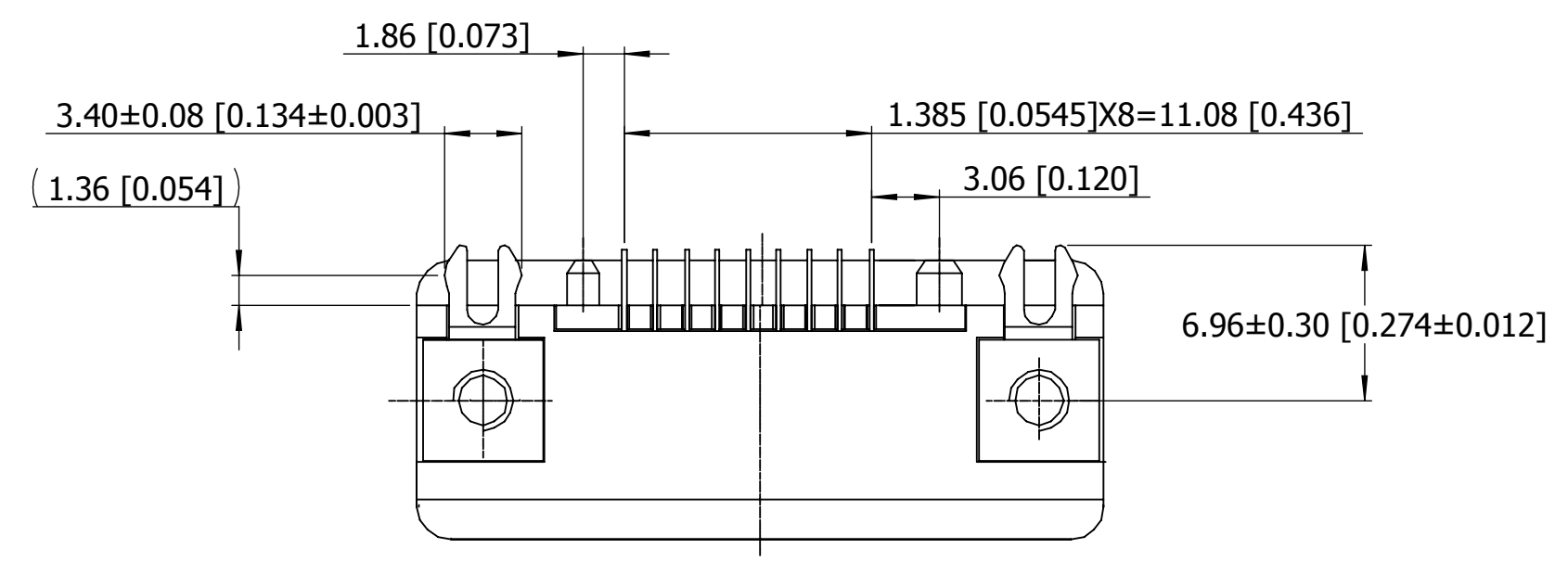


( PN EXAMPLE: SDS223-PRW2-F09-SN13-2 )

**NOTES:**

- MATERIAL**  
 INSULATOR : GLASS-FILLED THERMOPLASTIC PBT, UL94V-0  
 CONTACT: BRASS  
 SHELL : SPCC, .000100" TIN OVER .000050" MIN. COPPER (STANDARD, SEE PAGE 4)  
 CLINCH NUT : BRASS, NICKEL PLATED  
 BOARDLOCK : BRASS, TIN PLATED  
 SCREWLOCK : STEEL, NICKEL PLATED  
 OPERATING TEMPERATURE : -55°C TO +105°C

- ELECTRICAL**  
 CONTACT RESISTANCE : 20 MILLIOHMS MAX AT 1 AMP DC  
 INSULATION RESISTANCE : 1000 MAGOHMS AT 500 VDC  
 DIELECTRIC WITHSTANDING VOLTAGE : 1000 VAC/RMS 60Hz FOR 1 MINUTE  
 CURRENT RATING : 3 AMPS  
 VOLATGE RATING : 250 VAC/RMS 60Hz



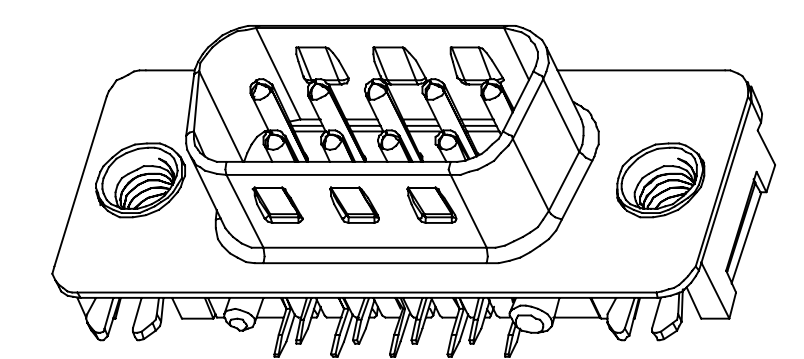
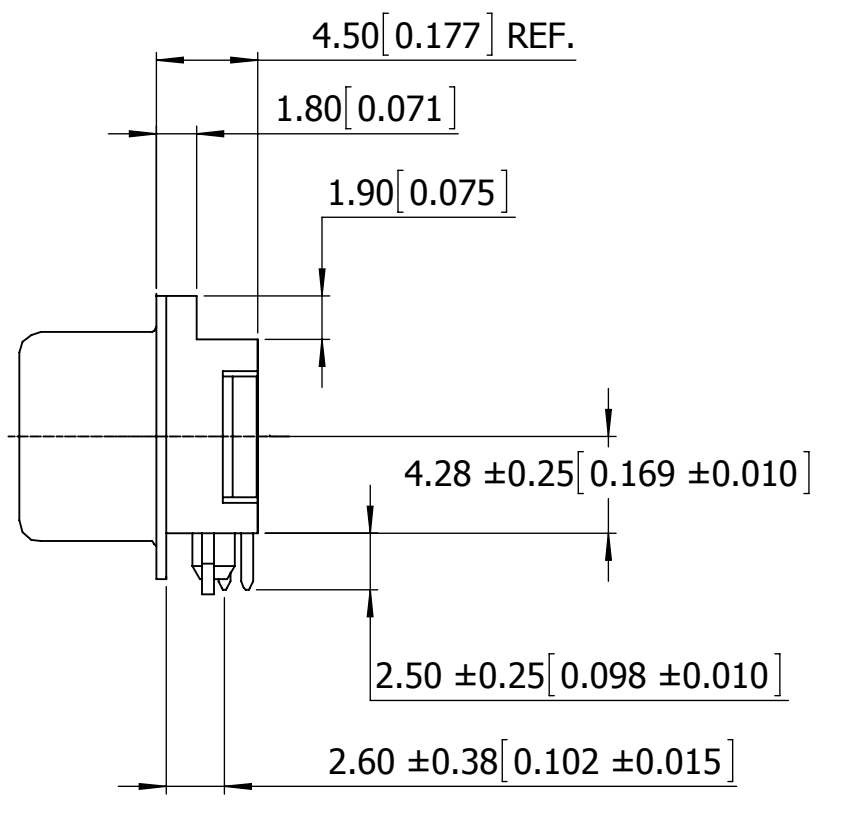
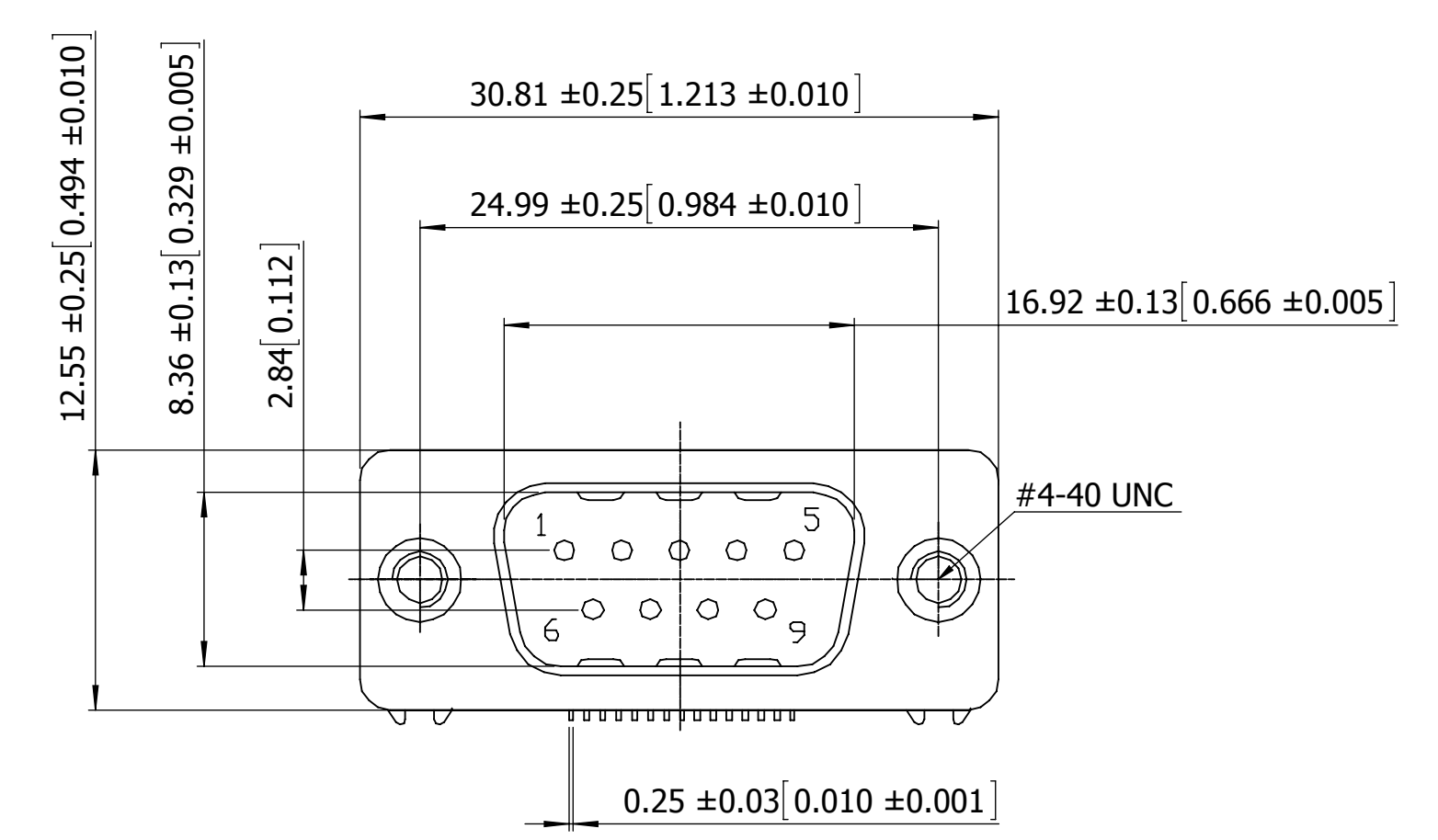
**RECOMMENDED PCB LAYOUT**



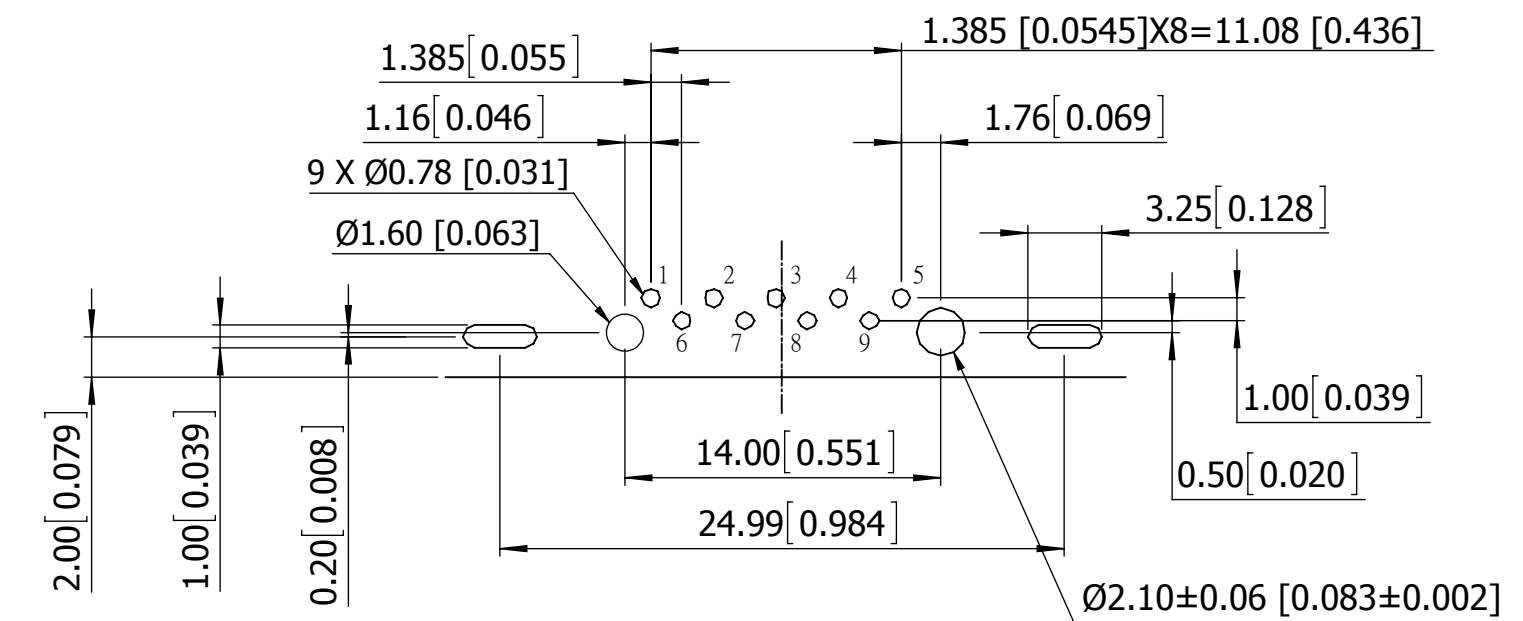
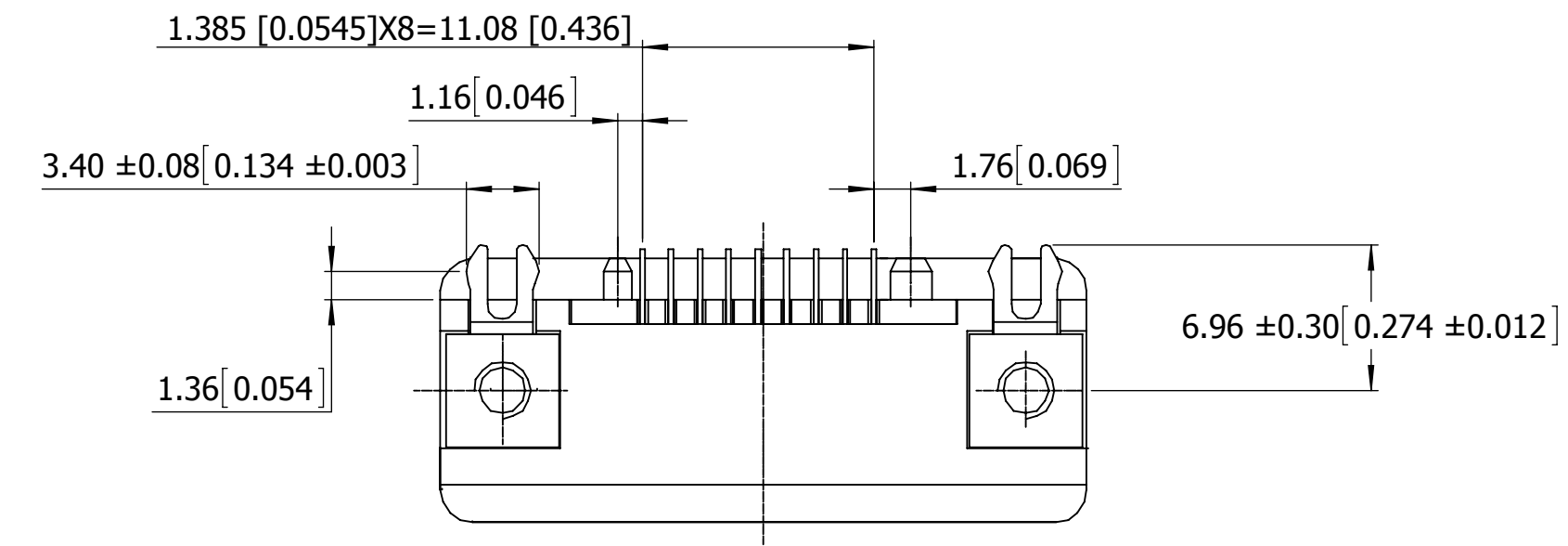
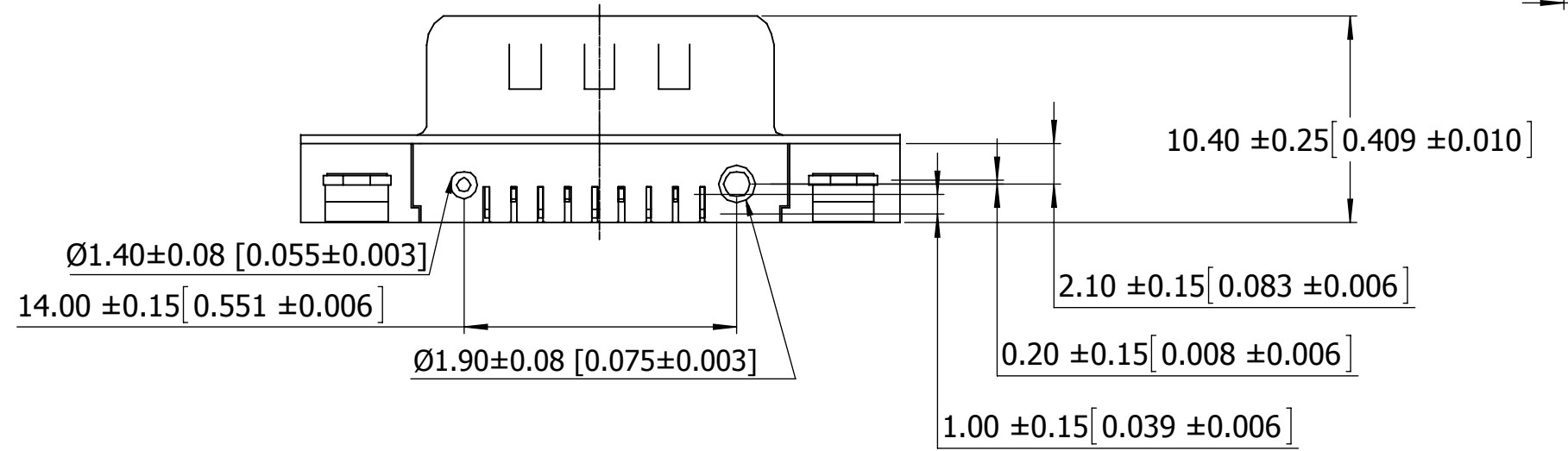
RoHS COMPLIANT

UNLESS OTHERWISE SPECIFIED: DIMENSIONS ARE IN MM [INCHES]		DRAWN	DATE	NAME	
TOLERANCES: ANGULAR: ± 3° DECIMALS X.= ± 0.38 [.015] X.= ± 0.25 [.010] .XX= ± 0.13 [.005]			07/01/2011	LH	
THE INFORMATION HEREIN CONTAINS PROPRIETARY INFORMATION OF SULLINS ELECTRONICS AND IS NOT TO BE REPRODUCED, USED OR DISCLOSED TO OTHERS FOR ANY PURPOSE EXCEPT AS SPECIFICALLY AUTHORIZED IN WRITING BY AN OFFICER OF SULLINS ELECTRONICS.					<b>TITLE</b> 223 SERIES D-SUB RIGHT ANGLE SLIM TYPE <b>PART NUMBER</b> SDS223-PRW - - -SN - -
SIZE	CAGE CODE	DWG. NO.	REV		
C	54453	11803	D		
SCALE: 1:8			SHEET 1 OF 4		

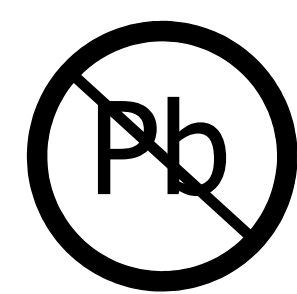




( PN EXAMPLE: SDS223-PRW2-M09-SN13-2 )



RECOMMENDED PCB LAYOUT



RoHS COMPLIANT

UNLESS OTHERWISE SPECIFIED:  
DIMENSIONS ARE IN MM [INCHES]

TOLERANCES:  
ANGULAR: ± 3°

DECIMALS  
X.= ± 0.38 [.015]  
X.= ± 0.25 [.010]  
.XX= ± 0.13 [.005]

DRAWN	DATE	NAME		
	07/01/2011	LH		
<small>THE INFORMATION HEREIN CONTAINS PROPRIETARY INFORMATION OF SULLINS ELECTRONICS AND IS NOT TO BE REPRODUCED, USED OR DISCLOSED TO OTHERS FOR ANY PURPOSE EXCEPT AS SPECIFICALLY AUTHORIZED IN WRITING BY AN OFFICER OF SULLINS ELECTRONICS.</small>			<b>TITLE</b> 223 SERIES D-SUB RIGHT ANGLE SLIM TYPE	
			<b>PART NUMBER</b> SDS223-PRW _ _ _ -SN _ _ _	
SIZE	CAGE CODE	DWG. NO.	REV	
C	54453	11803	D	
SCALE: 1:8			SHEET 3 OF 4	

# SDS223-PRW - - - -SN - - - -

a b c d e f g h i

**a. CONTACT PLATING**

( ALL PLATINGS HAVE .000050" NICKEL UNDERPLATE)  
 W = GOLD FLASH ON CONTACT SURFACE,  
 .000100" PURE TIN ON TERMINATION.

**b. SHELL PLATING**

1 = NICKEL  
 2 = TIN (STANDARD)

**c. CONTACT TYPE**

M = MALE  
 F = FEMALE

**d. NO. OF CONTACTS**

09 = 09 POSITIONS  
 25 = 25 POSITIONS (FEMALE ONLY)

**e. PIN TYPE**

S = STAMPED PIN

**f. FERRITE**

N = WITHOUT FERRITE

**g. FLANGE MOUNTING OPTION**

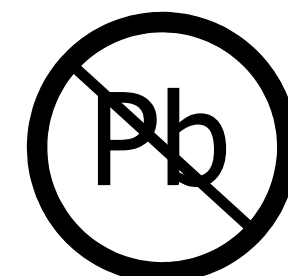
0 = Ø3.05mm [Ø0.120] CLEARANCE HOLE  
 1 = #4-40 FEMALE THREAD  
 2 = #4-40 UNC (4.8 X 11.8 mm [0.19 X 0.46]) FEMALE SCREWLOCK INSTALLED  
 3 = #4-40 UNC (4.8 X 11.8 mm [0.19 X 0.46]) FEMALE SCREWLOCK BULK-PACKED

**h. RIVET OPTIONS**

0 = NONE  
 3 = GROUNDING HOOK BOARDLOCK+2 PRONG

**i. INSULATOR COLOR**

1 = BLACK  
 2 = BLUE (STANDARD)



RoHS COMPLIANT

UNLESS OTHERWISE SPECIFIED: DIMENSIONS ARE IN MM [INCHES]		DRAWN	DATE	NAME		
			07/01/2011	LH		
TOLERANCES: ANGULAR: ± 3°  DECIMALS X.= ± 0.38 [.015] X.= ± 0.25 [.010] .XX= ± 0.13 [.005]		THE INFORMATION HEREIN CONTAINS PROPRIETARY INFORMATION OF SULLINS ELECTRONICS AND IS NOT TO BE REPRODUCED, USED OR DISCLOSED TO OTHERS FOR ANY PURPOSE EXCEPT AS SPECIFICALLY AUTHORIZED IN WRITING BY AN OFFICER OF SULLINS ELECTRONICS.			TITLE <b>223 SERIES D-SUB RIGHT ANGLE SLIM TYPE</b>	
		PART NUMBER <b>SDS223-PRW - - - -SN - - - -</b>			SIZE	CAGE CODE
				SCALE: 1:8	REV <b>D</b>	
				SHEET 4 OF 4		