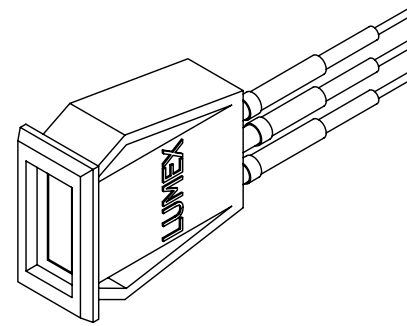
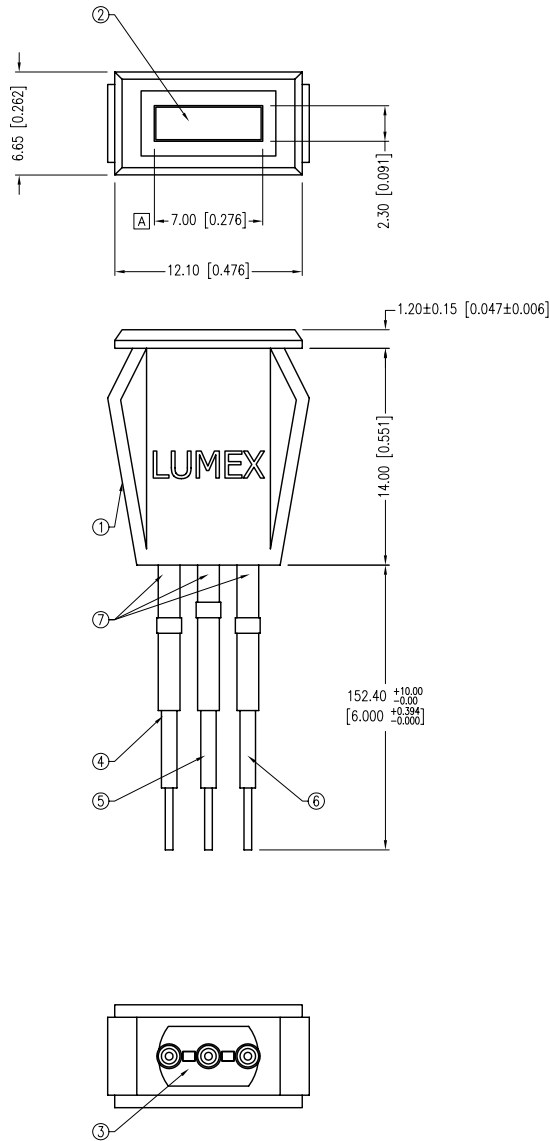


PART NUMBER	SSI-LXH072IGW3-150	REV.	A
DATE	E.C.N. NUMBER AND REVISION COMMENTS		REV.
04.08.11	E.C.N. #10BRDR. & REDRAWN/11686.		A



ELECTRO-OPTICAL CHARACTERISTICS $T_A=25^\circ\text{C}$ $I_f=20\text{mA}$					
PARAMETER	MIN	TYP	MAX	UNITS	TEST COND
PEAK WAVELENGTH (R/G)		635/565		nm	
FORWARD VOLTAGE (R/G)		2.0/2.2	2.5/2.6	$V_f$	
REVERSE VOLTAGE	5.0			$V_r$	$I_f=100\mu\text{A}$
AXIAL INTENSITY (R/G)		10/9		mcd	$I_f=20\text{mA}$
VIEWING ANGLE		110		$2x$ theta	
EMITTED COLOR:	RED/GREEN				
EPOXY LENS FINISH:	MILKY WHITE DIFFUSED				

LIMITS OF SAFE OPERATION AT 25°C		
PARAMETER	MAX	UNITS
PEAK FORWARD CURRENT*	150	mA
STEADY CURRENT (R/G)	30/25	mA
POWER DISSIPATION (R/G)	120/105	mW
DERATE FROM 25°C	-1.2	mW/°C
OPERATING TEMP.	-40 TO +85	°C
STORAGE TEMP.	-40 TO +85	°C
SOLDERING TEMP.	+260	°C
2.0mm FROM BODY	3	SEC. MAX

\*  $t < 10\mu\text{s}$

NOTES:

- SSH-LXH072 HOLDER, BLACK.
- SSL-LX25789IGW LED, RED/GREEN BICOLOR.
- SECURE LED TO HOLDER WITH GLUE.
- RED ANODE LEAD: LXP-WST24RDT0C, TINNED OVERCOAT 24 AWG. WIRE, CUT RED ISULATION 140mm LONG, STRIP 3mm & 9.5mm.
- COMMON CATHODE LEAD: LXP-WST24BLT0C, TINNED OVERCOAT 24 AWG. WIRE, CUT BLACK ISULATION 140mm LONG, STRIP 3mm & 9.5mm.
- GREEN ANODE LEAD: LXP-WST24GRT0C, TINNED OVERCOAT 24 AWG. WIRE, CUT GREEN ISULATION 140mm LONG, STRIP 3mm & 9.5mm.
- HEATSHRINK TUBING, LXP-HEATSHRINK-2, LENGTH 1.5" TYP. (3 PCS.)
- PANEL CUT OUT SIZE: 5.3mm x 11.0mm.

\*UNLESS OTHERWISE SPECIFIED TOLERANCES PER DECIMAL PRECISION ARE: X=±1 (±0.039), X.X=±0.5 (±0.020), X.XX=±0.25 (±0.010), X.XXX=±0.127 (±0.005). LEAD SIZE=±0.05 (±0.002), LEAD LENGTH=±0.75 (±0.030). MIN= +DECIMAL PRECISION MAX.= +0.00/-0.00 DECIMAL PRECISION

**LUMEX**  
 Creating LED and LCD Solutions Together™  
 290 E. HELEN ROAD  
 PALATINE, IL 60067-6976  
 PHONE: +1.847.359.2790  
 FAX: +1.847.359.6538  
 WEB: WWW.LUMEX.COM

2.3x7mm RECTANGULAR PANEL INDICATOR, 635nm/565nm BICOLOR, 3 LEADED, MILKY WHITE, 6" WIRE LEADS.

\*\*THE SPECIFICATIONS MAY CHANGE AT ANY TIME WITHOUT NOTICE DUE TO NEW MATERIALS OR PRODUCT IMPROVEMENT.\*\*

CONFIDENTIAL INFORMATION  
 THE INFORMATION CONTAINED IN THIS DOCUMENT IS THE PROPERTY OF LUMEX INC. EXCEPT AS SPECIFICALLY AUTHORIZED IN WRITING BY LUMEX INC., THE HOLDER OF THIS DOCUMENT SHALL KEEP ALL INFORMATION CONTAINED HEREIN CONFIDENTIAL AND SHALL PROTECT SAME IN WHOLE OR IN PART FROM DISCLOSURE AND DISSEMINATION TO ALL THIRD PARTIES.

DATE:	04.08.11	DRAWN BY:	AB
PAGE:	1 OF 1	CHKD BY:	KF
SCALE:	NTS	APRVD BY:	SS
UNIT:	mm [INCH]		Ⓟ