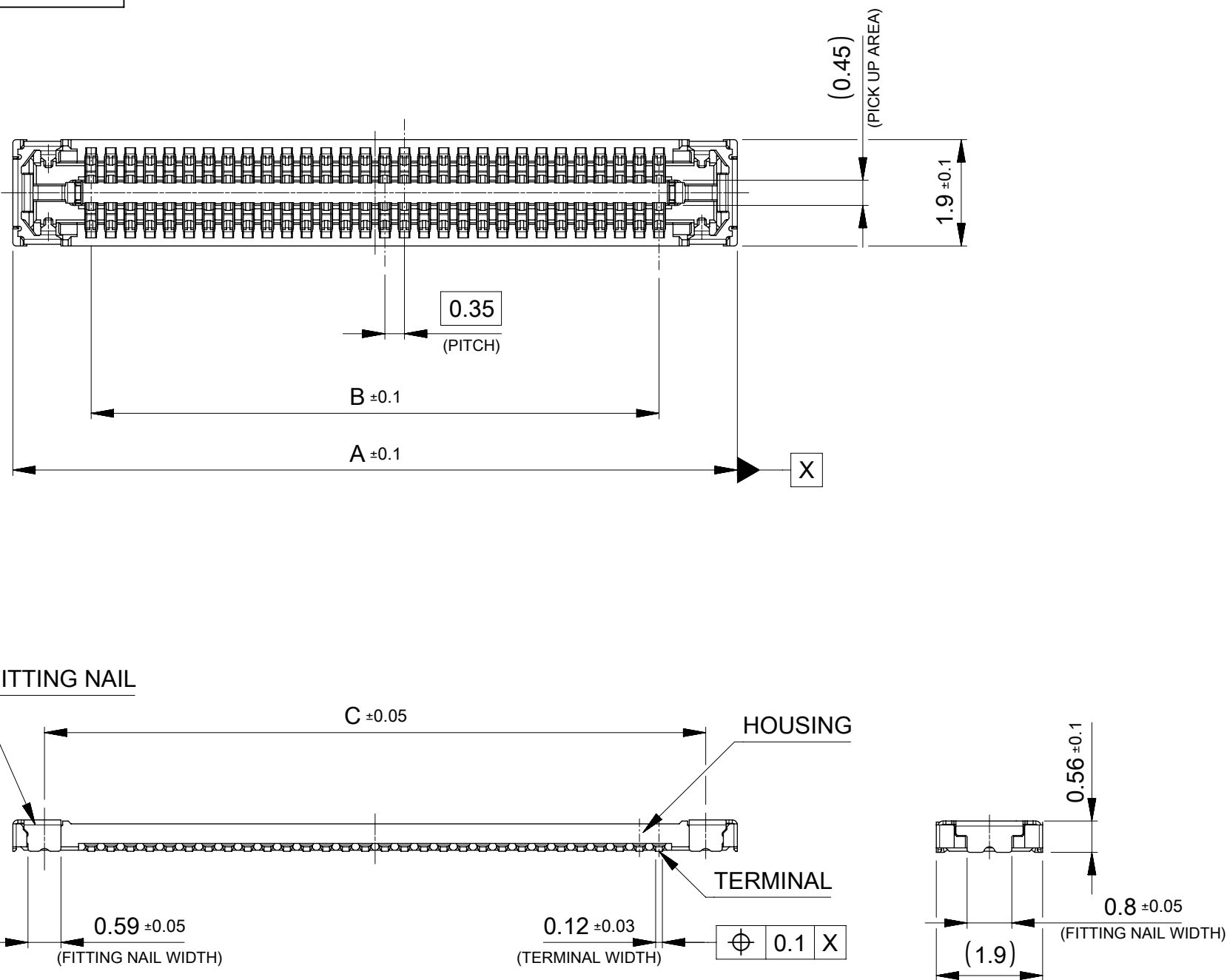


GENERAL DRAWING



NOTES

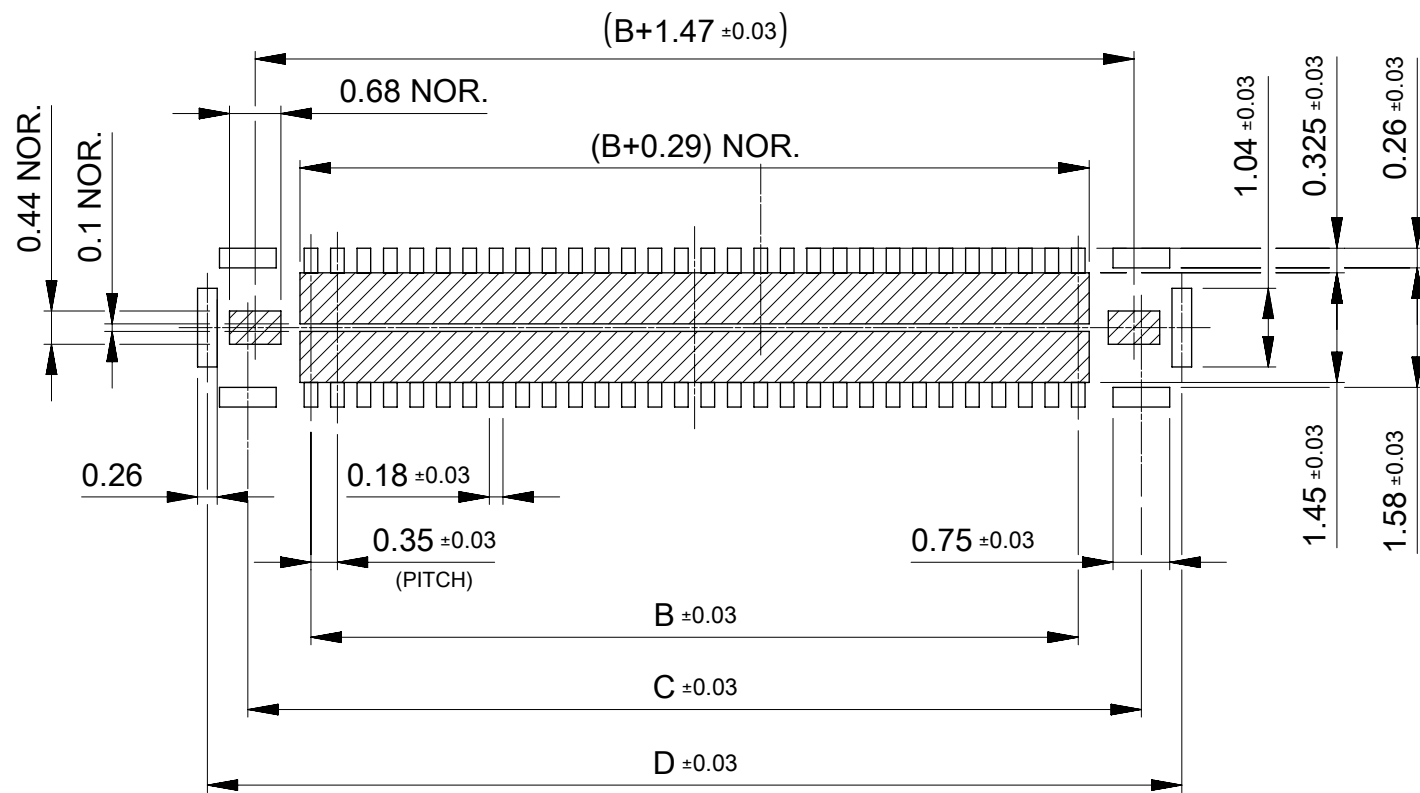
- MATERIAL**
 HOUSING : LIQUID CRYSTAL POLIMER UL94V-0 (COLOR : BLACK)
 TERMINAL : COPPER ALLOY
 FITTING NAIL : COPPER ALLOY
- PLATING**
TERMINAL :
 CONTACT AREA : GOLD PLATING(0.1µm MINIMUM)
 SOLDER TAIL AREA : GOLD PLATING(0.05µm MINIMUM)
 UNDER PLATING : NICKEL OVERALL(1.0µm MINIMUM)
 * DIVIED INTO PARTS THE GOLD PLATING OF THE CONTACT AND THE TAIL PART BY THE NICKEL PLATING.

FITTING NAIL :
 CONTACT AREA : GOLD PLATING(0.1µm MINIMUM)
 SOLDER TAIL AREA : GOLD PLATING(0.05µm MINIMUM)
 UNDER PLATING : NICKEL OVERALL(1.0µm MINIMUM)
 * DIVIED INTO PARTS THE GOLD PLATING OF THE CONTACT AND THE TAIL PART BY THE NICKEL PLATING.
- MATE WITH : 216701******
- COPLANARITY : SHALL BE 0.08MAX. ON BOTH OF TERMINAL AND NAIL. AND 0.1 MAX AFTER REFLOW**
- PROHIBITED AREA OF PATTERN WIRING AND SOLDER.**
 (FOR EACH AREA, THE WIRING THAT TOUCHES ON THE SOLDER CAN BE ATTACHED, THEN COVERED WITH A FILM TO KEEP SOLDER OUT)


12.89	11.82	10.15	12.95	2167000609	---	O	60
11.84	10.77	9.10	11.90	2167000549	O	---	54
11.14	10.07	8.40	11.20	2167000509	O	---	50
9.39	8.32	6.65	9.45	2167000409	O	---	40
7.64	6.57	4.90	7.70	2167000309	---	O	30
6.59	5.52	3.85	6.65	2167000249	---	O	24
5.89	4.82	3.15	5.95	2167000209	O	---	20
4.14	3.07	1.40	4.20	2167000109	---	O	10

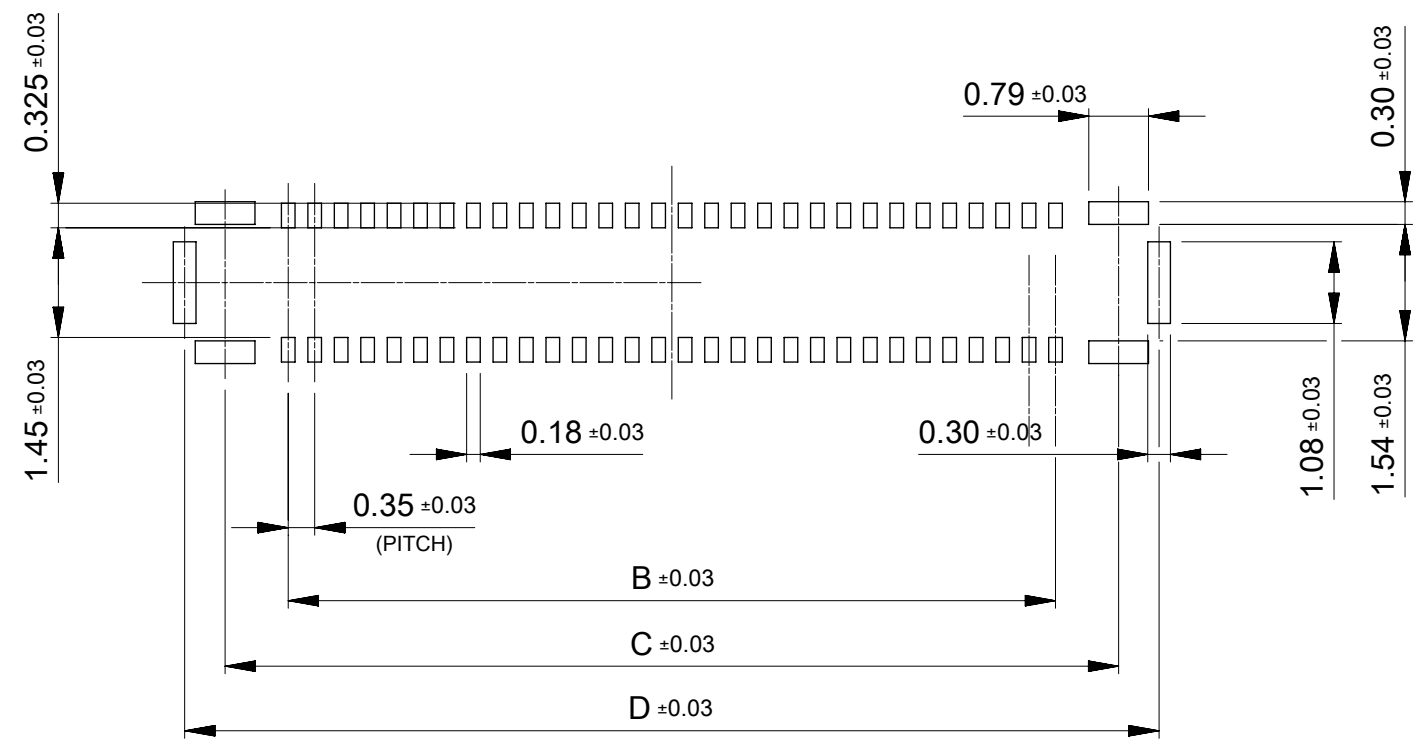
D	C	B	A	EMBOSSSED TAPE PACKAGE	HIGH VOL. TOOL	LOW VOL. TOOL	Ckts
				SAMPLE PREPARATION			
ORDER No.				O : TOOLED □ : WORK PROCESS --- : TOOLING TO BE CONFIRMED			
CONNECTOR SERIES No. : 216700****							

FUNCTIONAL SYMBOLS	THIS DRAWING CONTAINS INFORMATION THAT IS PROPRIETARY TO MOLEX ELECTRONIC TECHNOLOGIES, LLC AND SHOULD NOT BE USED WITHOUT WRITTEN PERMISSION		CURRENT REV DESC:		molex	
	▽A = 0	mm	SCALE 10:1			
▽E = 0	GENERAL TOLERANCES (UNLESS SPECIFIED)				0.35 BB H=0.6 ACB6 PLUS REC ASSY	
▽F = 0	ANGULAR TOL ± 1.0°					
DIVISIONAL SYMBOLS	4 PLACES	± 0.05	EC NO: 746141		PRODUCT CUSTOMER DRAWING	
	3 PLACES	± 0.05	DRWN: DWLEE02	2023/04/14		
	2 PLACES	± 0.05	CHK'D: JHCHANG	2023/04/14		
	1 PLACE	± 0.1	APPR: JBJIN	2023/04/17		
	0 PLACES	± 0.2	INITIAL REVISION:			
DRAFT WHERE APPLICABLE MUST REMAIN WITHIN DIMENSIONS			DRWN: JHCHANG	2023/04/13	DOCUMENT NUMBER 2167000000-SD	
THIRD ANGLE PROJECTION		APPR: JBJIN	2023/04/17	DOC TYPE PSD		
DRAWING		SERIES	MATERIAL NUMBER	CUSTOMER	DOC PART	REVISION
A3-SIZE		216700	SEE SHEET 1	GENERAL	002	A
					SHEET NUMBER	
					1 OF 2	




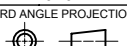
RECOMMENDED P.C.BOARD PATTERN LAYOUT
(FOR REFERENCE)

 SOLDER PROHIBITED AREA.
WHEN WIRING IS LOCATED,
THE WIRING MUST BE MASKED BY COVER LAY OR RESIST FILM.

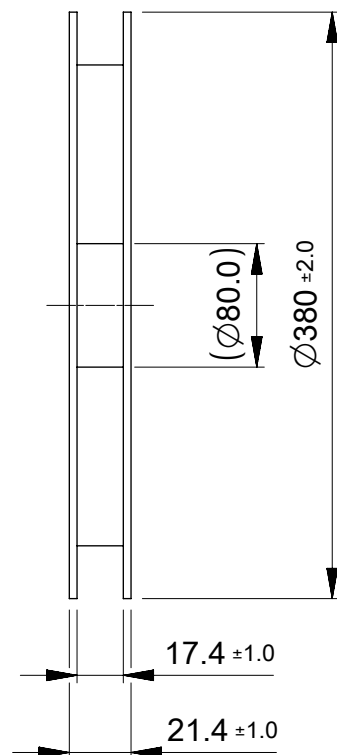
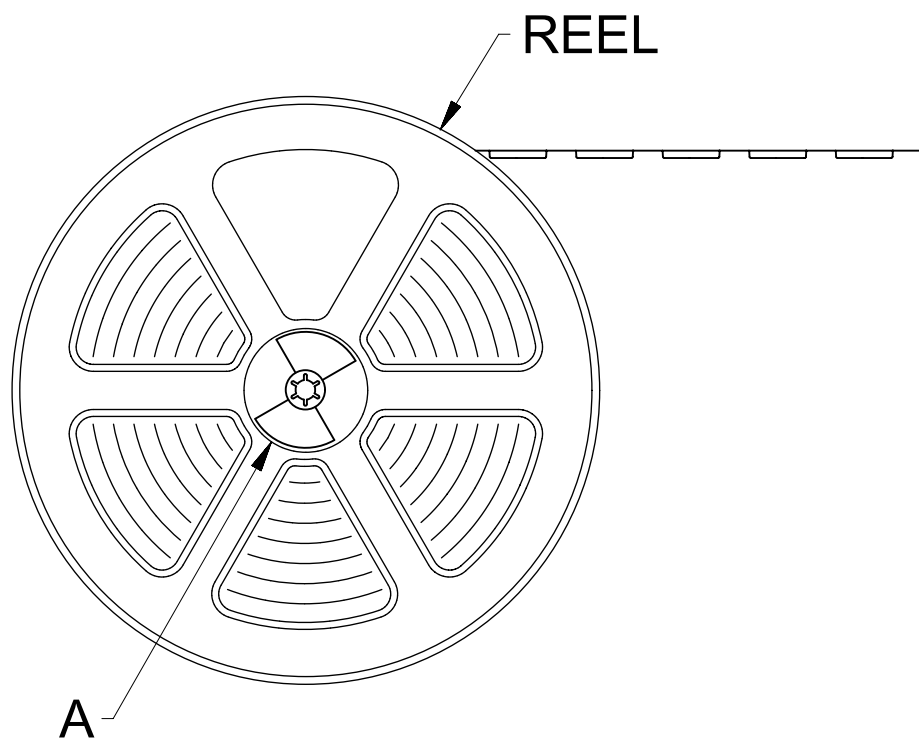


RECOMMENDED METAL MASK LAYOUT
(FOR REFERENCE)

RECOMMENDED THICKNESS : 0.08mm
RECOMMENDED APERTURE DIMENSION IS JUST SAME AS SHOWN FIGURE ABOVE.
FOR THIS DIMENSION, APERTURE RATIO ARE SIGNAL TERMINAL 100% AND
FITTING NAIL ALL 120%.

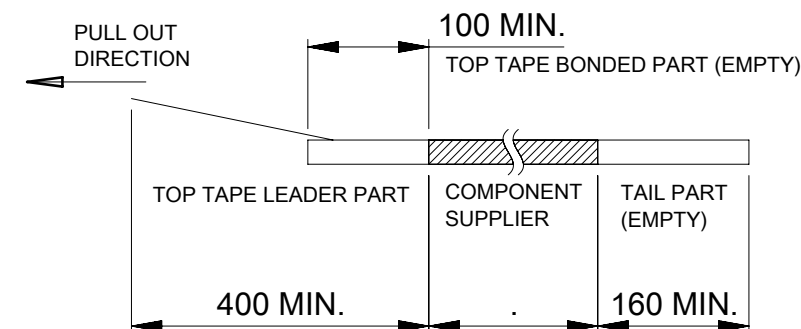
FUNCTIONAL SYMBOLS $\nabla_A = 0$ $\nabla_E = 0$ $\nabla_V = 0$ DIVISIONAL SYMBOLS	THIS DRAWING CONTAINS INFORMATION THAT IS PROPRIETARY TO MOLEX ELECTRONIC TECHNOLOGIES, LLC AND SHOULD NOT BE USED WITHOUT WRITTEN PERMISSION		CURRENT REV DESC:			 0.35 BB H=0.6 ACB6 PLUS REC ASSY			
	mm	10:1	GENERAL TOLERANCES (UNLESS SPECIFIED)						
	ANGULAR TOL ± 1.0°		4 PLACES ± 0.05	EC NO: 746141	DRWN: DWLEE02	2023/04/14	PRODUCT CUSTOMER DRAWING		
	3 PLACES ± 0.05		2 PLACES ± 0.05	CHK'D: JHCHANG	APPR: JBJIN	2023/04/17	DOCUMENT NUMBER		
1 PLACE ± 0.1		0 PLACES ± 0.2	INITIAL REVISION:			DOC TYPE DOC PART REVISION			
DRAFT WHERE APPLICABLE MUST REMAIN WITHIN DIMENSIONS		THIRD ANGLE PROJECTION	DRAWING	SERIES	MATERIAL NUMBER	CUSTOMER	SHEET NUMBER		
			A3-SIZE	216700	SEE SHEET1	GENERAL	2 OF 2		

⇒ PULL OUT DIRECTION

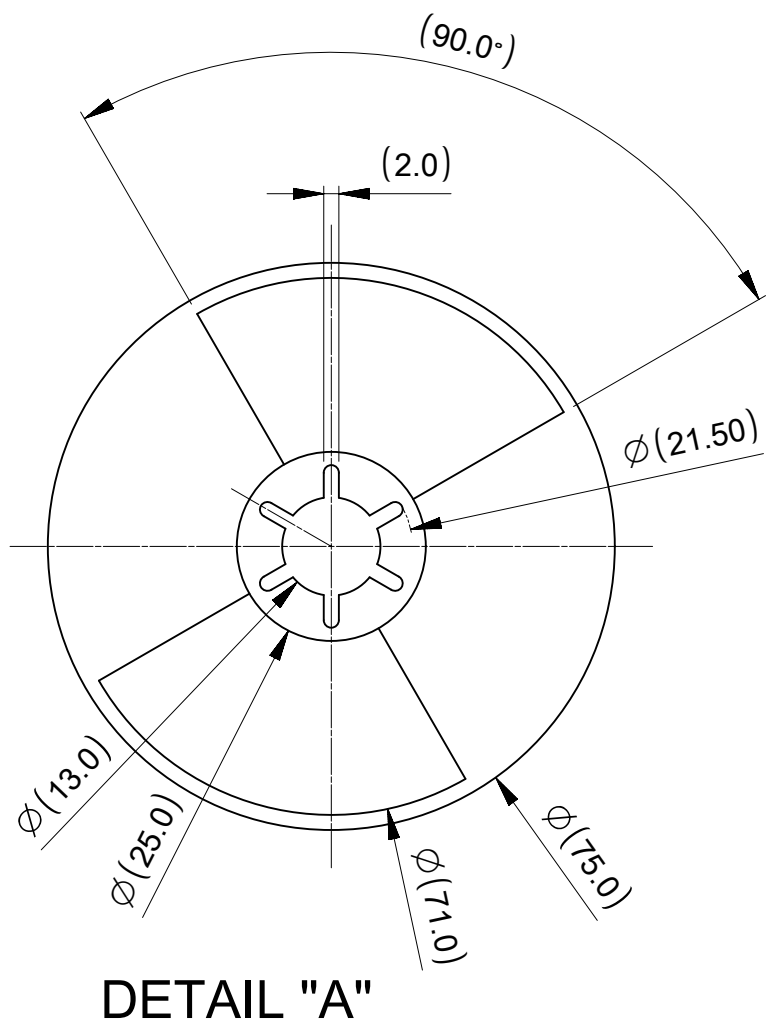


NOTES

1. RE DETAILED DIMENSION, SEE PRODUCT DRAWING.
2. NUMBER OF CONNECTORS : 20,000PCS/REEL
3. LEAD TAPE LENGTH :



4. PEEL OFF FORCE OF THE TOP TAPE IS DEFINDED BY IEC 60286-3.
5. MATERIAL
 - CARRIER TAPE : POLYSTYRENE OR PET
 - TOP TAPE : PET, OTHER
 - REEL : POLYSTYRENE(PS) [RECYCLE MATERIAL CONTAINED]



FUNCTIONAL SYMBOLS	THIS DRAWING CONTAINS INFORMATION THAT IS PROPRIETARY TO MOLEX ELECTRONIC TECHNOLOGIES, LLC AND SHOULD NOT BE USED WITHOUT WRITTEN PERMISSION		CURRENT REV DESC:		molex		
	$\nabla_A = 0$	mm	SCALE 1:1				
$\nabla_E = 0$	GENERAL TOLERANCES (UNLESS SPECIFIED)				0.35 BB H=0.6 ACB6 PLUS REC ASSY PKG		
$\nabla_F = 0$	ANGULAR TOL $\pm 1.0^\circ$						
DIVISIONAL SYMBOLS	4 PLACES	± 0.05	EC NO: 746141	2023/04/14	PRODUCT CUSTOMER DRAWING		
	3 PLACES	± 0.05	DRWN: DWLEE02	2023/04/14			
	2 PLACES	± 0.05	CHK'D: JHCHANG	2023/04/17			
	1 PLACE	± 0.1	APPR: JBJIN	2023/04/17			
	0 PLACES	± 0.2	INITIAL REVISION:				
DRAFT WHERE APPLICABLE MUST REMAIN WITHIN DIMENSIONS		THIRD ANGLE PROJECTION	DRAWING	SERIES	MATERIAL NUMBER	CUSTOMER	SHEET NUMBER
			A3-SIZE	216700	SEE SHEET2	GENERAL	1 OF 2

PULL OUT DIRECTION →

EMBOSS CARRIER TAPE

TOP TAPE

H ±0.10

0.30 ±0.05

(0.73)

(1.13)

SECTION A-A

0.73 ±0.05

2.10 ±0.05

SECTION C-C

∅ 1.55 ±0.05

4.00 ±0.10

2.00 ±0.10

1.75 ±0.10

G ±0.10

J ±0.10

13.08	11.50	24.00	2167000609	---	O	60
12.03			2167000549	O	---	54
11.33			2167000509	O	---	50
9.58	9.25	16.00	2167000409	O	---	40
7.83			2167000309	---	O	30
6.78			2167000249	---	O	24
6.08			2167000209	O	---	20
4.33			2167000109	---	O	10
H	J	G	EMBOSSED TAPE PACKAGE	HIGH VOL. TOOL	LOW VOL. TOOL	Ckts
			ORDER No.	SAMPLE PREPARATION		
				O : TOOLED □ : WORK PROCESS --- : TOOLING TO BE CONFIRMED		
CONNECTOR SERIES No. : 216700****						

FUNCTIONAL SYMBOLS	THIS DRAWING CONTAINS INFORMATION THAT IS PROPRIETARY TO MOLEX ELECTRONIC TECHNOLOGIES, LLC AND SHOULD NOT BE USED WITHOUT WRITTEN PERMISSION	
∇ _A = 0	DIMENSION UNITS: mm	SCALE: 5:1
∇ _E = 0	CURRENT REV DESC:	
∇ _F = 0	GENERAL TOLERANCES (UNLESS SPECIFIED)	
	ANGULAR TOL ± 1.0°	
DIVISIONAL SYMBOLS	4 PLACES ± 0.05	EC NO: 746141
	3 PLACES ± 0.05	DRWN: DWLEE02
	2 PLACES ± 0.05	CHK'D: JHCHANG
	1 PLACE ± 0.1	APPR: JBJIN
	0 PLACES ± 0.2	INITIAL REVISION:
		DRWN: JHCHANG
		APPR: JBJIN
	DRAFT WHERE APPLICABLE MUST REMAIN WITHIN DIMENSIONS	THIRD ANGLE PROJECTION
		DRAWING: A3-SIZE
		SERIES: 216700
		MATERIAL NUMBER: SEE SHEET2
		CUSTOMER: GENERAL
		SHEET NUMBER: 2 OF 2

molex

0.35 BB H=0.6 ACB6 PLUS REC ASSY PKG

PRODUCT CUSTOMER DRAWING

DOCUMENT NUMBER: 2167000001-SD
DOC TYPE: PSD
DOC PART: 001
REVISION: A