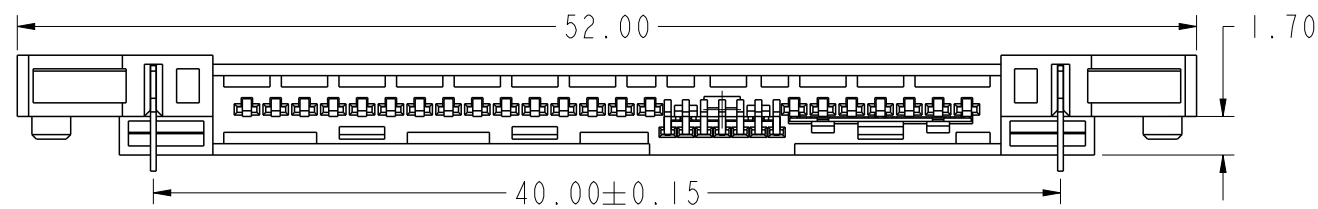
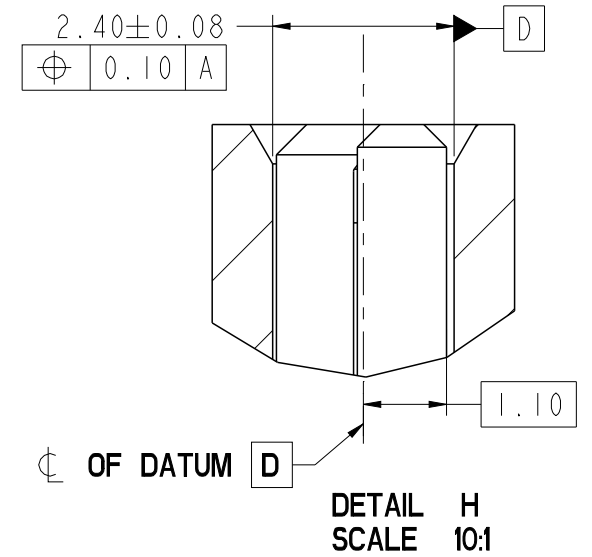
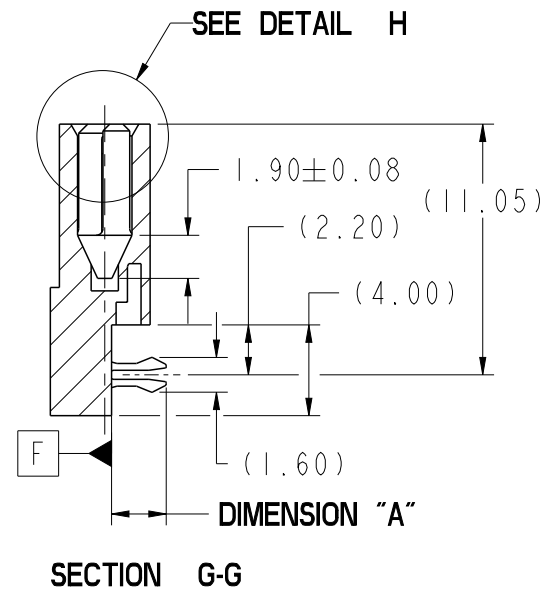
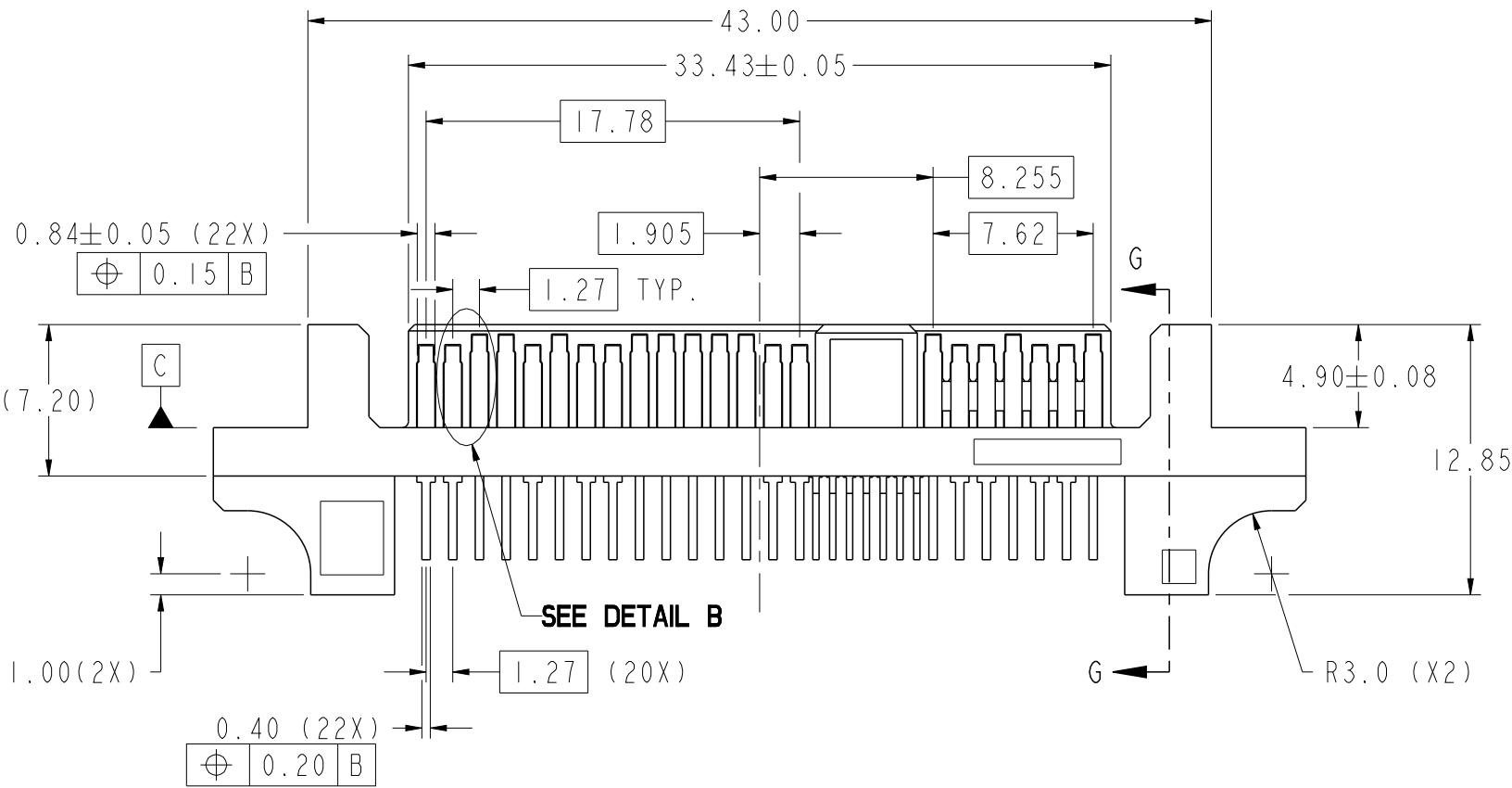
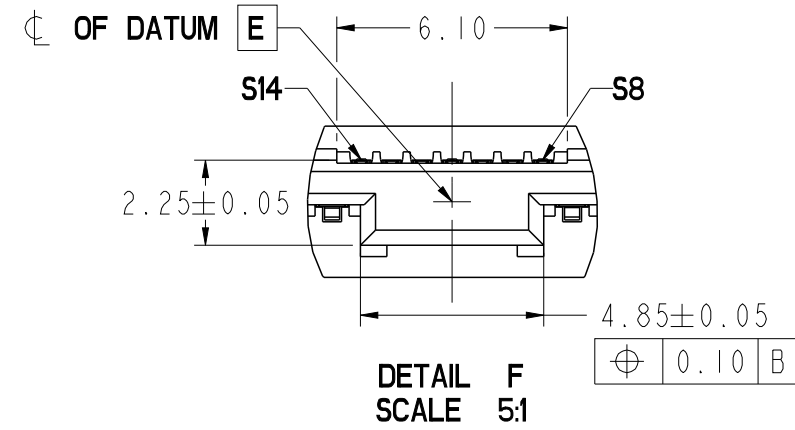
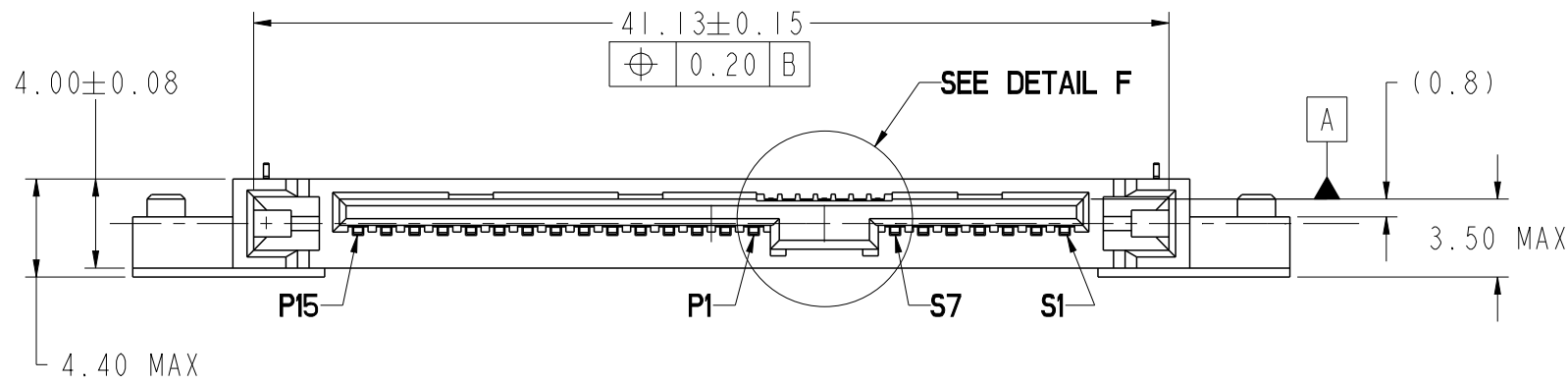
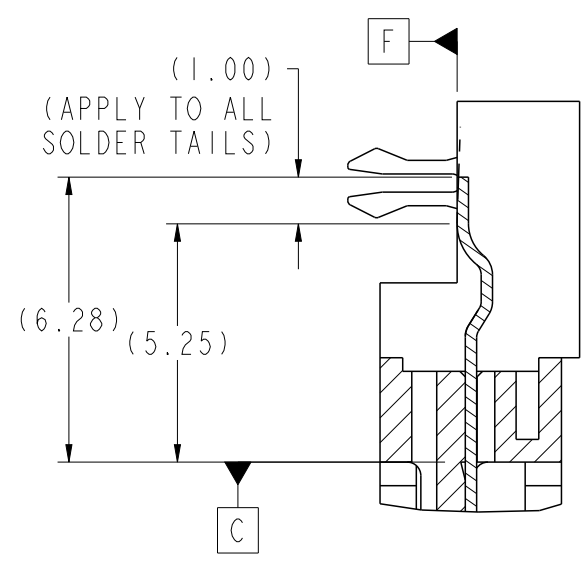
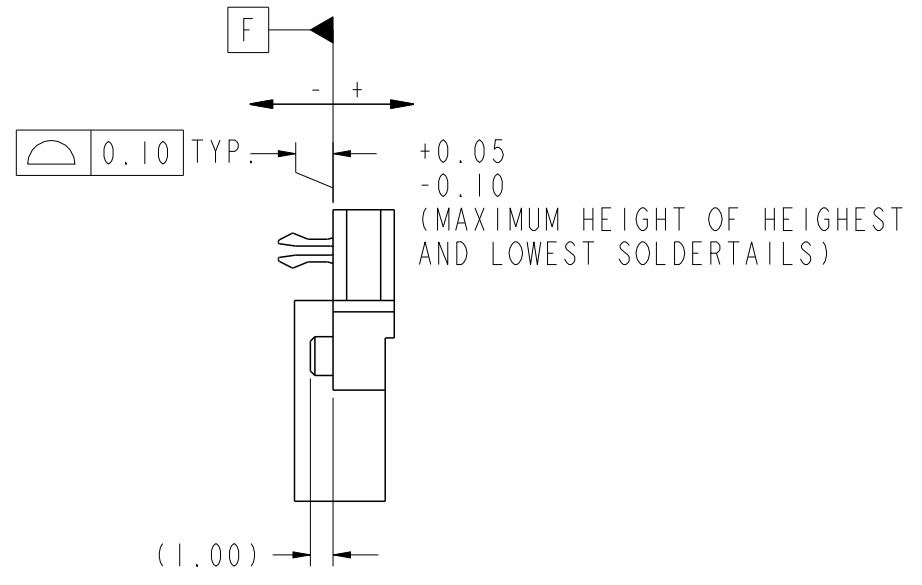
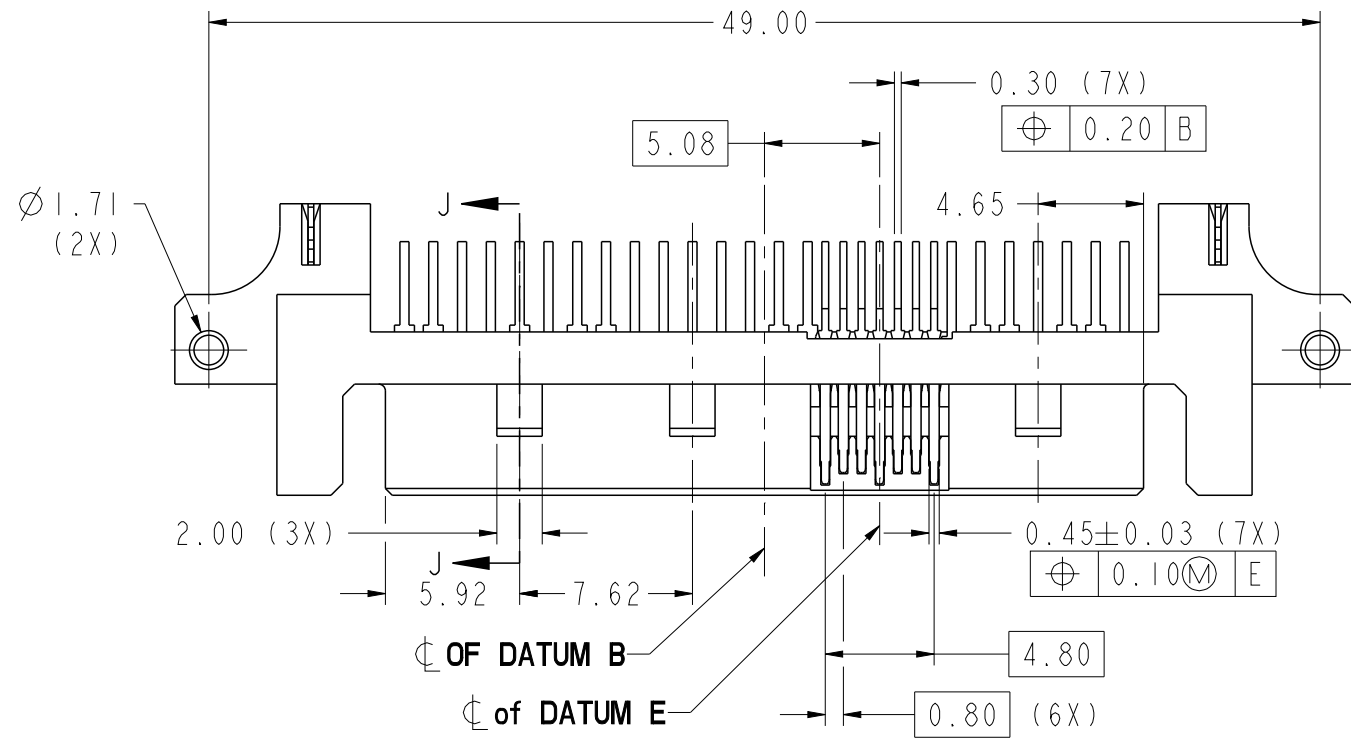


PRODUCT NUMBER
REFER TO TABLE

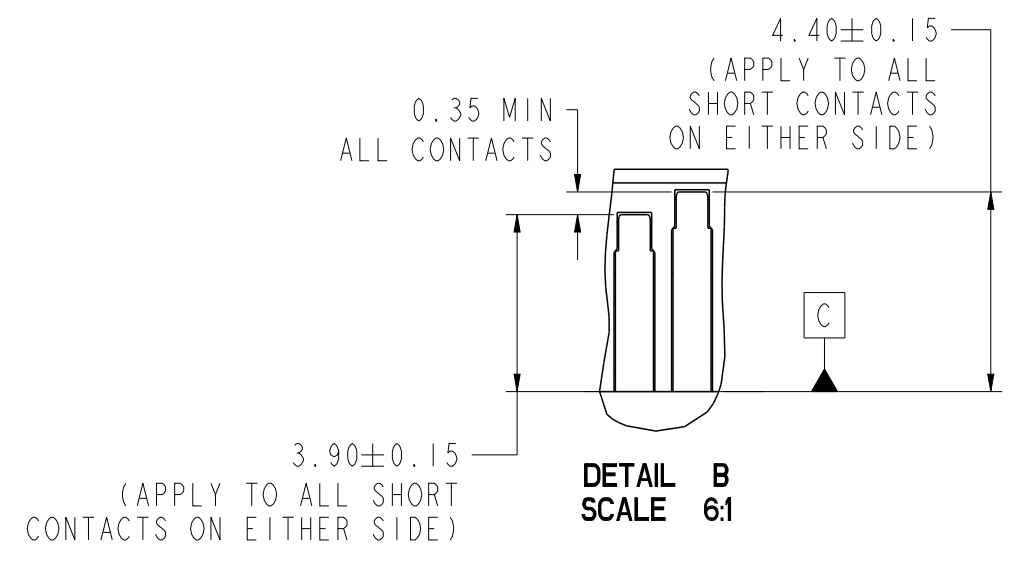


spec ref	dr	Suzie Nah	2015/01/26	projection	MM	size	A3	scale	3:1
tolerance std	eng	Siew-Leong Lim	2016/07/19			ecn no	ELX-M-24521-1	rel level	Released
ASME Y14.5	chr	Kok-Ong Tee	2016/07/20						
TOLERANCES UNLESS OTHERWISE SPECIFIED	appr	Koon-Poh Tay	2016/07/26	product family			rel level	Released	
surface	linear	0.X	±0.25	Amphenol FCI 12G SAS PLUG R/A SMT TYPE ASSY			dwg no	10129900	rev
		0.XX	±0.15						
		0.XXX	±0.050						
ASME Y14.5	angular	0°	±2°	cat. no.			Product - Customer Drw		sheet 1 of 4

PRODUCT NUMBER
REFER TO TABLE



SECTION J-J
SCALE 6:1

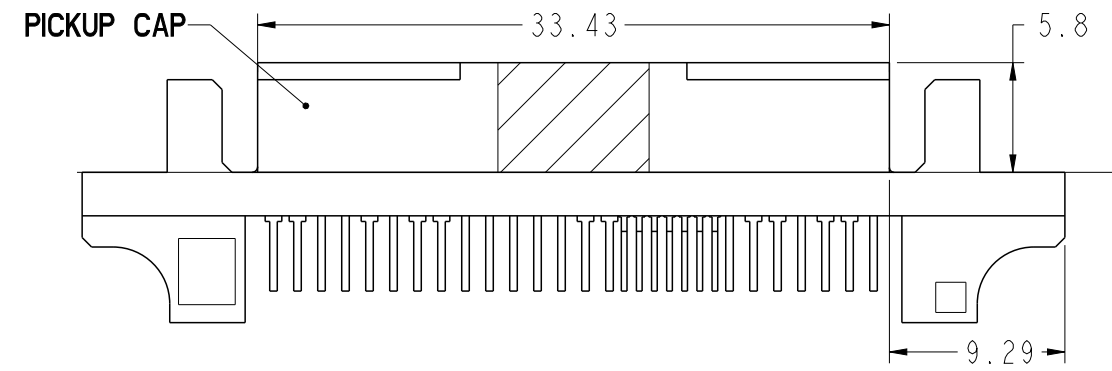
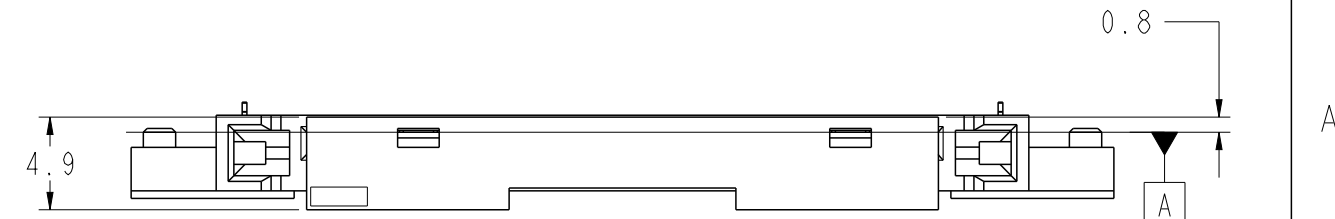


spec ref	dr	Suzie Nah	2015/01/26	projection	MM	size	A3	scale	3:1		
tolerance std	eng	Siew-Leong Lim	2016/07/19			ecn no	ELX-M-24521-1	rel level	Released		
ASME Y14.5	chr	Kok-Ong Tee	2016/07/20							product family	
	appr	Koon-Poh Tay	2016/07/26	Amphenol FCI			12G SAS PLUG R/A SMT	dwg no	10129900	rev	B
surface	linear	0.X	±0.25	cat. no.			Product - Customer Drw	sheet 2 of 4			
		0.XX	±0.15								
		0.XXX	±0.050								
ASME Y14.5	angular	0°	±2°								

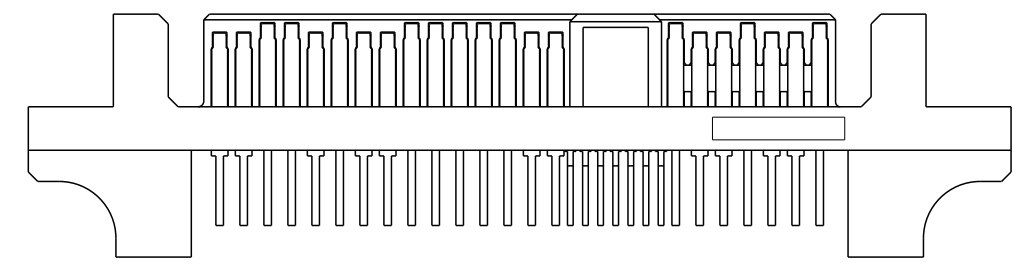
Amphenol
FCi

© 2016 AFCI

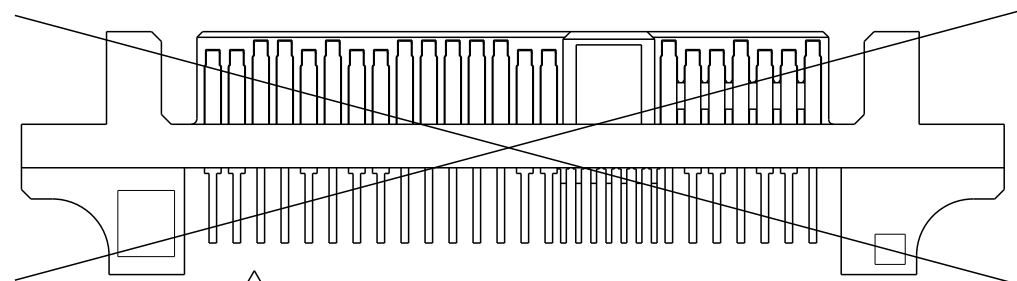
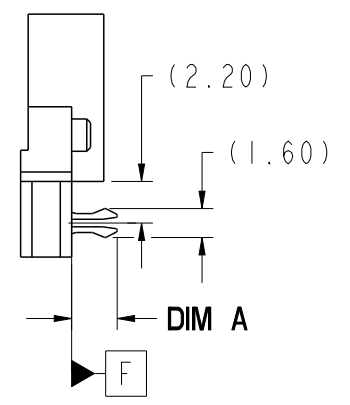
PRODUCT NUMBER	DIMENSION "A"	PCB THICKNESS	WITH ADHESIVE TAPE	WITH PICK-UP CAP	PACKAGING
10129900-001LF	2.40±0.15	1.60	NO		TRAY
10129900-002LF	2.00±0.15	1.20			TAPE & REEL
10129900-001TRLF	2.40±0.15	1.60			TAPE & REEL
10129900-001C-TRLF	2.40±0.15	1.60	N/A	10061860-003	TAPE & REEL
10129900-003C-TRLF	2.40±0.15	1.60			
10129900-004C-TRLF	2.00±0.15	1.20	10113739-001	10061860-003	TAPE & REEL



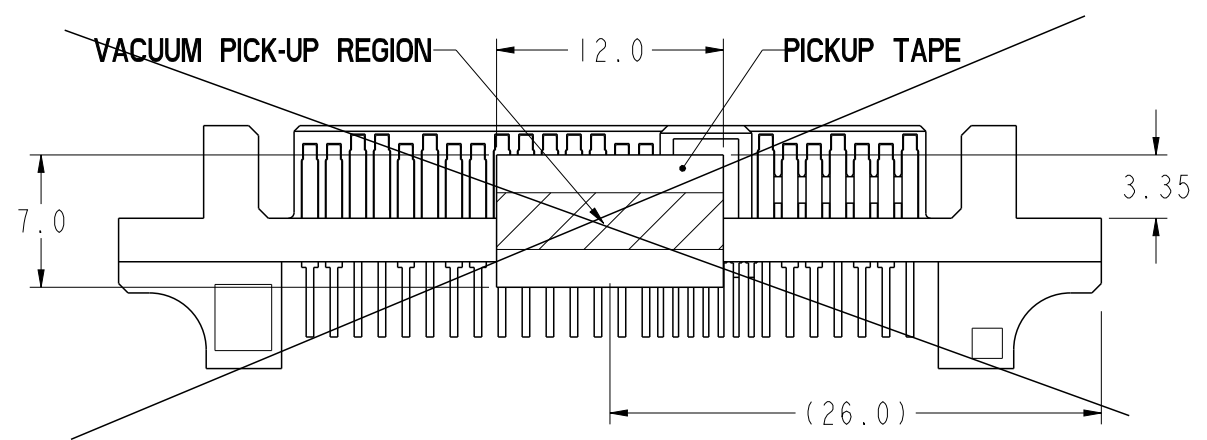
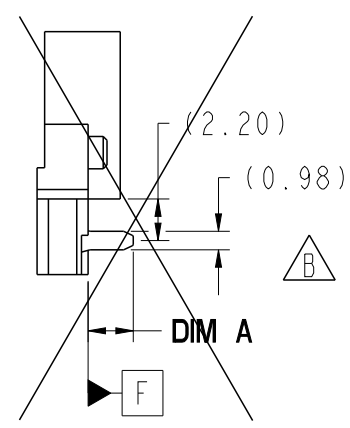
PLACEMENT OF PICKUP CAP



10129900-001/002



~~10129900-003/004~~

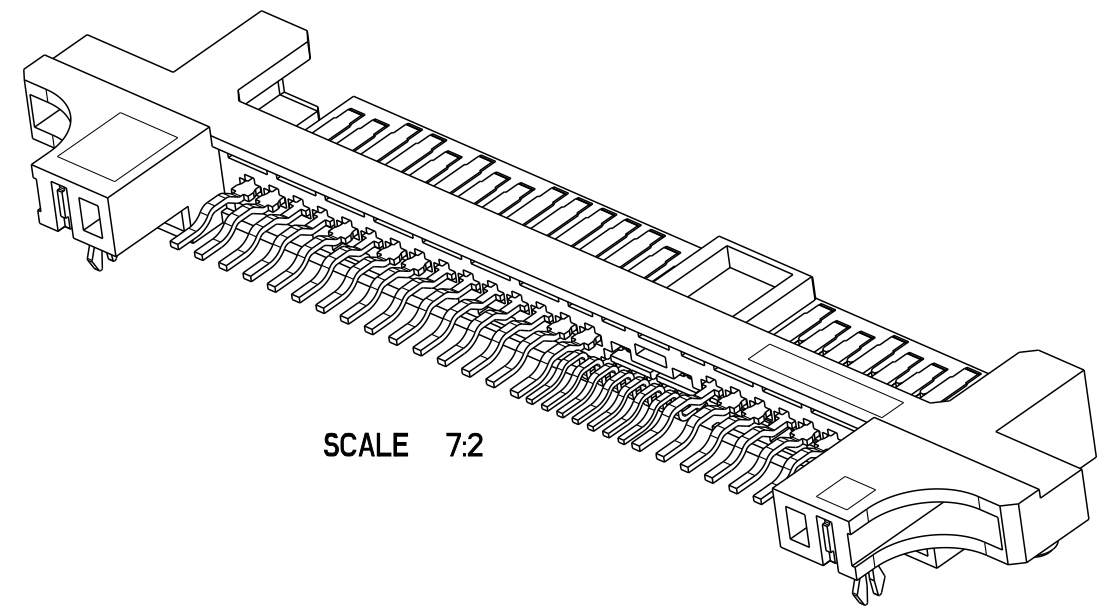
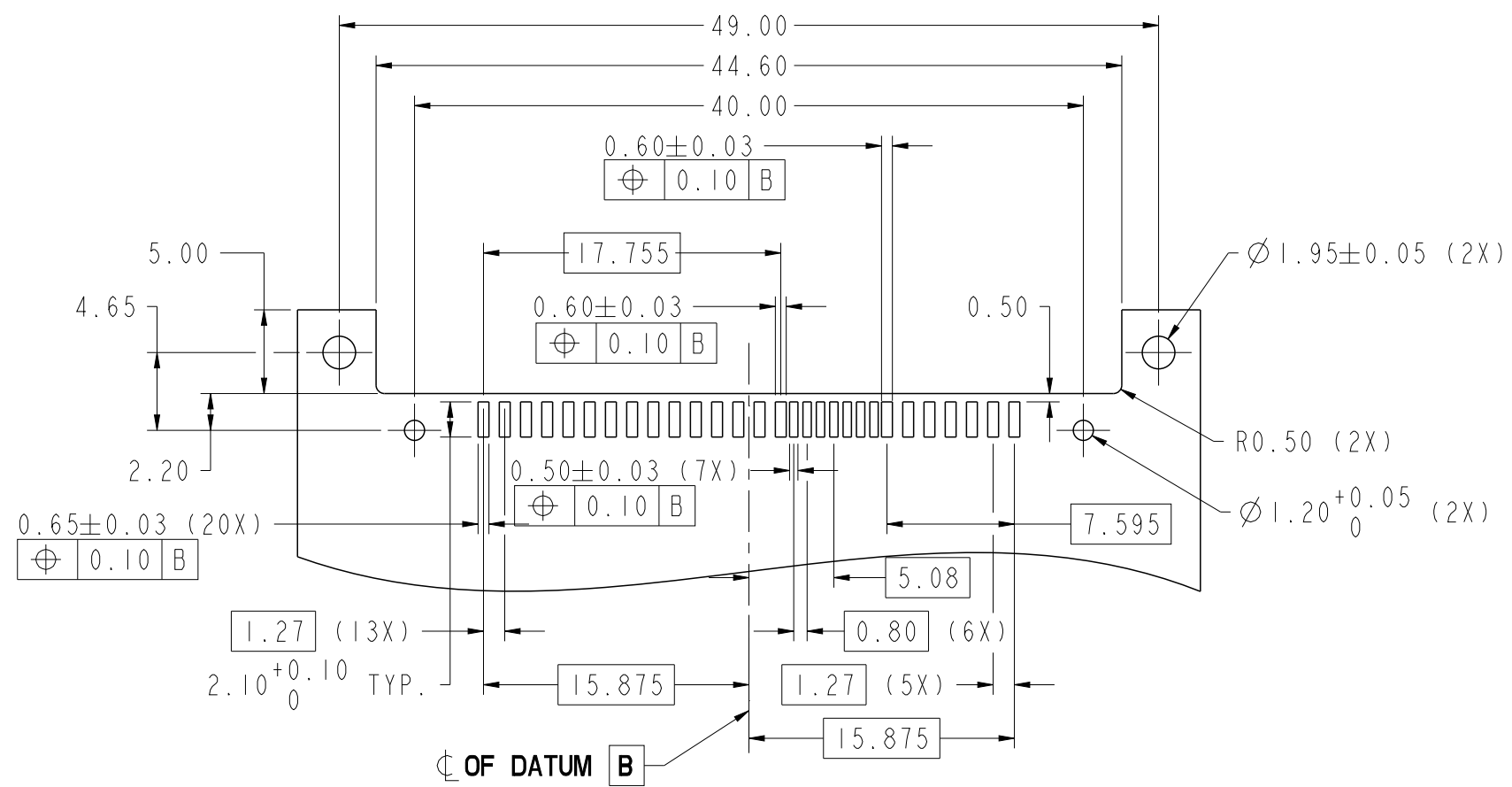


PLACEMENT OF PICKUP TAPE

Amphenol FCI

© 2016 AFCI

spec ref	dr	Suzie Nah	2015/01/26	projection	MM	size	A3	scale	3:1
tolerance std	eng	Siew-Leong Lim	2016/07/19			ecn no	ELX-M-24521-1		
ASME Y14.5	chr	Kok-Ong Tee	2016/07/20			rel level	Released		
surface	linear	0.X	±0.25	Amphenol FCI		12G SAS PLUG R/A SMT TYPE ASSY		dwg no 10129900	rev B
		0.XX	±0.15						
		0.XXX	±0.050	cat. no.		Product - Customer Drw		sheet 3 of 4	
ASME Y14.5	angular	0°	±2°						

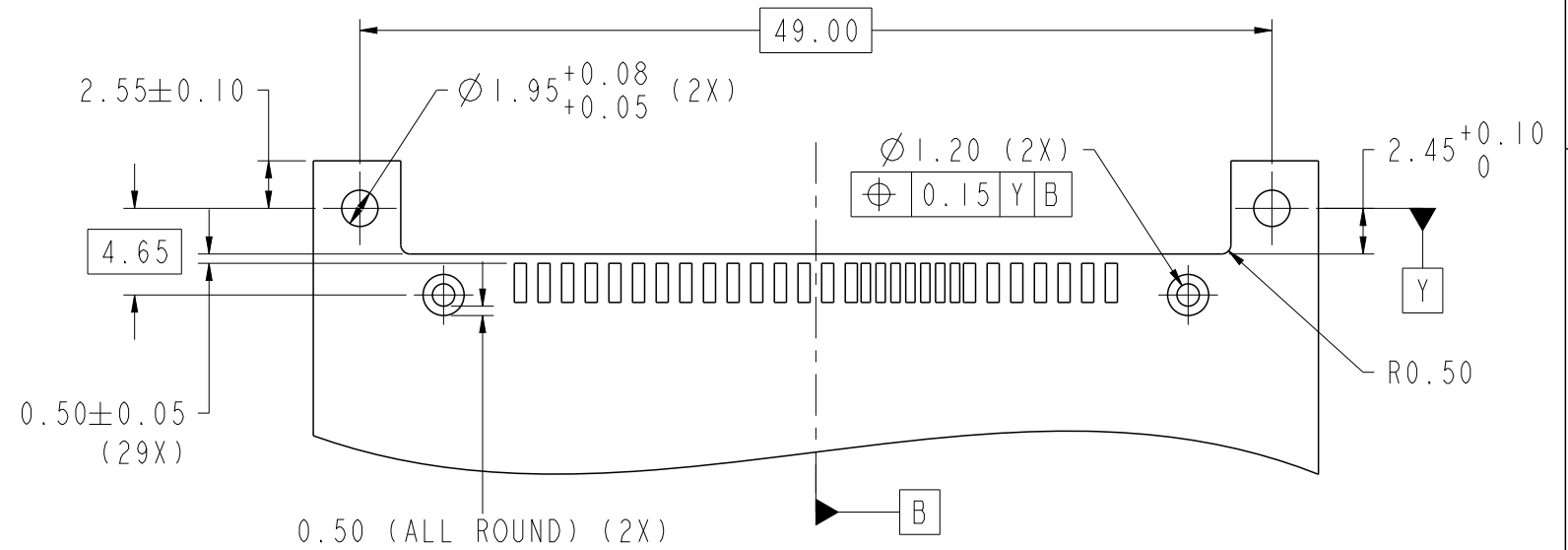


SCALE 7:2

NOTES:

- MATERIAL:
HOUSING: LCP UL94V-0
CONTACT & HOLD DOWN: COPPER ALLOY
- FINISH:
CONTACT: 1.27um Min. NICKEL UNDERPLATE OVERALL,
1.91um Min. 100% MATTE TIN(LEAD-FREE) ON SOLDER TAIL,
0.76um Min. GOLD ON CONTACT AREA
HOLD DOWN: 2.54um Min. 100% MATTE TIN(LEAD-FREE) OVER
1.27um Min. NICKEL UNDERPLATE OVERALL
- PRODUCT SPEC: GS-12-282
- PACKAGING SPEC: GS-14-952(TRAY); GS-14-1038(TAPE & REEL)
- THIS PRODUCT MEETS EUROPEAN UNION DIRECTIVES AND OTHER COUNTRY REGULATIONS AS DESCRIBED IN GS-22-008
- THE HOUSING WILL WITHSTAND EXPOSURE TO 260°C PEAK TEMPERATURE FOR 10 SECONDS IN A CONVECTION, INFRA-RED OR VAPOR PHASE REFLOW OVEN
- HOUSING WILL WITHSTAND EXPOSURE TO 260°C PEAK FOR 10 SECONDS IN A CONVECTION, INFRA-RED OR VAPOR PHASE REFLOW OVEN
- A SYMBOL $\triangle B$ WILL BE NEXT TO ANY DIMENSION, VIEW OR NOTE WHICH HAS BEEN MODIFIED WITH THE CURRENT DRAWING REVISION

RECOMMENDED PAD LAYOUT FOR 10129900-001/-002
SCALE 5:2



RECOMMENDED PAD LAYOUT FOR 10129900-003/-004
(GENERAL TOLERANCE: ±0.08)
SCALE 5:2

spec ref	dr	Suzie Nah	2015/01/26	projection	MM	size	A3	scale	3:1
tolerance std	eng	Siew-Leong Lim	2016/07/19			ecn no	ELX-M-24521-1	rel level	Released
ASME Y14.5	chr	Kok-Ong Tee	2016/07/20						
	appr	Koon-Poh Tay	2016/07/26	product family		dwg no		10129900	
surface	linear			Amphenol FCI		12G SAS PLUG R/A SMT TYPE ASSY		rev B	
ASME Y14.5	angular	0°	±2°	cat. no.		Product - Customer Drw		sheet 4 of 4	