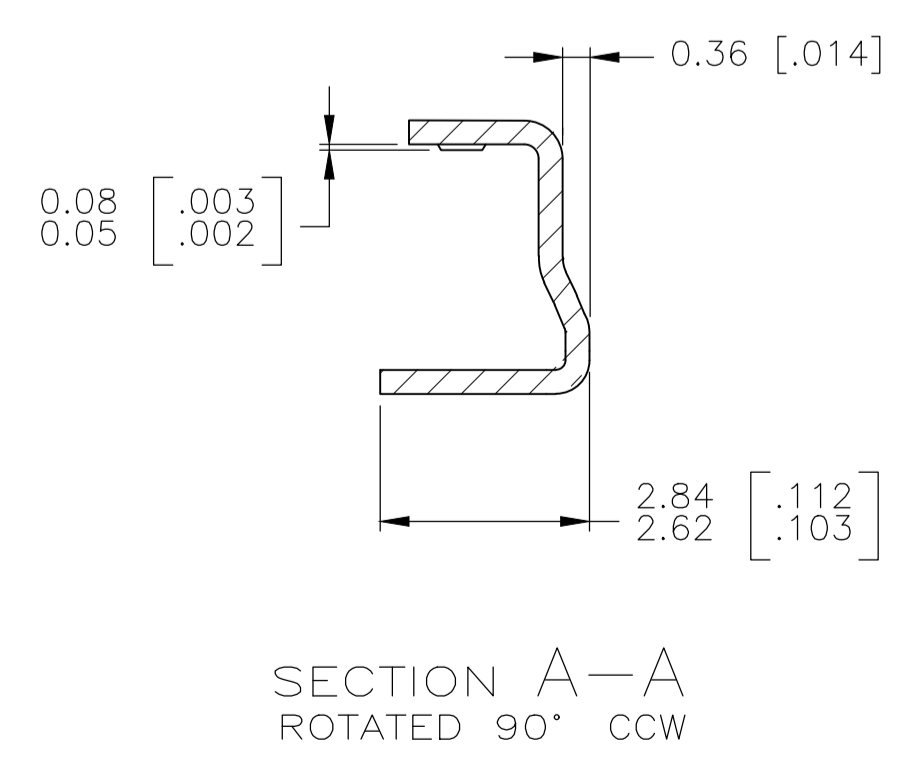
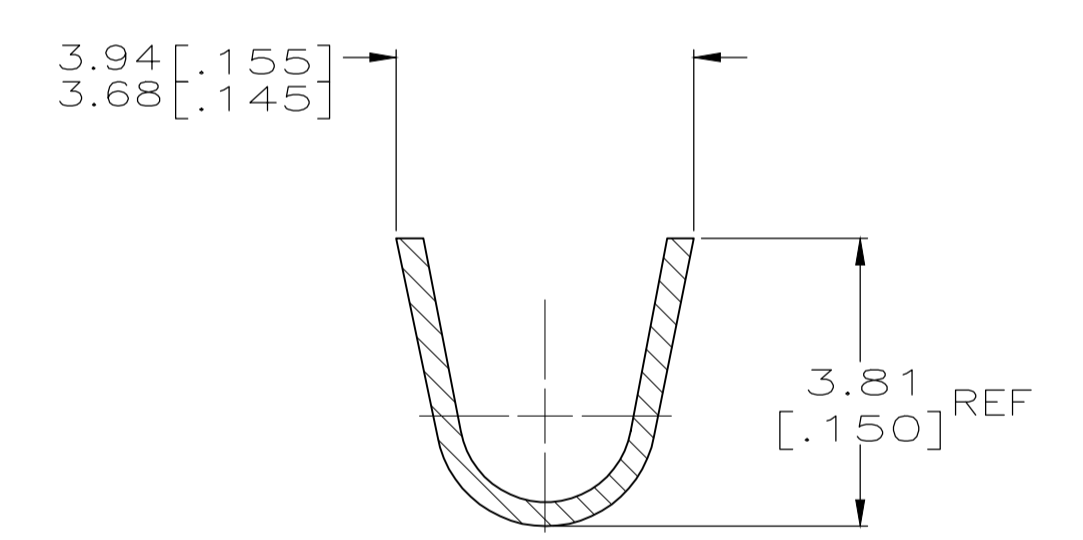
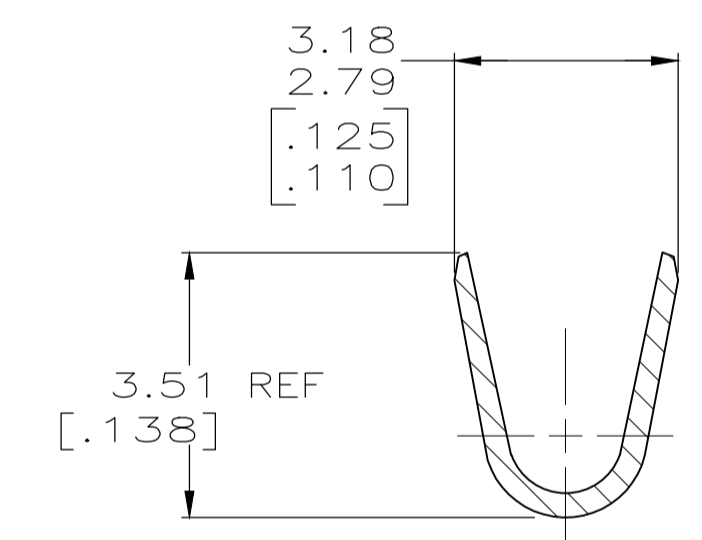
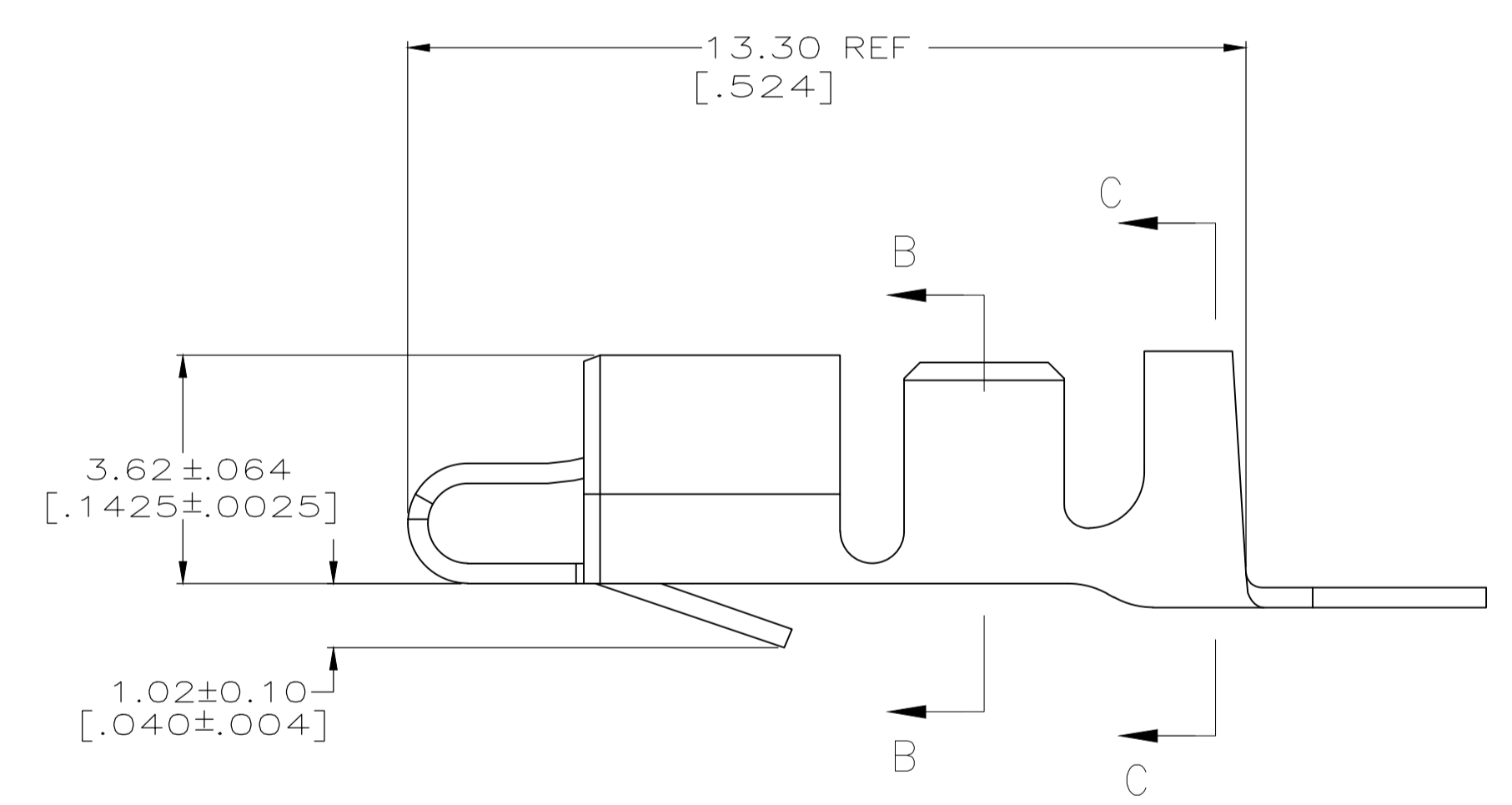
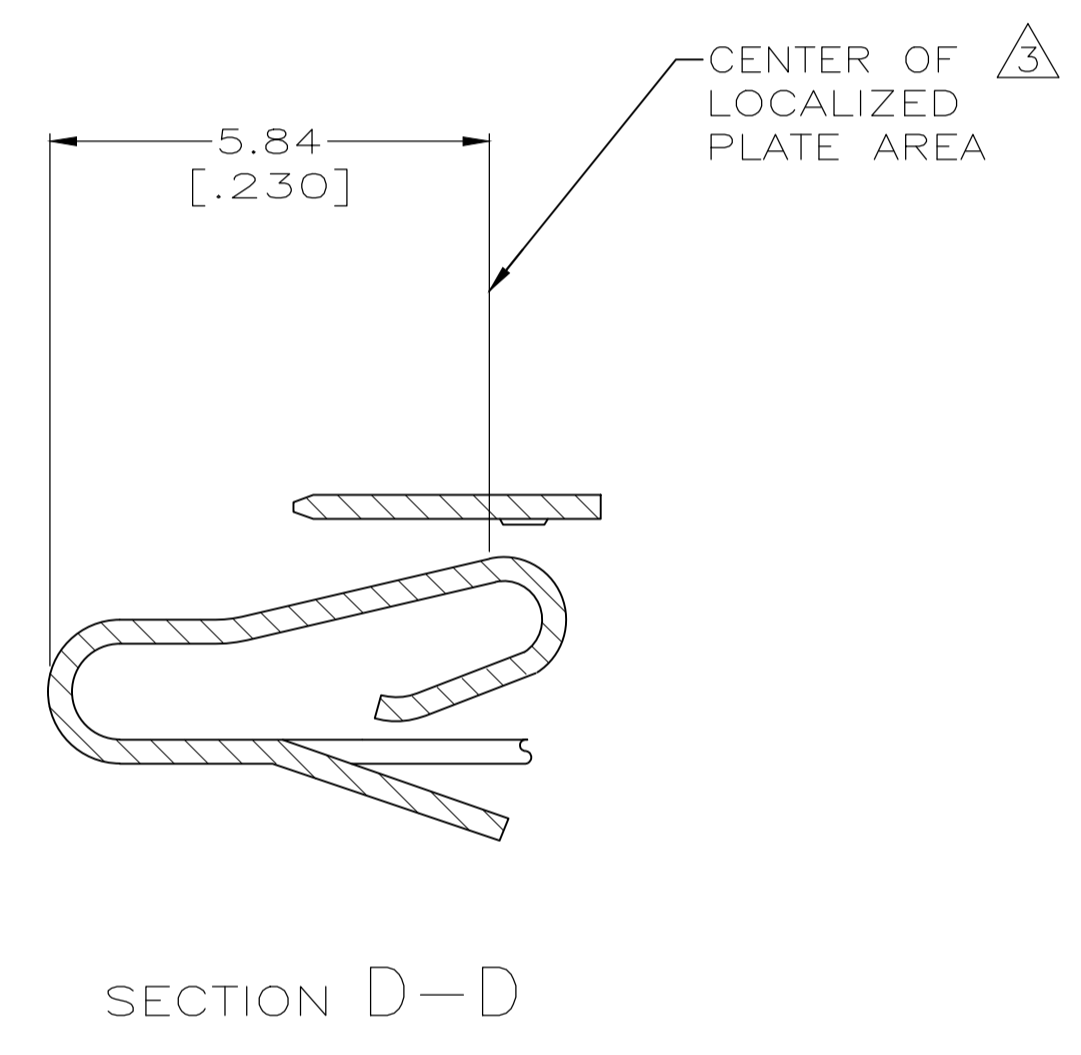
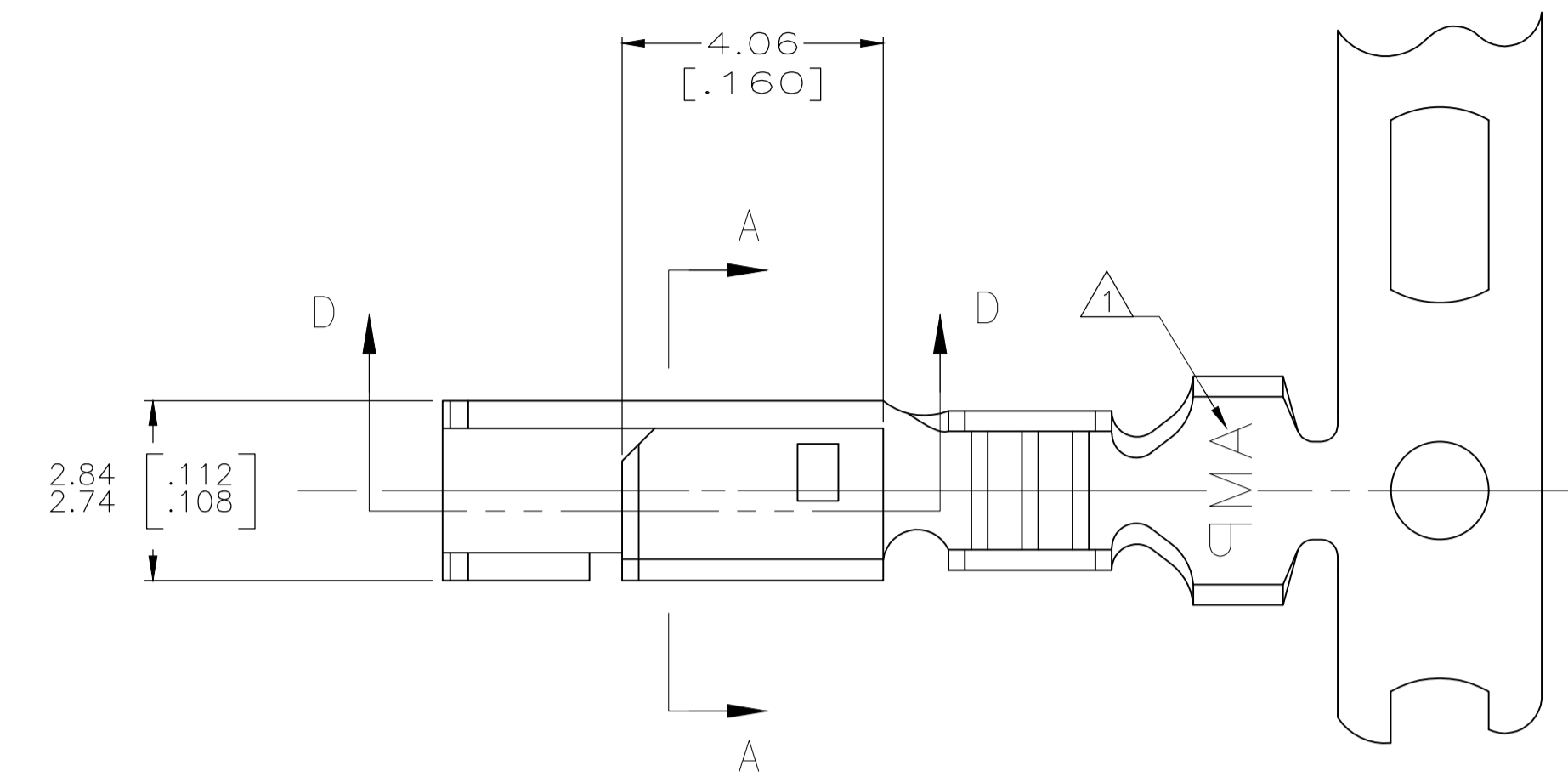


REVISIONS				
P	LTR	DESCRIPTION	DATE	BY
E		REVISED PER ECR-18-019874	19MAR2019	BDA SG

- INSULATION RANGE: 1.78-2.84 [.070-.112]  
WIRE RANGE: NOT TO EXCEED 2550-2800 CMA (1.29-1.42 mm<sup>2</sup>) (LIMITED 16 AWG RANGE).
- 0.00203 [.000080] MIN MATTE TIN-LEAD OVER  
0.00127 [.000050] MIN NICKEL.
- 0.00076 [.000030] MIN THICK GOLD STRIPES IN LOCALIZED PLATE AREA ON BEAM AND DIMPLE OVER  
0.00127 [.000050] MIN THICK NICKEL OVER ENTIRE CONTACT.
- DIMENSIONS IN BRACKETS ARE IN INCHES.
- FOR USE ONLY WITH LID STYLE HOUSING.
- 0.00203 [.000080] MIN MATTE TIN OVER  
0.00127 [.000050] MIN NICKEL.
- OBSELETE PARTS



6	3-647466-1
3	647466-2
2	647466-1
FINISH	PART NUMBER

THIS DRAWING IS A CONTROLLED DOCUMENT.		DWG: K. WHITAKER 18OCT2004	TE Connectivity Ltd.	
DIMENSIONS: mm [INCHES]		CHK: J. ELLIS 18OCT2004	SL-156 HOODED RECEPTACLE, LARGE WIRE CONTACT	
TOLERANCES UNLESS OTHERWISE SPECIFIED:		APVD: J. ELLIS 18OCT2004	NAME: 108-1049	
0 PLC ± -		PRODUCT SPEC: 108-1049		
1 PLC ± -		APPLICATION SPEC: 114-1021		
2 PLC ± 0.13 [.005]		SIZE: A1		
3 PLC ± -		CAGE CODE: 647466		
4 PLC ± -		DRAWING NO: 647466		
ANGLES ± -		RESTRICTED TO: -		
FINISH: SEE TABLE		WEIGHT: -		
MATERIAL: PH BRZ		CUSTOMER DRAWING		
		SCALE: 10:1		
		SHEET: 1 OF 1		
		REV: E		