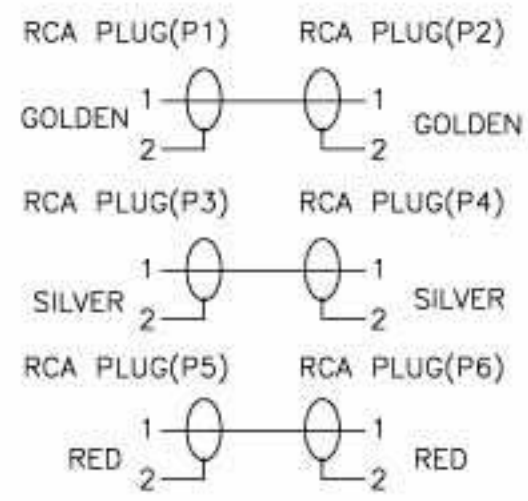
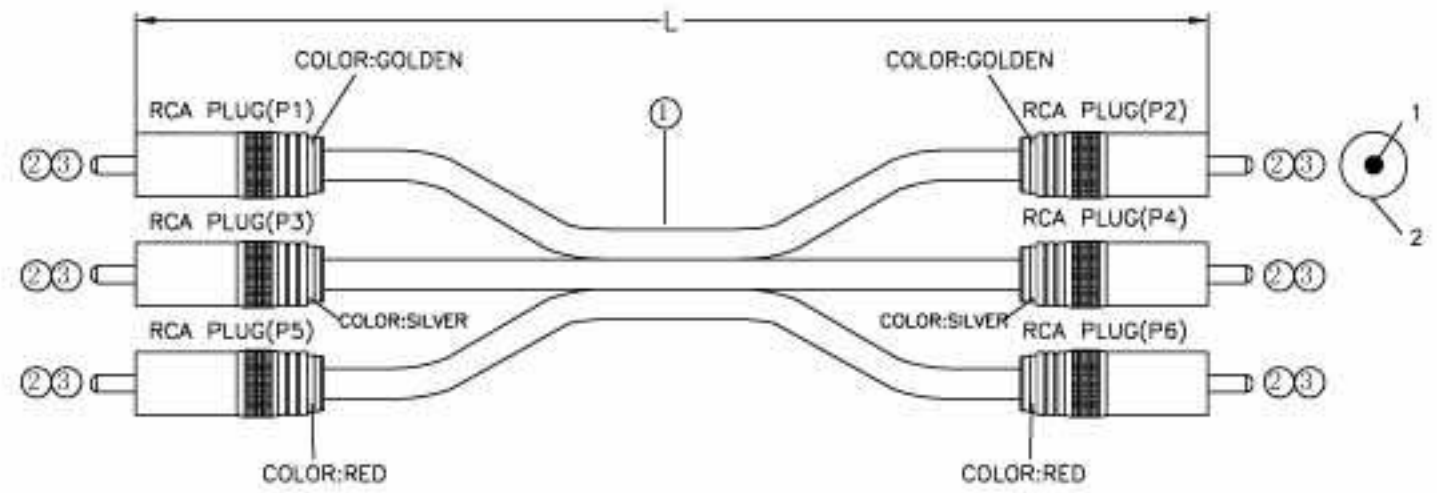


REVISION	DESCRIPTION	DATE
VO	NEW	2002.09.10



ITEM NO.	L
AK-AV504	1500±50
AK-AV505	5000±50

③	HEAT SHRINK: BLACK #5.0*8MM	6PCS
②	CONNECTOR: RCA PLUG GOLD PLATED #6.5MM SHIELD RING COLOR SEE DRAWN	6SET
①	CABLE: FLAT B.C(30/0.12+AL/MY+16/7/0.12)*3F D.D:6.0*6.0*6.0MM PVC JACKET COLOR:BLUE(CS-601)	1PCS
NO.	DESCRIPTION	QTY

DATE	18 DEC.2002	PARTS NO		TITLE:	3 X RCA PLUG-3 X RCA PLUG (ASSEMBLY TYPE)	DRAWN	W.L.Q	CHECK	APPRO	
UNIT	MM	DRAWN NO	N1409-2	<b>ASSMANN Electronics</b>						
SCALE	NO	BUYER NO	002							