

NOTES:

1. MATERIALS AND FINISHES:  
 BODY - PHOSPHOR BRONZE, NICKEL PLATING (.0001" THICK)  
 CONTACT - BRASS, GOLD PLATING (.00003" THICK)  
 FERRULE - BRASS, NICKEL PLATING (.0001" THICK)  
 INSULATOR - PTFE

2. ELECTRICAL:  
 A. IMPEDANCE: 75 OHM  
 B. FREQUENCY RANGE: DC - 4 GHz  
 C. VSWR(RETURN LOSS): 1.3 MAX.  
 D. DIELECTRIC WITHSTANDING VOLTAGE: 1500 VRMS, MIN.

3. MECHANICAL:  
 A. DURABILITY: 500 CYCLES MIN.  
 B. TEMPERATURE RANGE: -65° C TO +165° C

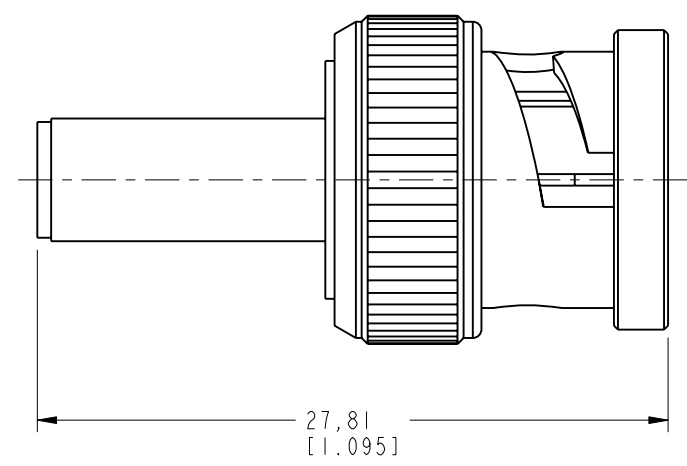
4. FERRULE TO BE CRIMPED WITH A .178 HEX DIE.  
 CONTACT TO BE CRIMPED WITH A .042 SQUARE DIE  
 OR A 8 PT CRIMPER AMPHENOL NUMBER 227-T1200

5 SHOWS CABLE ENTRY DIMENSIONS.

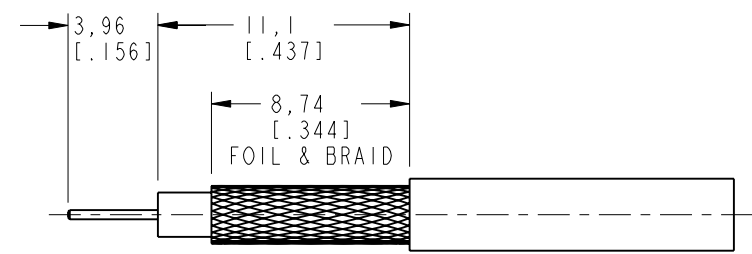
THIRD ANGLE PROJ.

REVISIONS

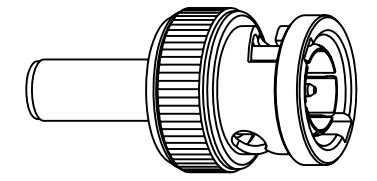
REV	DESCRIPTION	DATE	ECO	APPR
A	RELEASE TO MFG	4/11/05	45903	GSA
B	DANBURY: FR-54-44-51-37X127 WAS 31-12690-5NA ARFA: NO. 1,2,4,5,6 WERE CHANGED/RD-DM06021001K	6/13/05	45579	GSA
C	DANBURY: REDESIGNED FOR STANDARD PARTS; ARFA: CABLE STRIPPING WAS CHANGED/RD-DM06091501S	2/9/06	45903	GSA
D	ARFA: CRIMP TOOL WAS CHANGED/RD-DM08080401K DANBURY: ADDED SHEET 2 NOTE 4 ".....TOOL"	5/11/06	46083	CPM
E	SHEET 2 NOTE 4 WAS CHANGED	8/6/07	46681	TC
F	227-T1200 WAS CTL-T1200	7/30/08	47155	JL
G	STAMPING WAS CHANGED/RD-DM110825011	07-Sep-11	48757	SCOTT



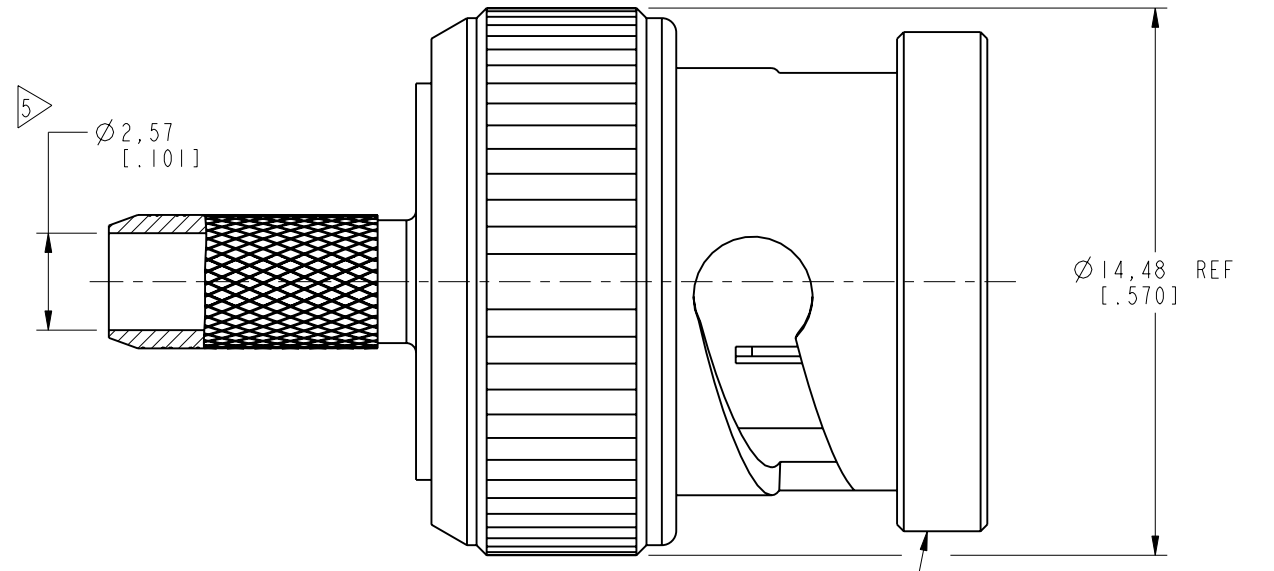
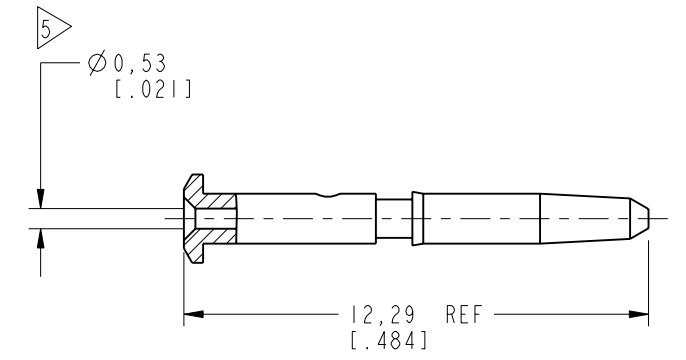
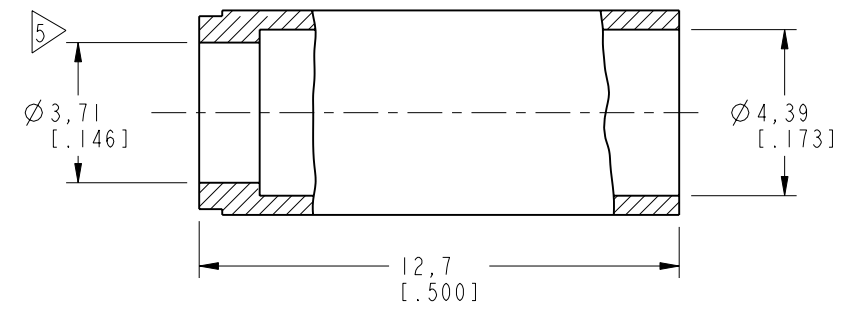
AFTER ASSEMBLY DIMENSIONS



RECOMMENDED CABLE STRIPPING DIMENSIONS



SCALE 1.500



**CUSTOMER OUTLINE DRAWING**  
 ALL OTHER SHEETS ARE FOR INTERNAL USE ONLY

UNLESS OTHERWISE SPECIFIED, DIMENSIONS ARE IN METRIC AND TOLERANCES ARE: <0.5mm ±0.05mm    0.5 - 6mm ±0.1mm    6 - 30mm ±0.2mm    30 - 120mm ±0.3mm    ANGLES ±1°  NOTICE - These drawings, specifications, or other data (1) are, and remain the property of Amphenol corp. (2) must be returned upon request; and (3) are confidential and not to be disclosed to any person other than those to whom they are given by Amphenol Corp. the finishing of these drawings, specifications, or other data by Amphenol Corp., or to any other person to anyone for any purpose is not to be regarded by implication or otherwise in any manner licensing, granting rights to permitting such holder or any other person to manufacture, use or sell any product, process or design, patented or otherwise, that may in any way be related to or disclosed by said drawings, specifications, or other data.	MATERIAL	DRAWN	DATE	TITLE	Amphenol RF Danbury CT USA, Tainan, Taiwan, Shenzhen, China www.amphenolrf.com
	SEE NOTE	I.XU	26-Aug-11		
	REFERENCE	ENGINEER	DATE	SCALE: 5.0:1.0   SHEET 2 OF 2	
	EAR# 1674 AND 611x-3996	G. ANTONINI	03-Mar-05	DWG SIZE B	
CONFIGURATION LEVEL: ***	APPROVED	DATE	REV	DRAWING NO. 31-80105	
FINISH	S.HSIEH	05-Sep-11	G	ITEM NO. 31-80105	
	CAD FILE			PART NO. 31-80105	