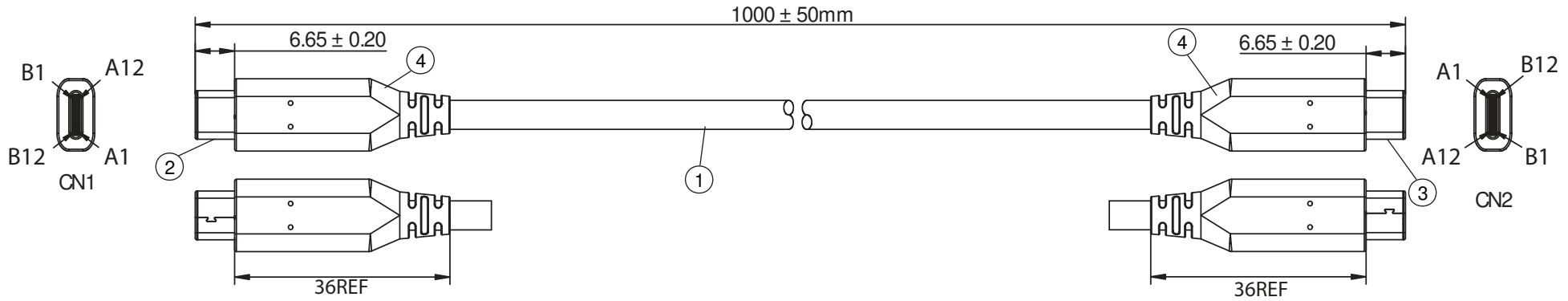
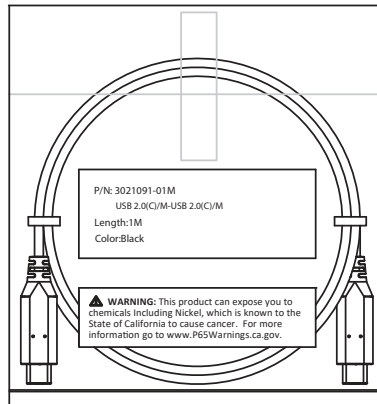


THESE DRAWINGS ARE THE PROPERTY OF QUALTEK ELECTRONICS AND NOT TO BE REPRODUCED FOR OR COMMUNICATED TO A THIRD PARTY WITHOUT THE EXPRESS WRITTEN PERMISSION OF AN OFFICER OF QUALTEK ELECTRONICS.

REVISION			
REV.	DESCRIPTION	DATE	APPROVED

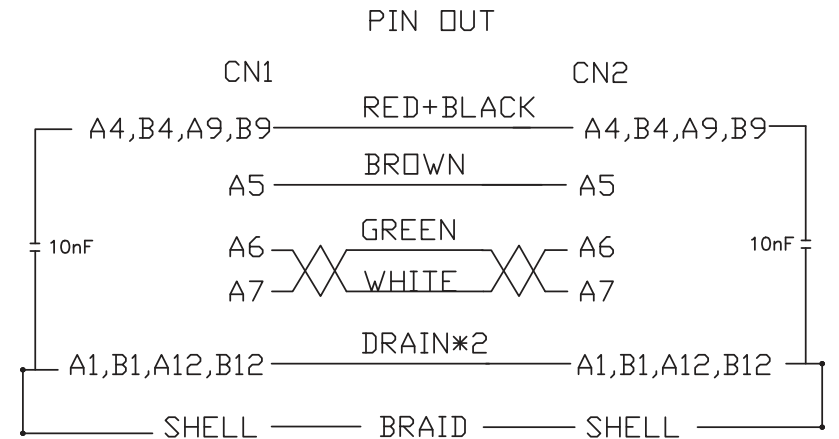


P/N: 3021091-01M
 USB 2.0(C)/M-USB 2.0(C)/M
 Length:1M
 Color:Black



NOTES:

- CABLE:** UL 2725
 30AWGx1PR+34AWGx2C+26AWGx2C+A2EB
 PVC OUTER JACKET: BLACK, OD: 3.5 ± 0.2mm
- CONNECTOR:** USB 2.0 TYPE C MALE
 INSULATOR: BLACK PBT
 PIN G/F
 NICKEL PLATED SHELL
- CONNECTOR:** USB 2.0 TYPE C MALE
 INSULATOR: BLACK PBT
 PIN G/F
 NICKEL PLATED SHELL
- PVC MOLDED:** COLOR V398 45P BLACK
- ELECTRICAL TEST:**
 - <1>.100% OPEN SHORT & MISS WIRE TEST
 - <2>.HI-POT: 50V AC/0.01 SEC 50V DC/0.01 SEC
 - <3>.INSULATION RESISTANCE: 10M OHM (MIN)
 - <4>.CONDUCTIVE RESISTANCE: 2 OHM (MAX)
 - <5>.CAPACITANCE DETECTION: 20nF ± 20% BETWEEN A1 AND A4
- DATA TRANSFER RATE UP TO 480Mbps (NOMINAL)**
- CURRENT RATING UP TO 3A (NOMINAL)**
- VOLTAGE RATING UP TO 20V (NOMINAL)**
- PACKING:** 1PC/POLYBAG/W/ LABEL



CONTROLLED

Dim range (mm)	Tolerance +/- (mm)	Qualtek Electronics Corp. WCI DIVISION		
		Part Number: 3021091-01M	RoHS Compliant	
0-1	0.15	Description: USB 2.0(C)/M - USB 2.0 (C)/M		
1-6	0.20	UNIT: mm		
6-18	0.30	Drawn / Date	Checked / Date	Approved / Date
18-50	0.50	R Nuti 10-02-18	10-02-18	LY / 10-02-18
50-120	0.70			
120-250	0.90			
250-500	1.20			