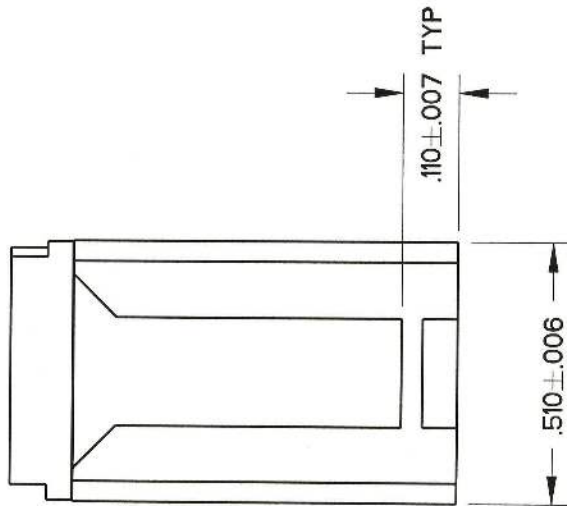
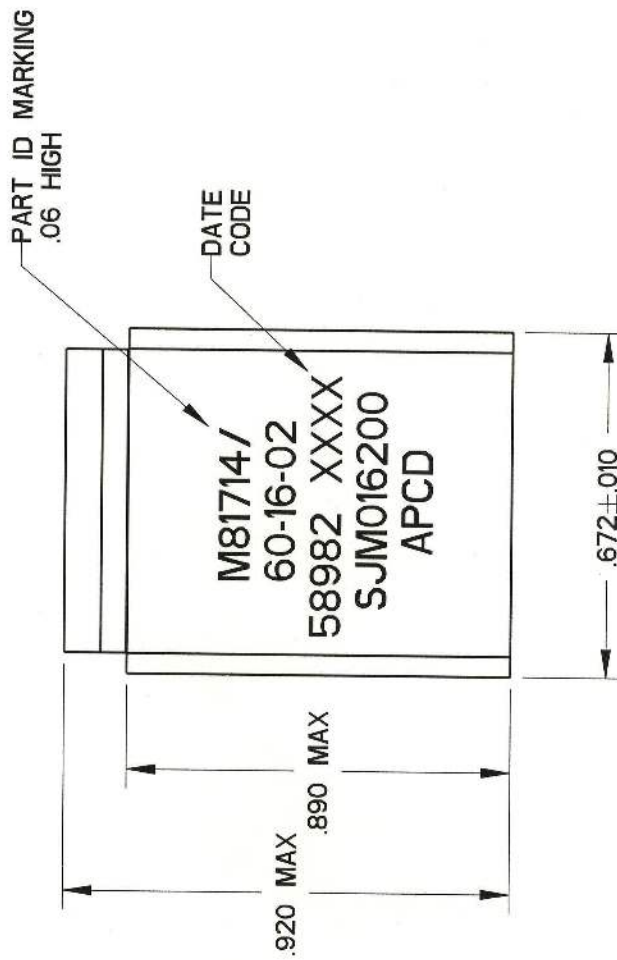
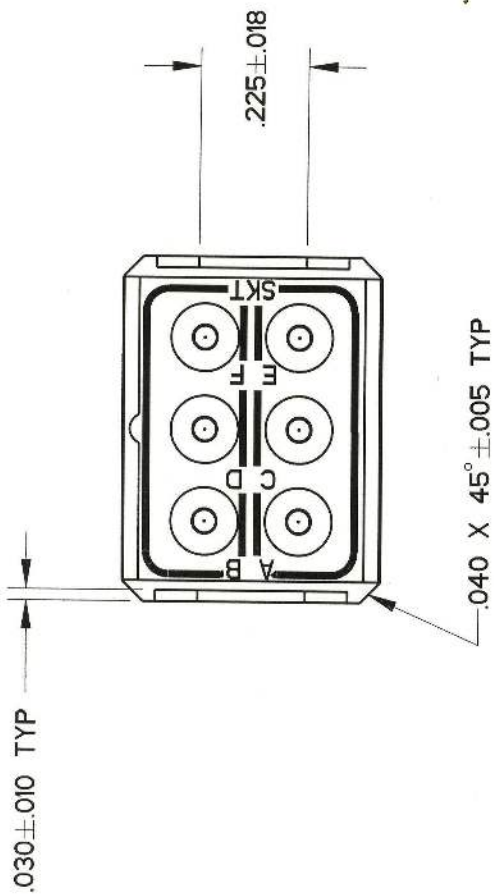
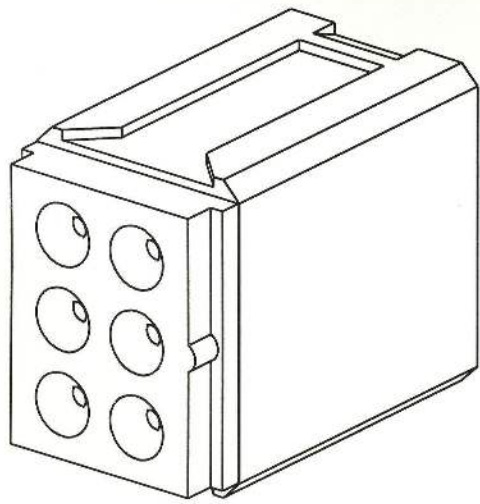


| | | |
|-----|------|------|
| REV | ECN | APPD |
| J | 5968 | APPD |



NOTES:

1. PART MEETS ALL REQUIREMENTS OF MIL-T-81714/60
2. MATERIALS:
GROMMET - SILICONE RUBBER PER A-A-59588
BODY - POLYETHERIMIDE PER ASTM-D-5205
INTERNAL CONTACT - BRASS PER ASTM-B16, GOLD PLATED PER SAE-AMS-2422
CONTACT RETAINER CLIPS - STAINLESS STEEL PER ASTM-A666
3. PART ACCEPTS M39029/22-193 SOCKET CONTACTS. SEE TABLE

| APCD P/N | SUPPLIED | | MARKING | |
|-----------|----------|-------|---------------|-----------------|
| | SKTS | PLUGS | APCD PART NO. | MIL. NO. |
| SJM016200 | 7 | 2 | SJM016200 | M81714/60-16-02 |
| SJM016201 | - | - | - | - |

| | | | |
|--|--|---|--|
| Amphenol Pcd SPECIFICATION DRAWING DRWN R. SWAINE 10/2/06 ENGR [Signature] 10/3/06 APPD [Signature] 10-4-06 | | SOCKET JUNCTION MODULE SIZE 16, 2-BUS | |
| DIMENSIONS ANSI Y14.5M UNITS: INCHES Pro/E FILE | TOLERANCES XX ±0.01 XXX ±0.005 ANGLES ±2.0° | PROJECTION | TITLE SOCKET JUNCTION MODULE SIZE 16, 2-BUS |
| ORIGINAL | THIS DOCUMENT CONTAINS PROPRIETARY INFORMATION WHICH IS THE CONFIDENTIAL PROPERTY OF AMPHENOL PCD INC., PEABODY, MA | | SIZE B DWG NO. SJM016200_C REV J |
| CODE: 58982 SCALE: 8:3 | | SHEET 1 OF 1 | |