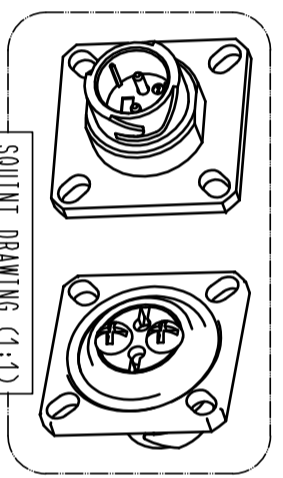
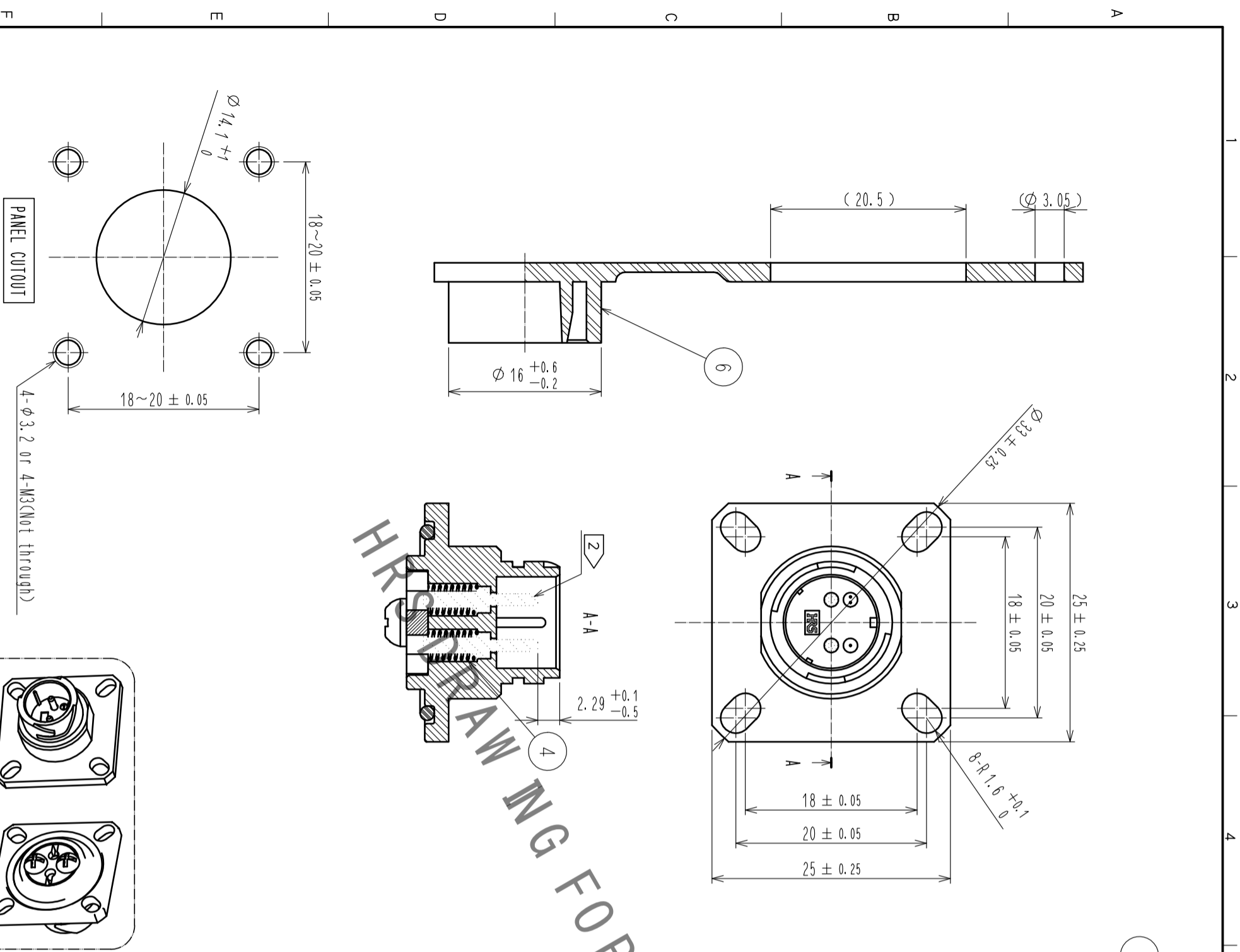


In case of consideration for using Automatic equipment/device which demand high reliability, kindly contact our sales window correspondents.

FORM HCO011-5-7 1 2 3 4 5 6 7 8



NOTE
 1 These dimensions indicate the condition after cable assembly.
 2 Ferrules are not included in this product. MU ferrules are separately available.

3	SYNTHETIC RESIN		6	SYNTHETIC RUBBER	
2	SYNTHETIC RUBBER		5	STAINLESS STEEL	
1	ZINC DIE CASTING	CHROME PLATING (BLACK)	4	PLANO WIRE	
MATERIAL		FINISH . REMARKS	MATERIAL		FINISH . REMARKS
UNITS	SCALE	COUNT	DESCRIPTION OF REVISIONS	DESIGNED	CHECKED
mm	2 : 1				DATE
APPROVED : MT. SHIBUTANI		18.02.02		DRAWING NO.	
CHECKED : FS. YOSHIDA		18.02.02		PART NO.	
DESIGNED : TY. SATO		18.02.02		CODE NO.	
DRAWN : MK. INOUE		18.02.02		CL709-1008-2-31	
EDC-176888-31-00		MF10B-WRFH01-0200(31)		CL709-1008-2-31	

